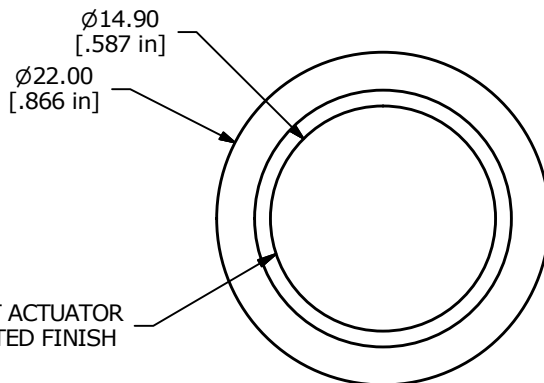
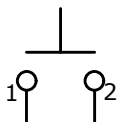
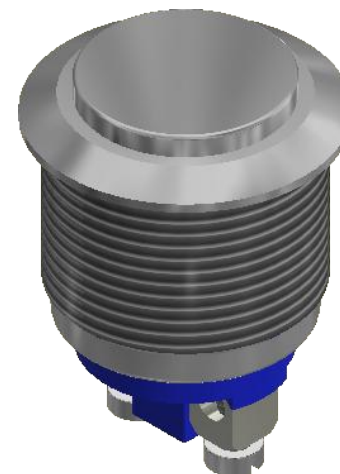


PANEL MOUNTING  
MAX. PANEL THICKNESS 8.0mm



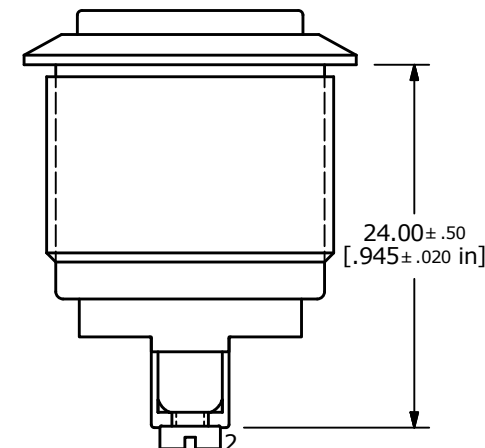
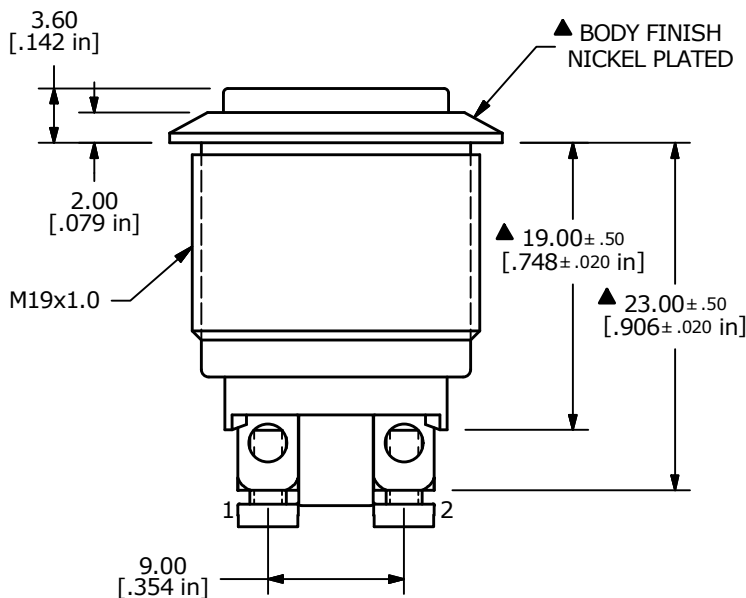
▲ RAISED FLAT ACTUATOR  
NICKEL PLATED FINISH



▲ CIRCUIT: SPST

SWITCH FUNCTION	
POS. 1	POS. 2
OFF	(ON)
OPEN	1-2

(ON) = MOMENTARY



- NOTE:
1. ALL DIMENSIONS IN MM [INCH]
  2. GENERAL TOLERANCE: X.X = ± 0.4  
X.XX = ± 0.25
  3. TERMINAL NOS. FOR REF. ONLY
  - ▲ 4. FUNCTION: SPST
  - ▲ 5. RATING: 2A @ 36VDC
  6. CONTACT RESISTANCE: 50mΩ MAX. @ 1A 12VDC
  7. INSULATION RESISTANCE: 1,000MΩ @ 500VDC
  8. DIELECTRIC STRENGTH: 2,000VAC MIN. FOR 1 MINUTE
  9. ELECTRICAL LIFE: 200,000 CYCLES
  10. CONTACT MATERIAL: SILVER PLATED COPPER
  11. OPERATING TEMPERATURE: -20°C TO 55°C
  12. INGRESS PROTECTION: IP65
  13. ▲ DENOTES CRITICAL PARAMETER
  - ▲ 14. HARDWARE INCLUDED: HEX NUT AND O-RING (NOT SHOWN)



C	23593	UPDATED RATING TO 2A @ 36VDC	10/5/18	MJR
B	20339	CORRECT TEMP RATING AND CONVERT	12/15/11	BMA
REV	PCR NO	DESCRIPTION	DATE	BY

TITLE PV1H640NN				
SCALE	DATE	DR	DWG	REV
2:1	12/15/2011	BMA	52-PV1H640NN	C

THE INFORMATION CONTAINED IN THIS DOCUMENT IS PROPRIETARY TO E-SWITCH AND IS NOT TO BE COPIED OR TRANSFERRED