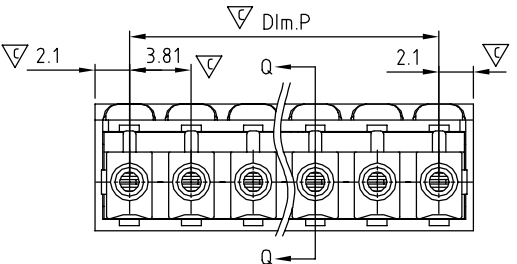
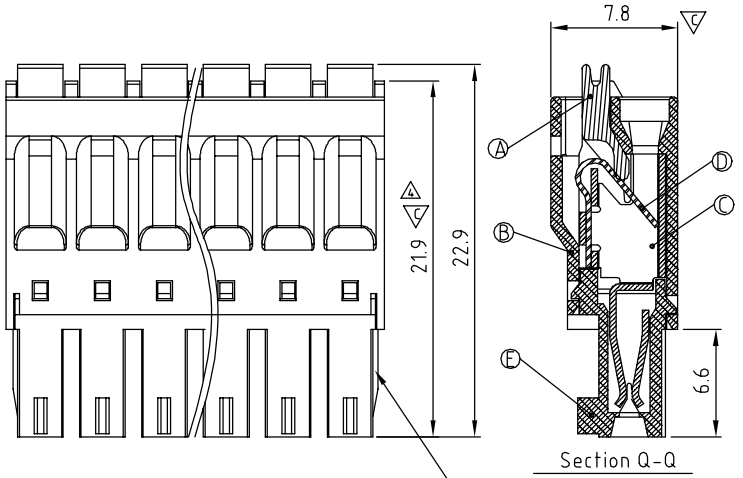
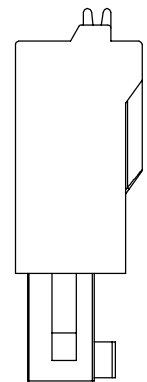
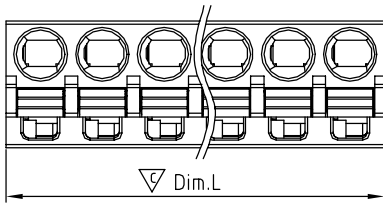


SIGN	DATE	DESCRIPTION	APPROVER
△	05/28/11	Voltage rating is changed from 160 V to 300 V	Steven
△	05/28/11	Withstanding Voltage is changed from 132 Kv to 1.6 Kv	Steven
△	05/28/11	Add "cULus" Safety Approval logo	Steven
△	05/28/11	The dimension is added	Steven

THIS IS CAD DRAWING, DO NOT REVISE MANUALLY!!!



2P~6P Ribs on both sides,
7P~24P No rib

- Material:
- Item A Terminal lever: Thermoplastic (UL94V-0)
 - Item B Terminal top housing: Thermoplastic (UL94V-0)
 - Item C Female contact : PhBz Tin Plated.
 - Item D Spring clamp : Stainless steel
 - Item E Terminal down housing: Thermoplastic (UL94V-0)
- Electrical: cULus
- △ Voltage rating: 300 V
 - Current rating: 5.5 A
 - Wire range:
 - Solid wire(AWG): 16-24
 - Stranded wire(AWG): 16-24
 - Wire strip length: 9-10 mm
 - △ Withstanding Voltage: 1.6 KV
 - Operating temperature: -40°C to +115°C
 - △ Safety Approval:
 - Critical dimension:

KD xx 3 0 x 0 xxxx G

No. OF POLES _____ G: Pb<40000ppm

02: 2 POLES
:
24: 24 POLES

COLOR _____

0: BLACK
5: GREEN (RAL 6018/T)
6: BLUE
8: GREY (RAL 7035/D)

0000: "@" Logo (Standard)
000A: "ANYTEK" Mark
Any special item by customer request.
please contact sales department.

Dimension

DIM.P	(N-1)×3.81
DIM.L	N×3.81+0.39

N=Number of poles

	TOL			
	2p-6p	7p-12p	13p-16p	17p-24p
Dim.P	±0.15	±0.20	±0.25	±0.30
Dim.L	±0.15	±0.25	±0.30	±0.40

ANYTEK				CUSTOMER COPY			
ALL RIGHTS RESERVED. REPRODUCTION OR ISSUE TO THIRD PARTIES IN ANY FORM WHATSOEVER IS NOT PERMITTED WITHOUT WRITTEN AUTHORITY FROM THE PROPRIETOR. PROPERTY OF ANYTEK TECHNOLOGY CO., LTD							
TITLE		KD 3.81mm W/O Flange Series					
PART NO.		KDxx30x0xxxxG			DWG NO.		8KD0301
APPROVED		CHECKED	DESIGNED	DRAWN	CUST NO.		Tolerance
			Steven 2011.05.28	Runner 2010.05.12			X. ±0.50 X.X ±0.30 X.XX ±0.10 X° ±1°
						UNIT: mm	
				SHEET: 01/01		SCALE: NONE	
						REV.: C	