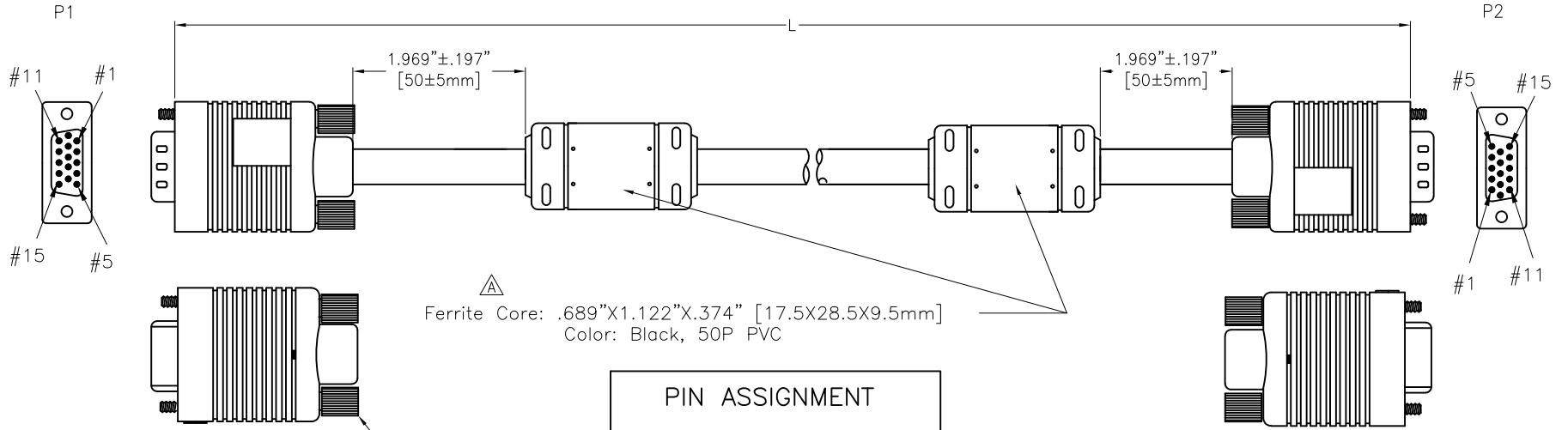


APPROVED: _____
 DATE: _____ TITLE: _____

Rev	AWO #	Description	Date	Appr
-		RELEASED	10/13/15	
A		UPDATE DIM.	9/27/19	AY/JC

CUSTOM CABLE ASSEMBLIES ARE NON-CANCELLABLE/NON-RETURNABLE



Ferrite Core: .689"X1.122"X.374" [17.5X28.5X9.5mm]
 Color: Black, 50P PVC

Screw: Q39.6, Color: Black

PIN ASSIGNMENT

P1		P2
1	COAX-RED-IN	1
6	COAX-RED-GND	6
2	COAX-GRN-IN	2
7	COAX-GRN-GND	7
3	COAX-BLU-IN	3
8	COAX-BLU-GND	8
4		4
5		5
10		10
11		11
12		12
13		13
14		14
15		15
S		S

ADAM P/N	L
CA-VGA-M/M-3FT	36.024" ± 1.181" [915 ± 30mm]
CA-VGA-M/M-6FT	72.047" ± 1.969" [1830 ± 50mm]
CA-VGA-M/M-10FT	120.079" ± 1.969" [3050 ± 50mm]

SPECIFICATIONS:

Connector:
 P1=P2= High Density D-Sub Connector 15P, VGA Plug,
 Insulator Color: Blue, Overmold Color: Black, 50P PVC

Cable:
 UL2919, 28/28-3C/9+A+D+B, OD: .315" [8mm], Jacket Color: Black <AL-Braid>

Electrical Test:
 All Assemblies must be 100% Tested for
 Shorts, Open, Continuity, and Physical Appearance.

Environmental:
 Lead free, RoHS compliant



UNLESS OTHERWISE SPECIFIED
 ALL DIMENSIONS ARE INCHES [MM]
 TOLERANCES: EXCEPT AS NOTED

INCHES		HOLES	
.X	± .10	Ø.X	± .10
.XX	± .020	Ø.XX	± .015
.XXX	± .015	Ø.XXX	± .010

ADAM TECH INTERCONNECTS
 909 Rahway Avenue,
 Union, NJ 07083
 Phone: 908-687-5000
 Fax: 908-687-5710

APPROVALS		DATE
DRAWN	HR	10/13/15
CHECKED	TW	10/13/15
APPROVED		

TITLE			
CUSTOM ASSEMBLY, VGA PLUG TO VGA PLUG			
SIZE	PART NO.	REV.	
X	CA-VGA-M/M-XFT	A	
REF:	S00087T	SCALE:	NTS
		SHEET 1 OF 1	