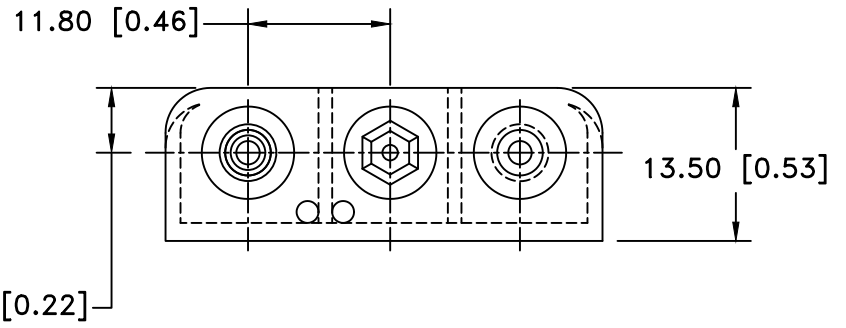
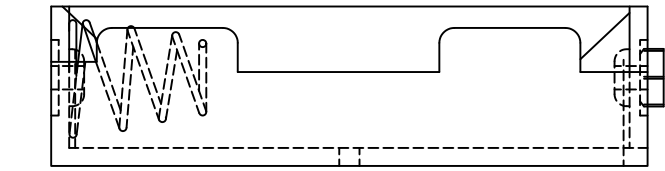
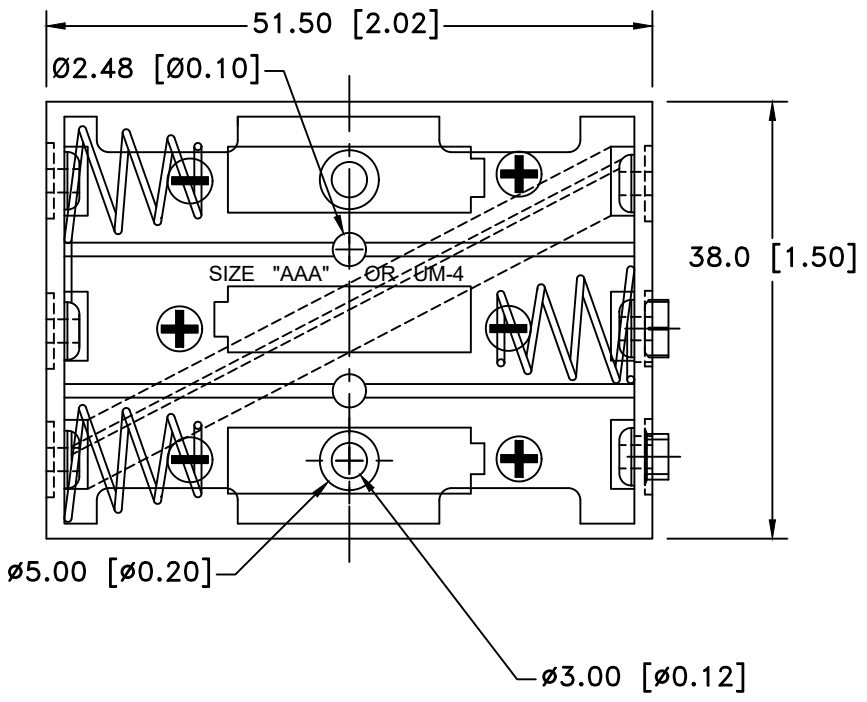



Date	SYM	REVISION RECORD	AUTH	DR.	CK.
07/07/17	D	DIM. 38.0 WAS 37.0 DIM. 2.48 WAS 2.82	T.B.	B.S.	
03/06/19	E	UPDATED TO "ROHS COMPLIANT"	T.B.	B.S.	



NOTES:

1. MATERIAL:
HOUSING : BLACK POLYPROPYLENE
FLAMMABILITY RATING -UL94-HB, UL FILE NO. E216959
TEMPERATURE RANGE: -10°C to +100°C
RIVETS: BRASS, NICKLE PLATED.
SPRING: SPRING STEEL, NICKLE PLATED.
9 VOLTS SNAPS: BRASS, NICKLE PLATED.
CONTACT RESISTANCE: UNDER 50mΩ FOR +/- CONTACTS PER EIA-540J000
ROHS COMPLIANT

MOUNTING INSTRUCTION:
USE 2-56 MACHINE SCREWS OR EYELETS 0.089" OD BY 0.15" FLANGE STIMPSON GS-3 SERIES OR EQUIVALENT. ALSO ADHESIVES AND DOUBLE SIDED TAPES WORK WELL.

Tolerance (Except as noted)	 Memory Protection Devices, Inc 200 Broad Hollow Road, Farmingdale, New York 11735		
decimal ±.5 (.020)		Scale	Drawn By B.S.
Fractional ± .8 (.030)	Title THREE "AAA" CELL HOLDER WITH SNAP FASTENERS		
Angular ± 3°	Date 03/06/19	Drawing Number BC3AAASF	
			Approved By T.B.