

AU series

- Snap-in type 105°C 2000 hours specially designed for audio equipment
- Select structural materials with high sound quality
- Create high definition audio equipment with high sound quality
- Suitable for high quality audio equipment
- RoHS Compliant



SPECIFICATIONS

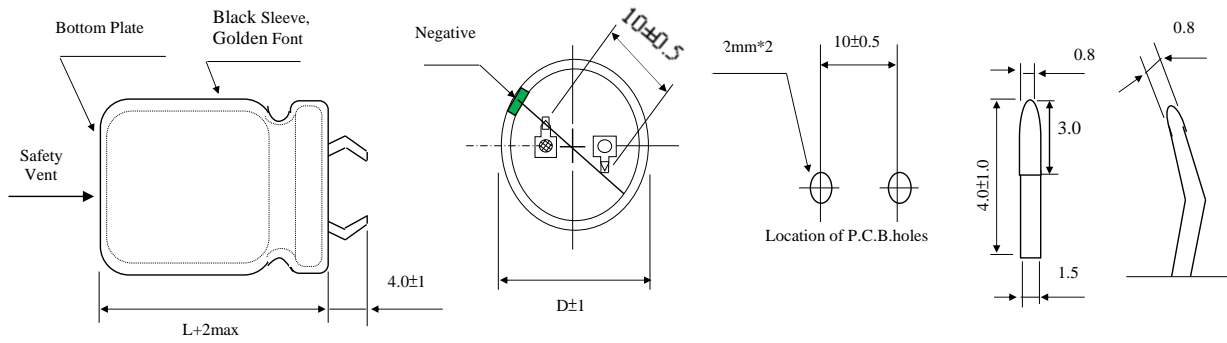
Items	Characteristics						
Capacitance Tolerance	±20% (M)						
Operating Temperature Range	-40°C ~ +105°C			-25°C ~ +105°C			
Rated Voltage Range	16 ~ 250VDC			400 ~ 450VDC			
Leakage Current	$I \leq 3\sqrt{CV}$ (µA) or 5mA, which is smaller. (After 5 minutes application of DC rated voltage at 20°C)						
Dissipation Factor (tan δ)	Measurement Frequency: 120Hz. Temperature: 20°C						
	Rated Voltage(V)	16	25~75	80~100	180	200~400	450
	tanδ (Max)	0.35	0.30	0.25	0.15	0.15	0.20
Low Temperature Stability	Measurement Frequency: 120Hz						
	Rated Voltage(V)	16~250			400~450		
	Z(-25°C) / Z(20°C)	4			8		
Impedance Ratio(Max)	Z(-40°C) / Z(20°C)			12			-
	2000 hours with application of rated voltage at 105°C						
Load Life	Capacitance Change	within ±20% of Initial Value					
	tan δ	200% or less of Initial Specified Value					
	Leakage Current	Initial Specified Value or less					
Shelf Life	The following specifications shall be satisfied when the capacitors are restored to 20°C after exposing them for 1000 hours 105°C without voltage applied. Before the measurement, the capacitance shall be preconditioned by applying voltage according to them 4.1 of JIS C5101-4.						
	Capacitance Change	Within ±20% of Initial Value					
	tan δ	200% or less of Initial Specified Value					
	Leakage Current	Initial Specified Value or less					
Standards	JIS C 5101-4-1 (IEC 60384)						

Frequency Coefficient of Permissible Ripple Current

Rated Voltage (V)	Frequency (Hz)					
		120	300	1K	10K	50K
16~250	0.81	1.00	1.17	1.32	1.45	1.50
400~450	0.77	1.00	1.16	1.30	1.41	1.43

The endurance of capacitors is reduced with internal heating produced by ripple current at the rate of halving the lifetime with every 5°C rise. When long life performance is required in actual use, The rms ripple current has to be reduced.

DIMENSIONS(mm)



Electric Characteristics

Su'scon P/N	Cap. (μF)	Cap. Tol. (%)	Rate Volt. (V-DC)	Surge Volt. (V-DC)	Oper. Temp. ($^{\circ}\text{C}$)	Nominal Case Size D*L(mm)	Leakage Current Max(μA)	D.F. Max (%)	Max.Ripple Current (A)	Load Life (Hours)
AU050M682O500E50YSCR	6800	± 20	50	63	105	30*50	1749	30	3.20	2000

REMARKS:

1. Dissipation Factor Test: at 20°C , 120 Hz
2. Capacitance Test: at 20°C , 120 Hz
3. Ripple Current Test: at 105°C , 120 Hz
4. Leakage Current: Initial specified value or less
5. When have characteristic requested: Load life & shelf life test and etc., judgment standard reference to our catalogue.

US Contact Information

Tony Yang

Lumimax Optoelectronic Technology

Tel: +1 510 241 9686

Mobile: +1 510 364 7157

Email: tony.yang@lumimaxusa.com

DONG GUAN KUAN KUN ELECTRONIC CO., LTD

YIN HE INDUSTRIAL ZONE, QING XI TOWN, TEL: +86-769- 87318000
DONG GUAN CITY, GUAN DONG CHINA (P.R.O.C) FAX: +86-769- 87318008

AU-REV.1