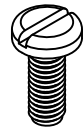
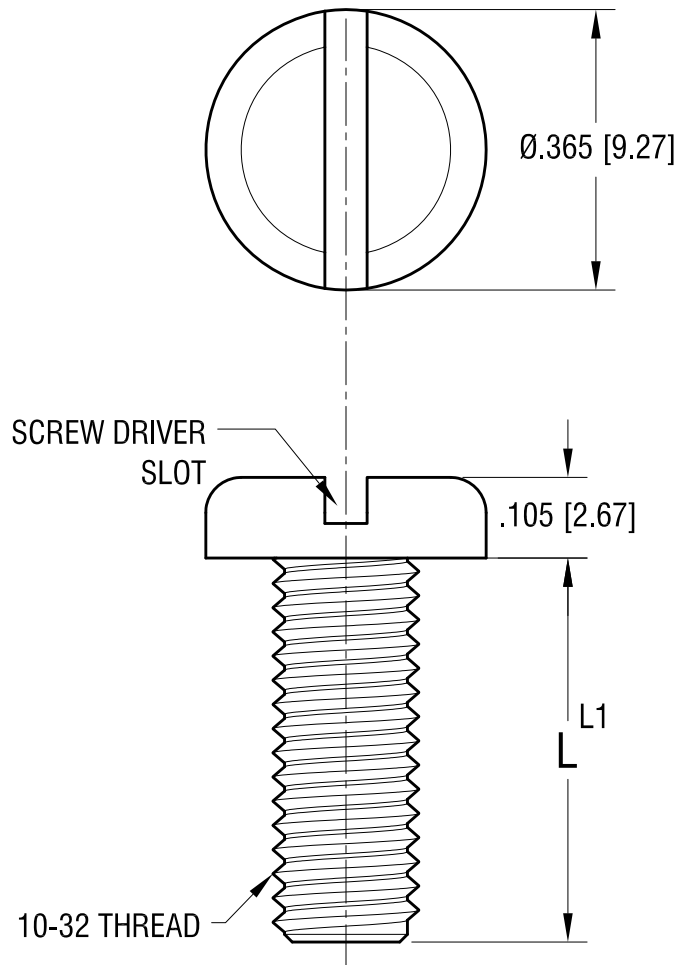


THIS DOCUMENT IS THE PROPERTY OF
KEYSTONE ELECTRONICS CORP. AND
SHALL NOT BE REPRODUCED, DISTRIBUTED
OR USED AS A BASIS FOR MANUFACTURE
WITHOUT PRIOR WRITTEN PERMISSION
FROM KEYSTONE ELECTRONICS CORP.

ACTUAL SIZE



P/N 9350



PART NO.	'L' DIM.	'L1' TOL. +0.0
9350	.500 [12.70]	-.020 [-0.50]
9351	.750 [19.05]	-.030 [-0.76]
9352	1.000 [25.40]	
9353	1.500 [38.10]	-.060 [-1.52]

KEYSTONE ELECTRONICS CORP.

www.keyelco.com • NEW HYDE PARK NY 11040 • Tel (516)328-7500

PART NAME		10-32 PAN HEAD SCREW	
MATERIAL		NYLON 6/6	
FINISH		DRN BY	DATE
NONE		BOONE	3.01.04
		APP'D	SCALE
		RH	4X
TOLERANCES	INCH [MM]	CODE	DWG NO.
DECIMAL	± .010 [± 0.25]	C	9350 - 9353
ANGULAR	± 1°		
UNLESS OTHERWISE SPECIFIED			

DATE	DESCRIPTION	REV.
------	-------------	------