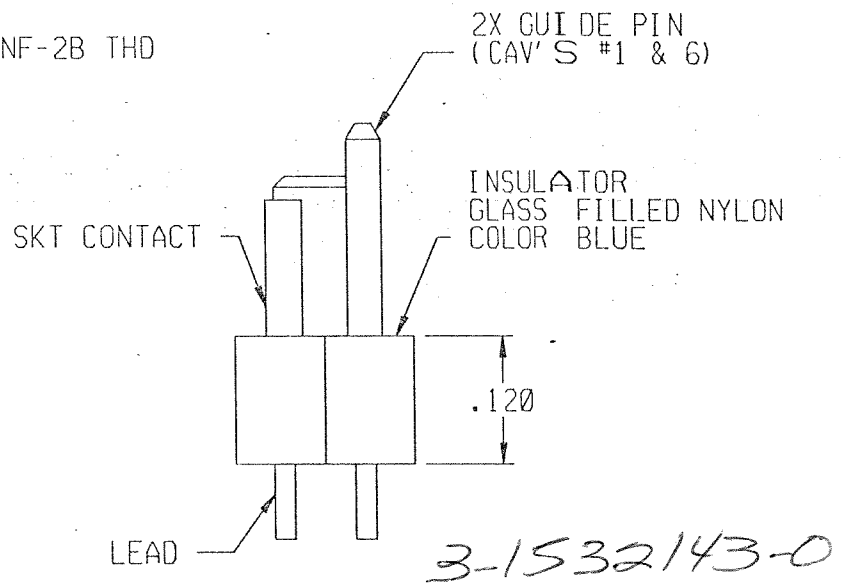
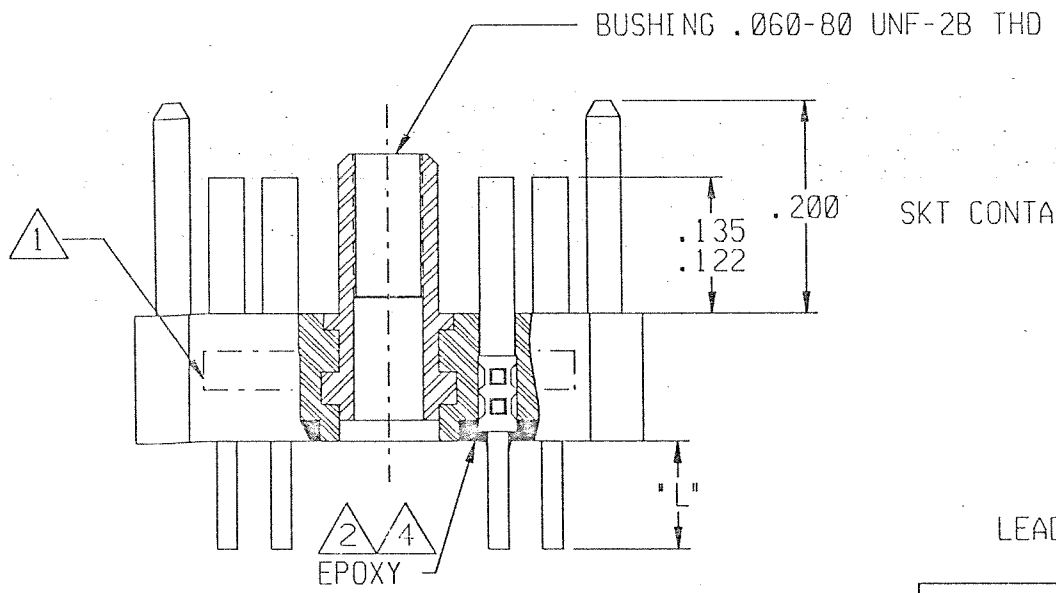
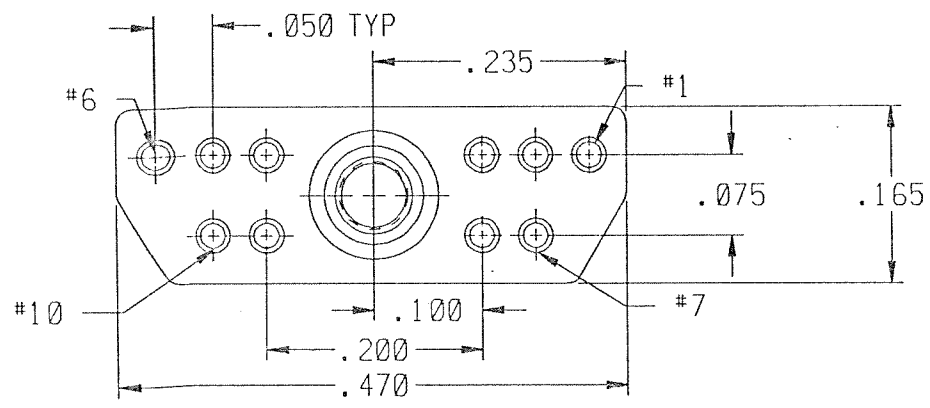



REVISION					
ZONE	LTR	ECN	DESCRIPTION	DATE	APPROVED
	B	39375	REVISE AND REDRAWN.	9/17/89	<i>[Signature]</i>



3-1532143-0

NOTES: UNLESS OTHERWISE SPECIFIED

- 1. MARK PER TIS.
- 2. EPOXY AS SHOWN WITH P/N: 194-8102-6215/6225.
- 3. CRIMP LEADS INTO CONTACTS PER MEP 302-05.
- 4. EPOXY WICKING : UNINSULATED WIRES - .050 MAX
INSULATED WIRE UP TO #25 AWG - .125 MAX
INSULATED WIRE #24 AWG OR LARGER - .200 MAX

UNLESS OTHERWISE SPECIFIED DIMENSIONS ARE IN INCHES. TOLERANCE ARE: FRACTIONS DECIMALS ANGLES ± 1/8 .XX ± .01 ± 2° .XXX ± .005	APPROVALS		 MICRODOT CONNECTORS A DIVISION OF UNI-STAR INDUSTRIES INC. 306 PASADENA AVE., SO. PASADENA, CA 91030	PROD CODE 834 CODE M	
	SIGNATURE	DATE			
MATERIAL:	DRAWN BY <i>[Signature]</i>	DATE <i>9/17/89</i>	JACKMATE CONNECTOR MCJB2-10S	SIZE A	
	P.E. <i>[Signature]</i>	DATE <i>9/17/89</i>			CODE IDENT NO. 98278
	FINISH:	THIS DOCUMENT IS THE PROPERTY OF MICRODOT CONNECTORS, A DIVISION OF UNI-STAR INDUSTRIES INC. USE OF THIS DOCUMENT OR ANY PART THEREOF IS STRICTLY FORBIDDEN WITHOUT THE EXPRESS WRITTEN PERMISSION OF MICRODOT CONNECTORS, A DIVISION OF UNI-STAR INDUSTRIES INC.			
SCALE: NONE		SHEET 1 OF 1			