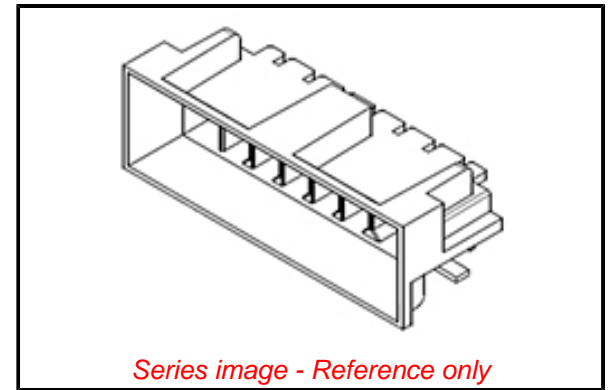


**PLEASE CHECK WWW.MOLEX.COM FOR LATEST PART INFORMATION**

**Part Number:** [0466220601](#)  
**Status:** **Active**  
**Overview:** [Micro-Fit Connector System](#)  
**Description:** Micro-Fit BMI Header, Surface Mount, Single Row, Right-Angle, with Solder Tab, 0.38µm Gold (Au) Selective Plating, 6 Circuits, Tape and Reel

**Documents:**

<a href="#">3D Model</a>	<a href="#">Packaging Specification PK-46622-001-001 (PDF)</a>
<a href="#">3D Model (PDF)</a>	<a href="#">Symbol Footprint Data SYM-46622-0600-001 (PDF)</a>
<a href="#">Drawing (PDF)</a>	<a href="#">RoHS Certificate of Compliance (PDF)</a>
<a href="#">Product Specification PS-44300-001-001 (PDF)</a>	<a href="#">Product Literature (PDF)</a>



**Agency Certification**

CSA LR19980

**General**

Product Family	PCB Headers
Series	<a href="#">46622</a>
Application	Power, Wire-to-Board
Overview	<a href="#">Micro-Fit Connector System</a>
Product Name	Micro-Fit BMI
UPC	191128233088

**Physical**

Breakaway	No
Circuits (Loaded)	6
Circuits (maximum)	6
Color - Resin	Black
Durability (mating cycles max)	30
First Mate / Last Break	No
Flammability	94V-0
Glow-Wire Capable	No
Guide to Mating Part	No
Keying to Mating Part	None
Lock to Mating Part	Yes
Material - Metal	Brass
Material - Plating Mating	Gold
Material - Plating Termination	Tin
Material - Resin	Liquid Crystal Polymer
Net Weight	1.631/g
Number of Rows	1
Orientation	Right Angle
PCB Locator	Yes
PCB Retention	Yes
Packaging Type	Embossed Tape on Reel
Pitch - Mating Interface	3.00mm
Plating min - Mating	0.381µm
Plating min - Termination	2.540µm
Polarized to Mating Part	Yes
Polarized to PCB	Yes
Shrouded	Fully
Stackable	No
Temperature Range - Operating	-40° to +105°C
Termination Interface: Style	Surface Mount

**Electrical**

Current - Maximum per Contact 8.5A

**EU ELV**

**Not Relevant**

**EU RoHS**

**Compliant**

**REACH SVHC**

Not Contained Per -  
D(2021)4569-DC (8  
July 2021)

**Halogen-Free**

**Status**

**Low-Halogen**

For more information, please visit [Contact US](#)

China ROHS

ELV

RoHS Phthalates

**China RoHS**

Green Image

Not Relevant

Not Contained

**Search Parts in this Series**

[46622](#) Series

**Mates With**

[46623](#) Micro-Fit BMI Panel Mount  
Receptacle Housing

Voltage - Maximum 600V

**Solder Process Data**

Duration at Max. Process Temperature (seconds) 030

Lead-free Process Capability REFLOW

Max. Cycles at Max. Process Temperature 003

Process Temperature max. C 260

**Material Info**

**Reference - Drawing Numbers**

Packaging Specification PK-46622-001-001

Product Specification PS-44300-001-001

Sales Drawing SD-46622-0000-001

Symbol/Footprint Data SYM-46622-0600-001

This document was generated on 11/12/2021

**PLEASE CHECK [WWW.MOLEX.COM](http://WWW.MOLEX.COM) FOR LATEST PART INFORMATION**