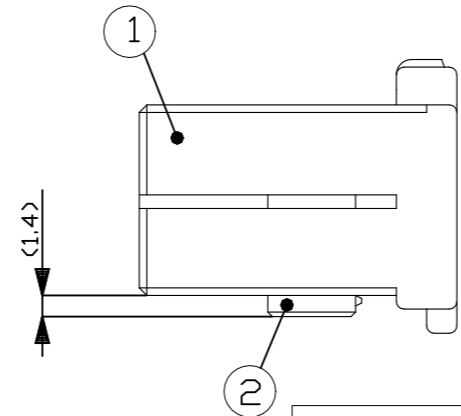
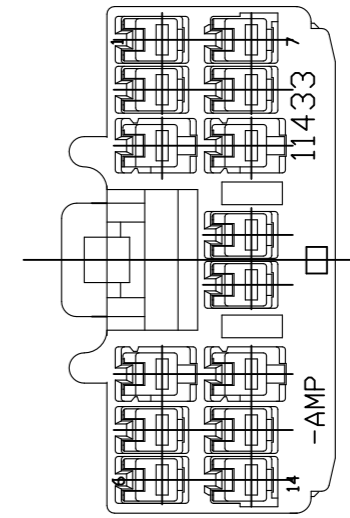
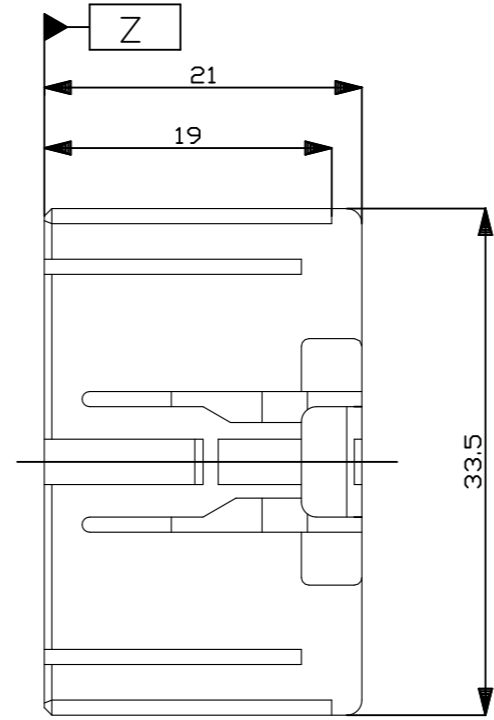
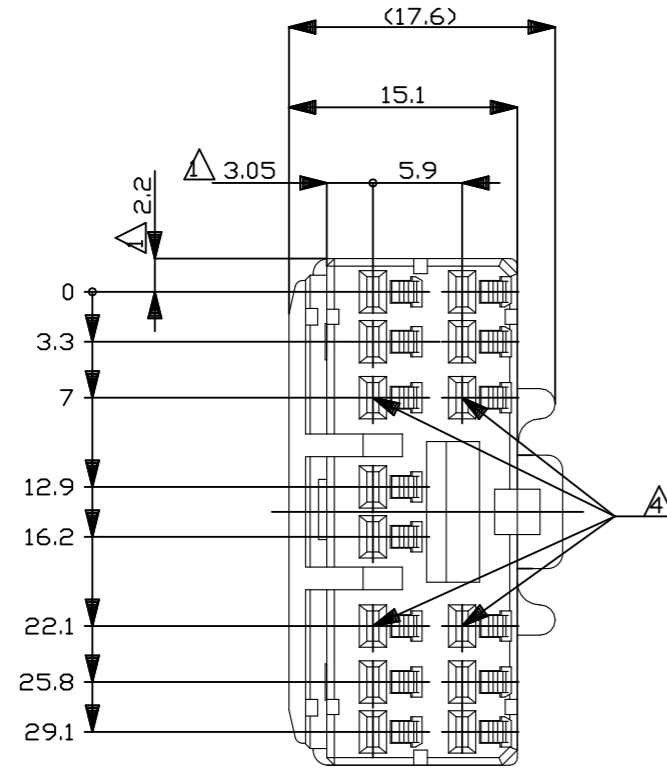


P	LTR	DESCRIPTION	DATE	DWN	APVD
	B2	REVISED PER ECR-23-165252	02FEB2023	RK	MT



NOTES;

- 1. MUST BE KEPT BETWEEN [Z] AND 2mm.
- 2. THE MATING CAP HOUSING PART NUMBER;177511,172900
- 3. APPLIED CONTACT PART NUMBER;175268,175269 (SIGNAL)  
175270 (POWER)
- 4. POWER CAVITY (4PLACES)
- 5. APPLICABLE PRODUCT SPEC NO.108-5231

注:

- 1. [Z] 面より2mmの範囲で測定
- 2. 嵌合相手ハウジング型番: 177511,172900
- 3. 内装するリセプタクルコンタクト型番: 175268,175269 (シグナル用)  
175270 (パワー用)
- 4. パワー用キャビティ (4極)
- 5. 適用製品規格番号 108-5231

OBSOLETE	OBSOLETE	OBSOLETE	NAME	COLOR	ITEM NO.
1	—	—	20Pos.PLATE HOUSING	BLACK	2
—	1	1	20Pos.PLATE HOUSING	WHITE	1
1	—	—	34Pos.CAP HOUSING	ORANGE	
—	1	—	34Pos.CAP HOUSING	GREEN	1
—	—	1	34Pos.CAP HOUSING	BLACK	
316007-8	316007-4	316007-2			

一般公差  
(GENERAL TOLERANCE)

10以下: ±0.2
10~30: ±0.25
30~100: ±0.3
角度 ±3°

THIS DRAWING IS A CONTROLLED DOCUMENT.

DIMENSIONS: mm	TOLERANCES UNLESS OTHERWISE SPECIFIED:	DWN T.SHINOHARA 5/22'95	TE Connectivity SCCS CONNECTOR 14Pos. MK-II PLUG HOUSING ASS'Y
	0 PLC ± - 1 PLC ± - 2 PLC ± - 3 PLC ± - 4 PLC ± - ANGLES ± -	CHK D.MATSUURA 5/22'95	
		APVD A.TOMITA 5/22'95	
MATERIAL PBT	FINISH SEE TABLE	PRODUCT SPEC APPLICATION SPEC WEIGHT -	

NAME	SIZE	CAGE CODE	DRAWING NO	RESTRICTED TO
	A3	00779	C-316007	

CUSTOMER DRAWING      SCALE 2:1      SHEET 1 OF 1      REV B2