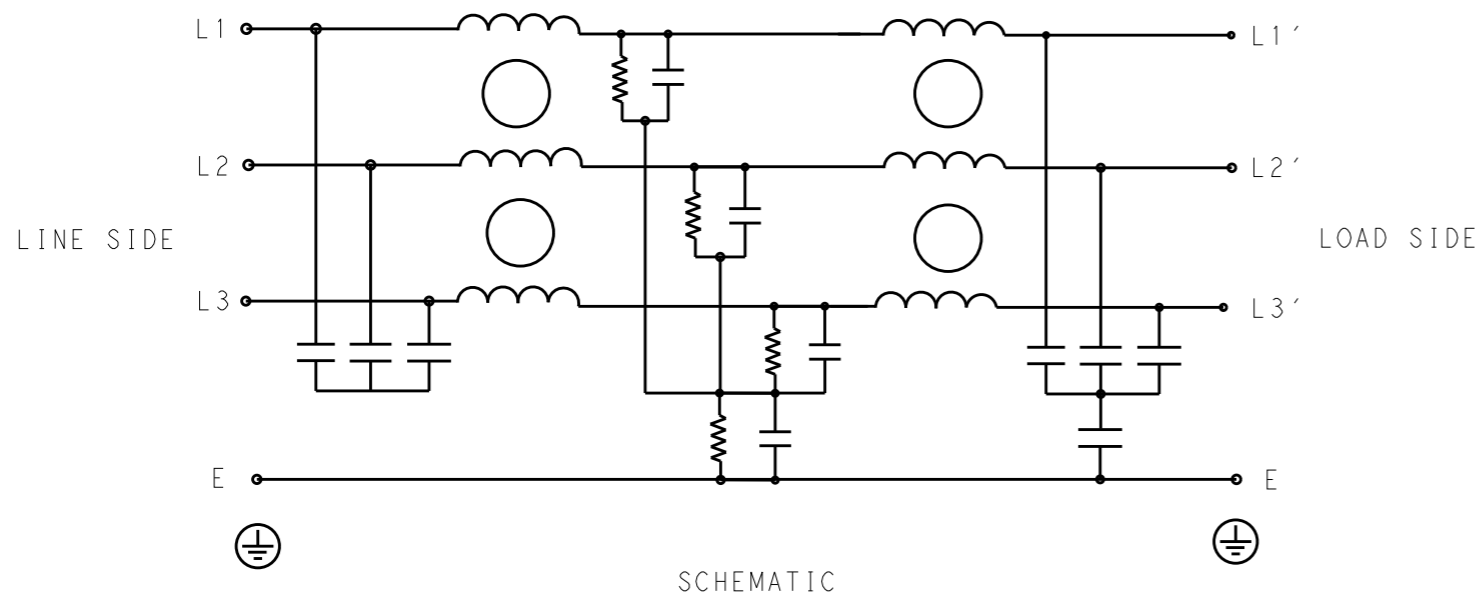


P	LTR	DESCRIPTION	DATE	DWN	APVD
	B	INITIAL RELEASE	08JUL2020	SB	LI



TYPICAL INSERTION LOSS
COMMON MODE 50/50Ω; DIFFERENTIAL MODE 50/50Ω

MHz	0.01	0.05	0.15	0.5	1	3	5	10	30
CM	42	46	69	77	82	64	57	47	39
DM	18	24	57	81	87	60	45	17	25

SAFETY ORGANIZATIONS

THIS FILTER WILL BE FORMALLY RECOGNIZED, CERTIFIED OR APPROVED BY THE LISTED AGENCY. THEREFORE, ALL TEST/REQUIREMENTS SPECIFIED IN THE LATEST REVISION OF THE FOLLOWING AGENCY STANDARDS WILL BE MET:

UL RECOGNIZED* 30A 440V 50Hz/60Hz 40°C
 CSA CERTIFIED** 30A 440V 50Hz/60Hz 40°C

* 31 JULY 2020 ; ** 31 AUGUST 2020

OPERATING SPECIFICATION

LINE CURRENT/VOLTAGE: 30A, 440VAC
 LINE FREQUENCY: 50/60Hz

MAXIMUM LEAKAGE CURRENT: 10mA @ 230VAC, 50Hz

OPERATING AMBIENT TEMPERATURE RANGE @ RATED CURRENT: -25°C TO +40°C

IN AN AMBIENT, T_a, HIGHER THAN 40°C, THE MAXIMUM OPERATING CURRENT, I_o, IS AS FOLLOWS:

$$I_o = I_r \sqrt{\frac{85 - T_a}{45}}$$

RELIABILITY SPECIFICATIONS

STORAGE TEMPERATURE: -40°C TO +85°C
 HUMIDITY: 21 DAYS @ 40°C AND 95% RH

TEST SPECIFICATIONS

INDUCTANCE, NOMINAL: 4.8mH

CAPACITANCE @ 1kHz

LINE TO GROUND, NOMINAL: 0.66μF
 LINE TO LINE, NOMINAL: 1.5μF

DISCHARGE RESISTOR

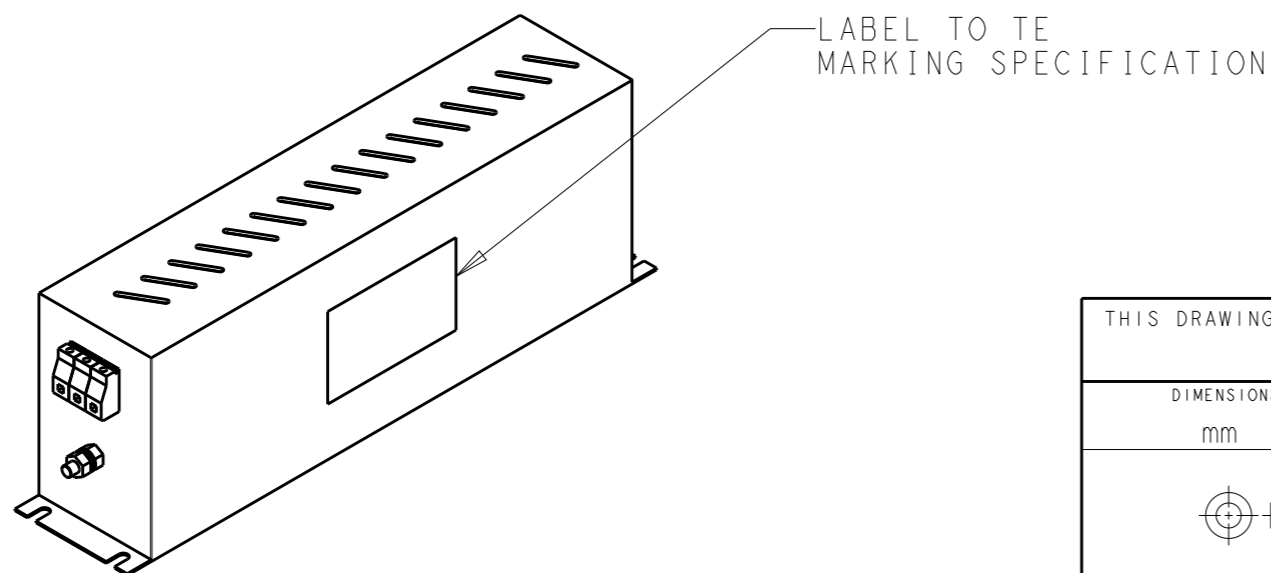
L/L I.R. 3MΩ 1W
 L/N I.R. XXX
 L/G I.R. 680KΩ 1W
 N/G I.R. XXX
 IR (NO DISCHARGE RESISTOR) 20°C, 50% RH AND 100VDC, MIN: 6MΩ

RECOMMENDED RECEIVING INSPECITON HIPOT

LINE TO GROUND FOR 1 MINUTE: 2632VDC
 LINE TO LINE FOR 1 MINUTE: 1892VDC

FILTER APPROVAL

THE BEST WAY TO SELECT AND QUALIFY A FILTER IS FOR YOUR ENGINEERING TO TEST THE UNIT IN YOUR EQUIPMENT.



THIS DRAWING IS A CONTROLLED DOCUMENT.		DWN 26FEB2020 SHRICHARANA B	TE Connectivity	
DIMENSIONS: mm		CHK 26FEB2020 LEO IRUDHAYARAJ		
TOLERANCES UNLESS OTHERWISE SPECIFIED:		APVD 26FEB2020 LEO IRUDHAYARAJ	NAME POWER LINE FILTER 30KEHD10ABSD	
0 PLC ±-		PRODUCT SPEC	SIZE	
1 PLC ±0.5		APPLICATION SPEC	CAGE CODE	
2 PLC ±0.40		WEIGHT	DRAWING NO	
3 PLC ±0.130		CUSTOMER DRAWING	RESTRICTED TO	
4 PLC ±0.0500			A300779 C-2-1609969-2	
ANGLES ±-			SCALE 3:10 SHEET 1 OF 2 REV B	
MATERIAL				
FINISH				

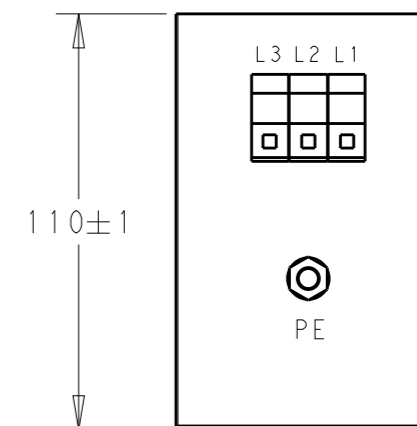
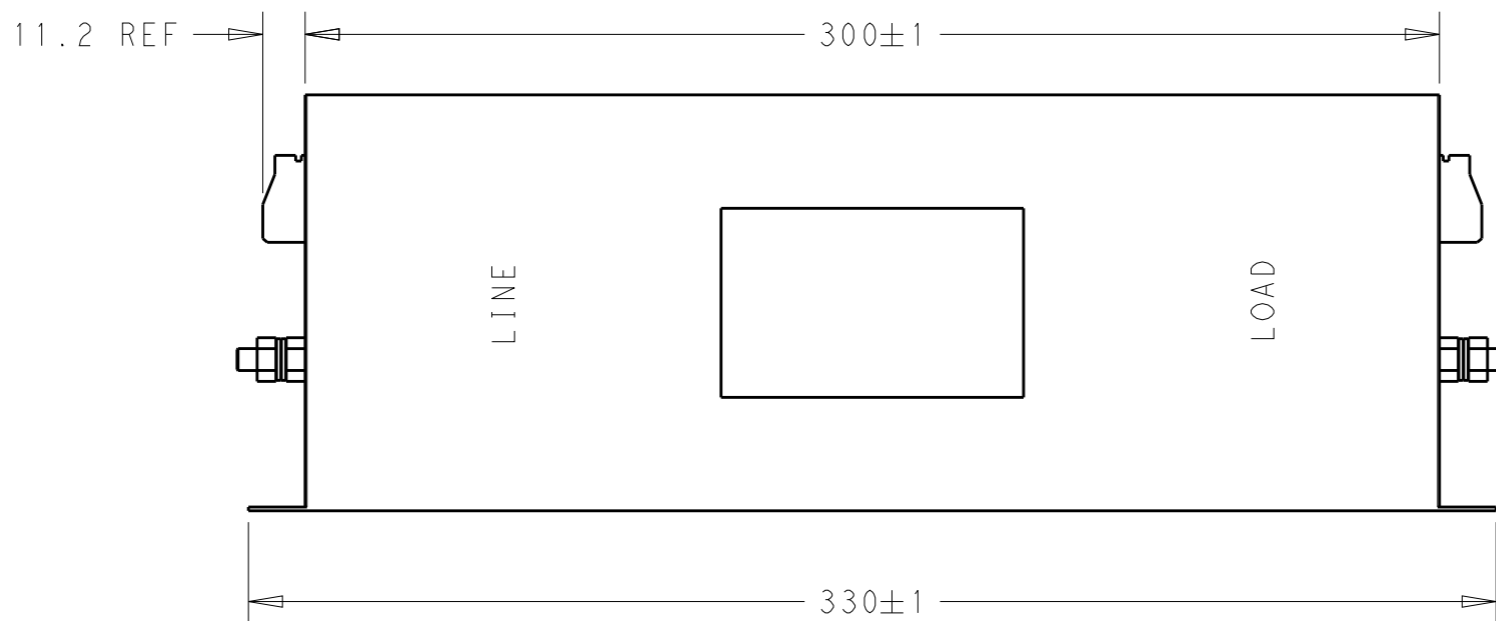
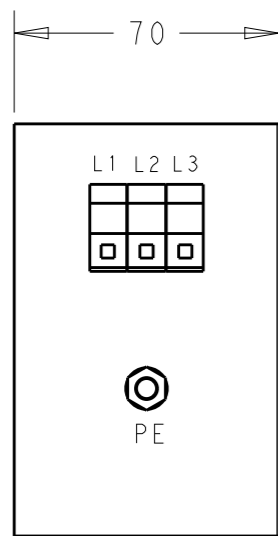
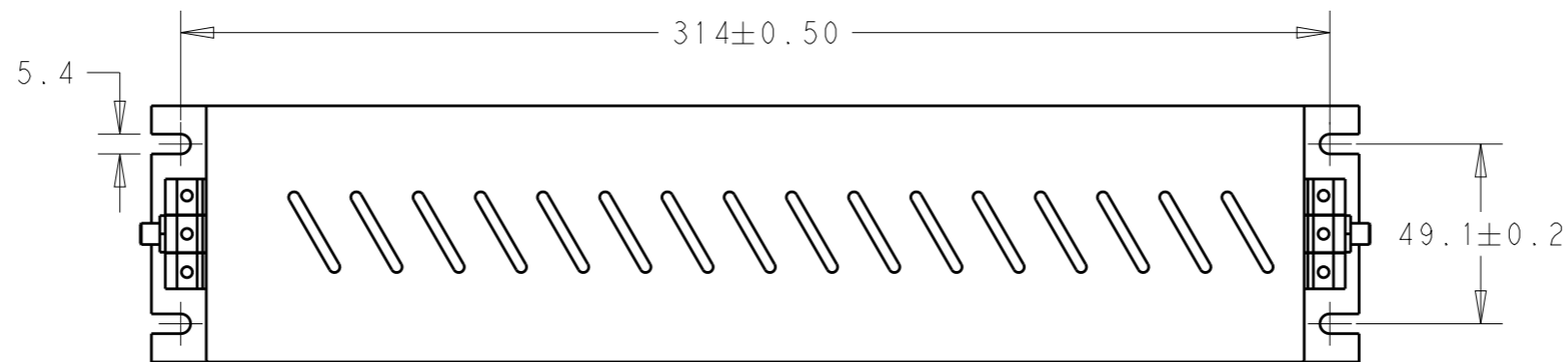
© 2020 TE Connectivity. All Rights Reserved.

NOTE 1 GROUND CONNECTION:
 DO NOT LOOSEN INNER GROUND NUTS.
 TORQUE OUTER TERMINAL SCREWS: 0.5Nm / 4.5 in.lbs
 TORQUE GROUND NUTS: 2.5-3Nm

NOTE 2 INPUT OUTPUT CONNECTION TERMINAL
 AWG SIZE: 26-12 AWG
 WIRE SECTION: 4 mm²
 THREADED BOLT SIZE FOR GROUND: M6

REVISIONS

P	LTR	DESCRIPTION	DATE	DWN	APVD
		SEE SHEET 1			



THIS DRAWING IS A CONTROLLED DOCUMENT.		DWN SHRICHARANA B 26FEB2020														
DIMENSIONS: mm		CHK LEO IRUDHAYARAJ 26FEB2020														
TOLERANCES UNLESS OTHERWISE SPECIFIED:		APVD LEO IRUDHAYARAJ 26FEB2020	NAME POWER LINE FILTER 30KEHD10ABSD													
<table border="0"> <tr><td>0 PLC</td><td>±-</td></tr> <tr><td>1 PLC</td><td>±0.5</td></tr> <tr><td>2 PLC</td><td>±0.40</td></tr> <tr><td>3 PLC</td><td>±0.130</td></tr> <tr><td>4 PLC</td><td>±0.0500</td></tr> <tr><td>ANGLES</td><td>±-</td></tr> </table>		0 PLC	±-	1 PLC	±0.5	2 PLC	±0.40	3 PLC	±0.130	4 PLC	±0.0500	ANGLES	±-	PRODUCT SPEC -	SIZE A300779	
0 PLC	±-															
1 PLC	±0.5															
2 PLC	±0.40															
3 PLC	±0.130															
4 PLC	±0.0500															
ANGLES	±-															
MATERIAL -		APPLICATION SPEC -	DRAWING NO C-2-1609969-2													
FINISH -		WEIGHT -	RESTRICTED TO -													
		CUSTOMER DRAWING	SCALE 1:2	SHEET 2 OF 2												
				REV B												