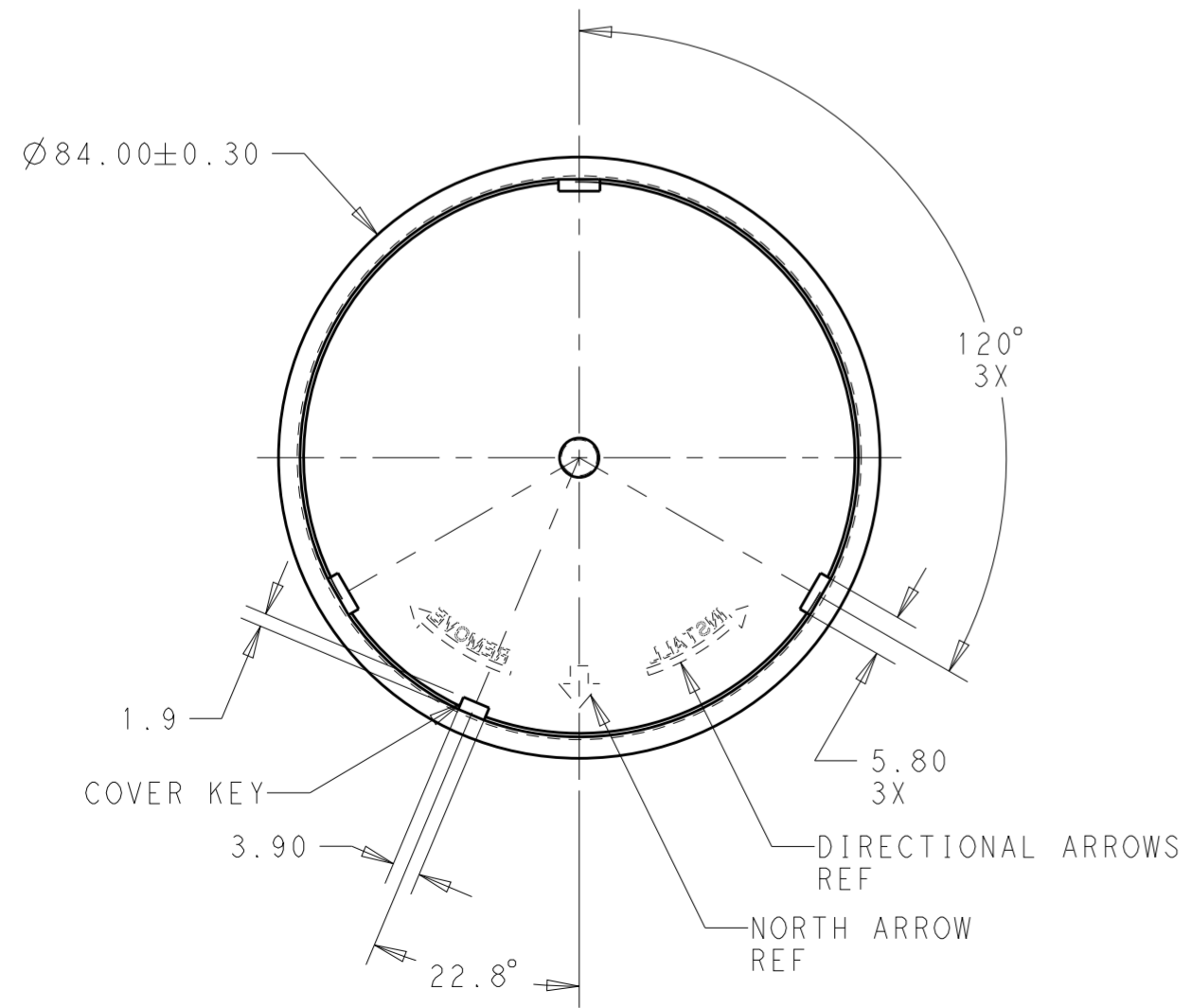
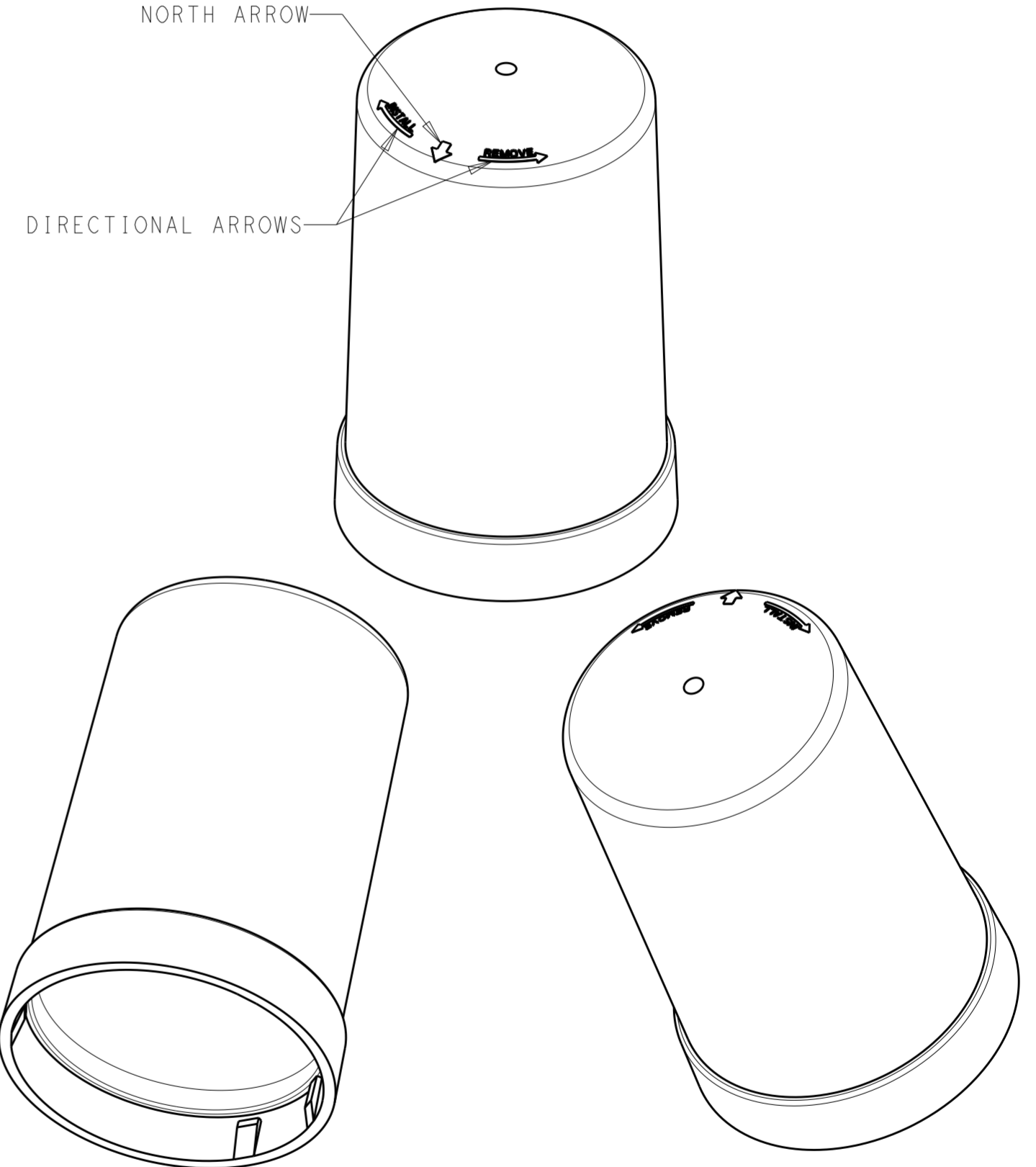
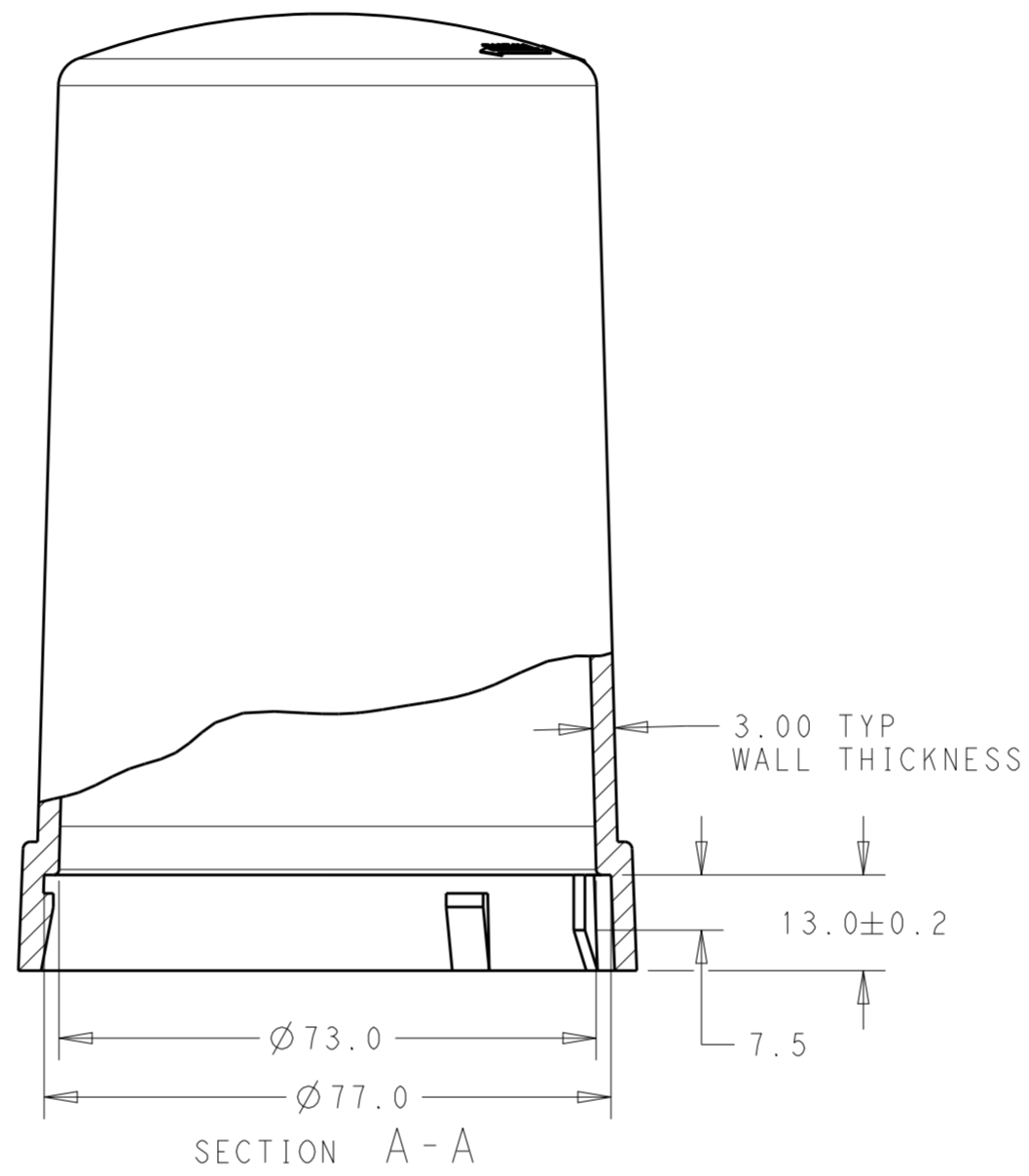
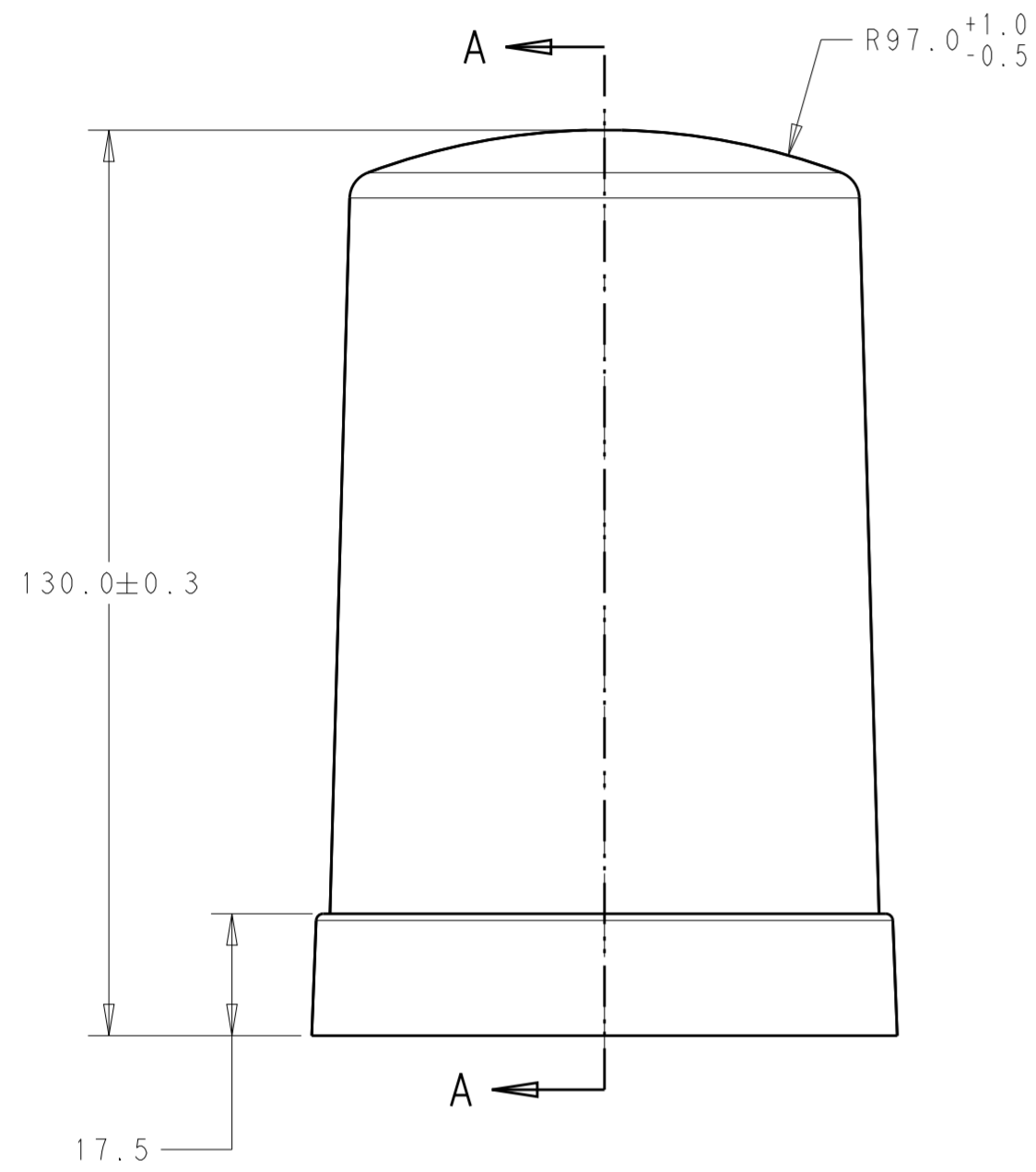


THIS DRAWING IS UNPUBLISHED. RELEASED FOR PUBLICATION 20  
 © COPYRIGHT 20 BY - ALL RIGHTS RESERVED.

REVISIONS				
P	LTR	DESCRIPTION	DATE	APVD
A		REVISED PER ECO-17-010638	21JUL2017	RK DD
B		REVISED PER ECR-19-010486	10JUL2019	SR DD

NOTES:

- 1 MATERIALS:  
 HOUSING: POLYCARBONATE, UV 5VA RATED  
 COLOR: SEE TABLE
- 2 MATING BASE TE P/N: 2213730-X
- 3. THIS PRODUCT HAS NOT COMPLETED VALIDATION TESTING.



78%	TRANSPARENT CLEAR	1-2306129-1
24%	TRANSPARENT SMOKE GRAY	2306129-1
APPROX LIGHT TRANSMISSION		PART NO.

THIS DRAWING IS A CONTROLLED DOCUMENT.		DWN J. SHAFFER 07JUL2016	TE Connectivity		
		CHK E. HOWARD 07JUL2016			
DIMENSIONS: mm		TOLERANCES UNLESS OTHERWISE SPECIFIED: 0 PLC ± 1 PLC ±0.2 2 PLC ±0.13 3 PLC ± 4 PLC ± ANGLES ±3° FINISH		NAME COVER, LIGHT CONTROLLER, TALL, 76 DIA	
		PRODUCT SPEC 108-32125		SIZE A2	
MATERIAL -		APPLICATION SPEC 114-32159		CAGE CODE -	
WEIGHT -		CUSTOMER DRAWING		DRAWING NO C-2306129	
		SCALE 1:1		SHEET 1 OF 1	
				REV B	