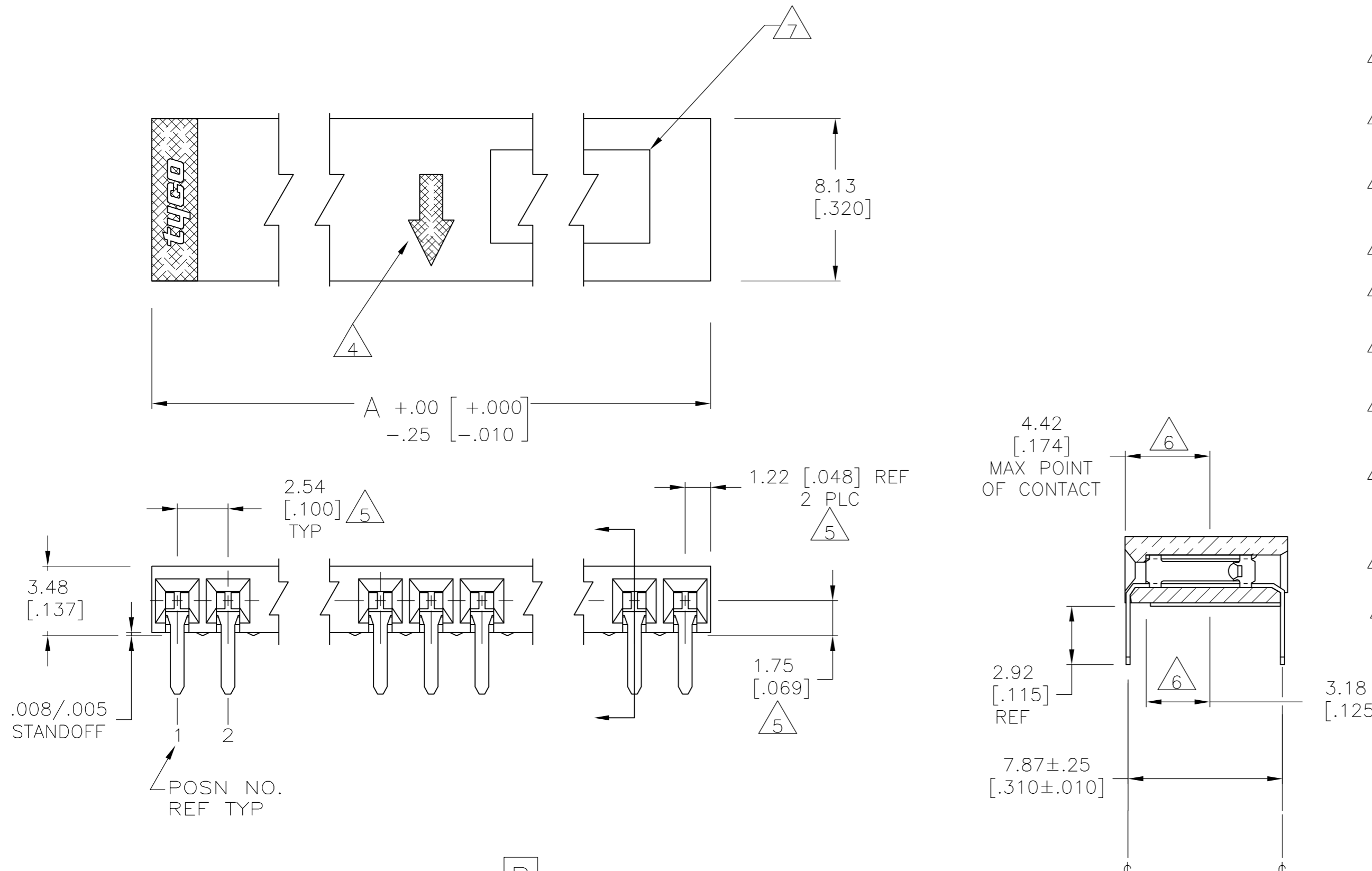
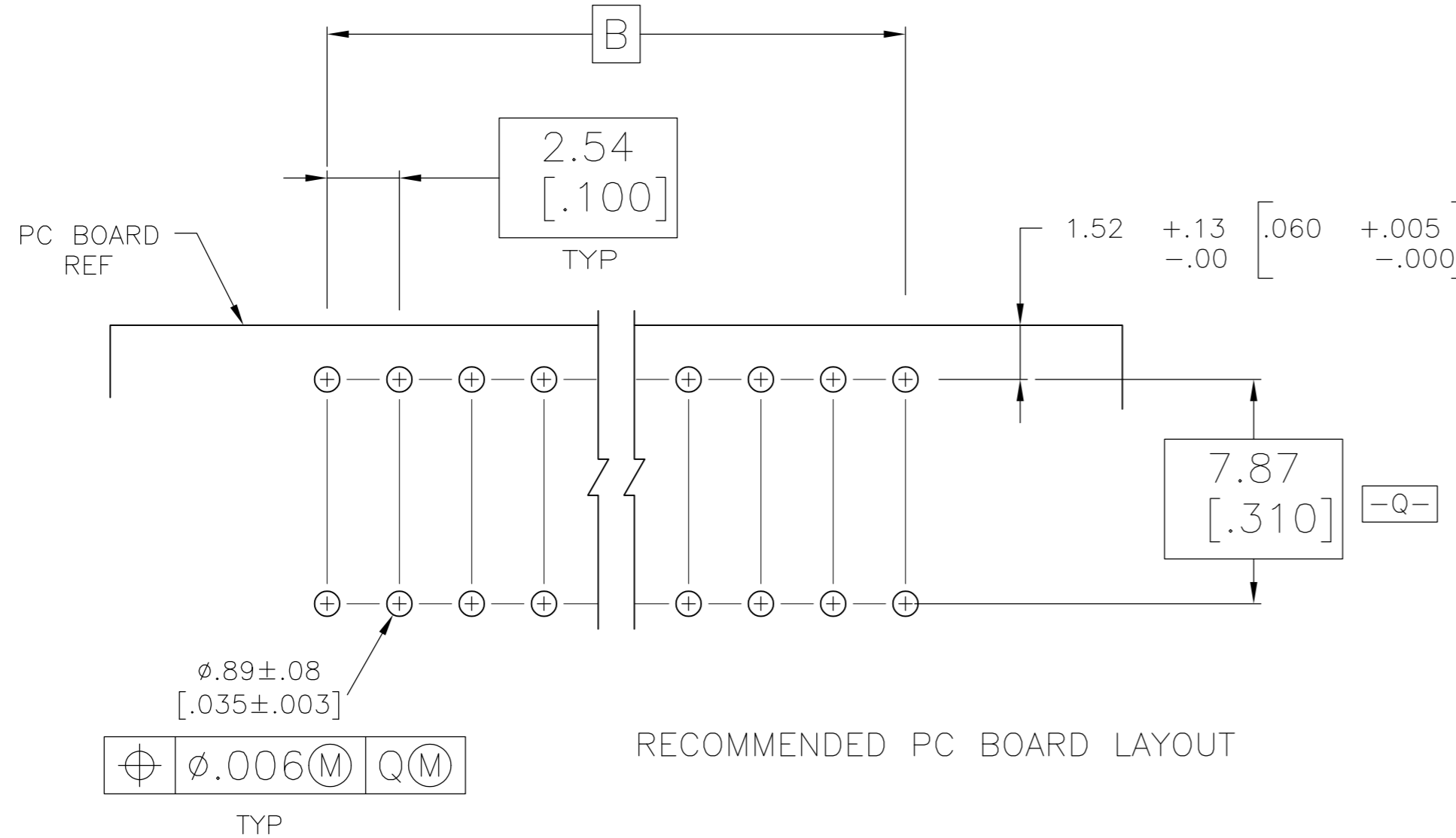


THIS DRAWING IS UNPUBLISHED. RELEASED FOR PUBLICATION
 © COPYRIGHT BY TYCO ELECTRONICS CORPORATION. ALL RIGHTS RESERVED.

LOC		DIST		REVISIONS			
P	LTR	DESCRIPTION	DATE	DWN	APVD		
C		EC 0G3C 0005 05	05FEB05	BSV	JRO		
C1		REVISED PER ECO-09-020689	27AUG09	KK	AEG		



- 1 HOUSING MATERIAL : GLASS FILLED, FLAME RETARDANT POLYESTER, COLOR-BLACK.
- 2 CONTACT MATERIAL: PHOSPHOR BRONZE.
- 3 CONTACT FINISH : DUPLEX PLATED 0.00076 $[-0.00030]$ GOLD ON CONTACT AREA, .00381-.00762 $[-0.00150]$ -.000300] BRIGHT TIN-LEAD ON SOLDER TINES, ALL OVER 0.00127 $[-0.00050]$ MIN. NICKEL.
- 4 MOLDED IN ARROW DESIGNATES THE MATING FACE OF THE CONNECTOR.
- 5 DIMENSIONS PERTAIN TO CAVITY CENTERLINES.
- 6 POINT OF MEASUREMENT FOR PLATING THICKNESS OF CONTACT AREA.
- 7 DATE CODE AND PART NUMBER MARKED IN APPROXIMATE LOCATION SHOWN.
- 8 CONTACT FINISH : DUPLEX PLATED 0.00076 $[-0.00030]$ GOLD ON CONTACT AREA, .00381-.00762 $[-0.00150]$ -.000300] MATTE TIN ON SOLDER LEADS, ALL OVER 1.27 $[-0.00050]$ MIN. NICKEL.
- 9 ROHS 2002 /95/EC COMPLIANT
- 10 OBSOLETE PARTS: OBSOLETE CIS STREAMLINING PER D.RENAUD/D.SINISI



FINISH	POSN NUMBERS OMITTED	B	A	NO OF POSN	PART NUMBER	
10	8	2, 6, 7, 9 THRU 14	35.56 $[-1.400]$	38.10 $[-1.500]$	15	5-146769-2
8	2 THRU 7, 9 THRU 14	35.56 $[-1.400]$	38.10 $[-1.500]$	15	5-146769-1	
10	3	2, 6, 7, 9 THRU 14	35.56 $[-1.400]$	38.10 $[-1.500]$	15	146769-2
3	2 THRU 7, 9 THRU 14	35.56 $[-1.400]$	38.10 $[-1.500]$	15	146769-1	

THIS DRAWING IS A CONTROLLED DOCUMENT.

DIMENSIONS: mm [INCHES]	TOLERANCES UNLESS OTHERWISE SPECIFIED: 0 PLC ± - 1 PLC ± - 2 PLC ± - 3 PLC ± - 4 PLC ± - ANGLES ± -	DWN E. BRANDBERG 30-AUG-96	CHK B. STAUCH 30-AUG-96	APVD B. STAUCH 30-AUG-96	NAME B. STAUCH	PRODUCT SPEC -	APPLICATION SPEC -	WEIGHT -	SIZE A2	CAGE CODE 00779	DRAWING NO C=146769	RESTRICTED TO -
MATERIAL 1 2	FINISH 3 8	Tyco Electronics Corporation Harrisburg, Pa 17105-3608		AMPMODU MOD II, RECTPT ASSY, HORIZONTAL, 2.54 $[-0.100]$ CL, 1 ROW, CLOSED ENTRY, SPOC, 0.00076 $[-0.00030]$ GOLD DUPLEX, END STACK		SCALE 5:1	SHEET 1 OF 1	REV C1				