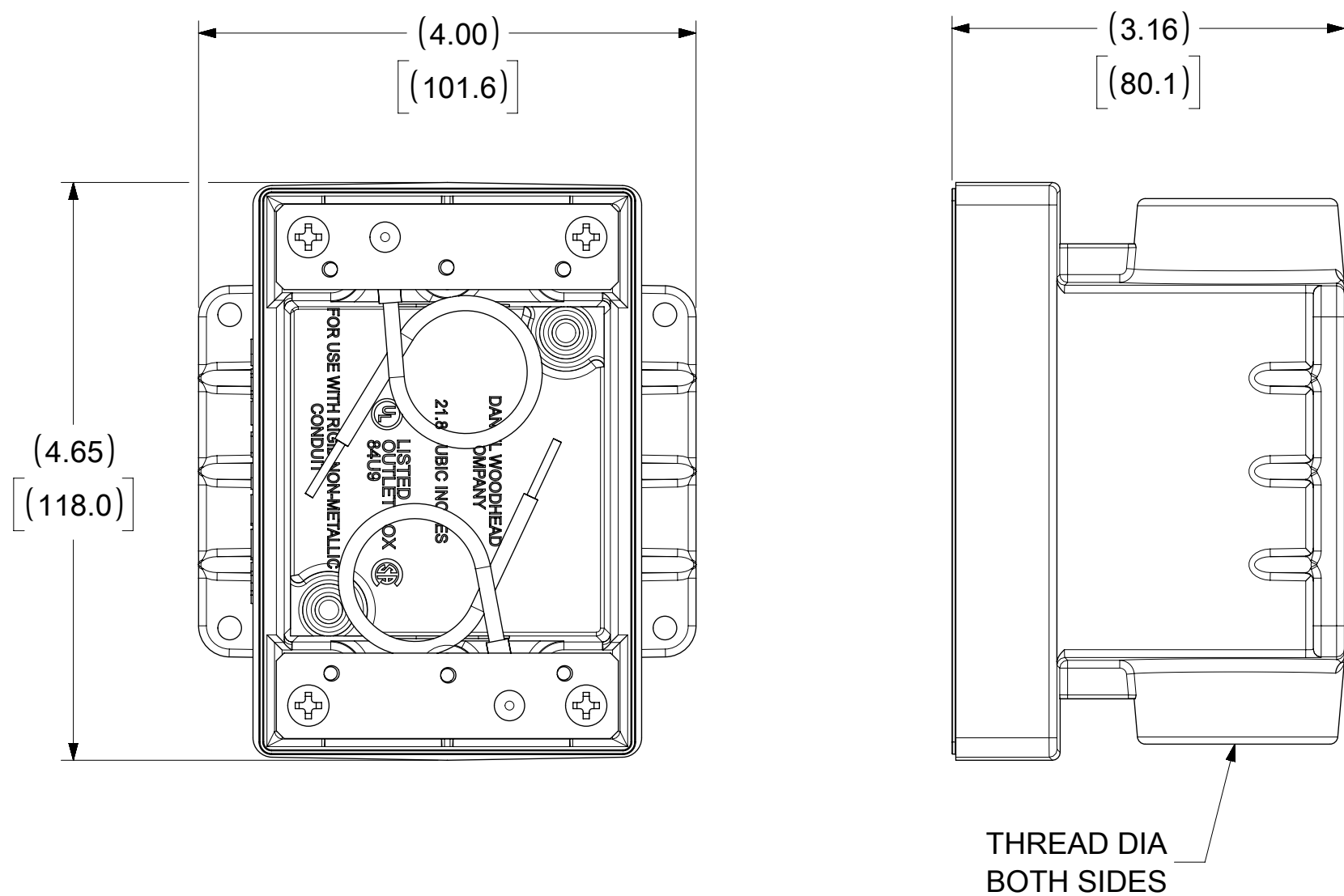
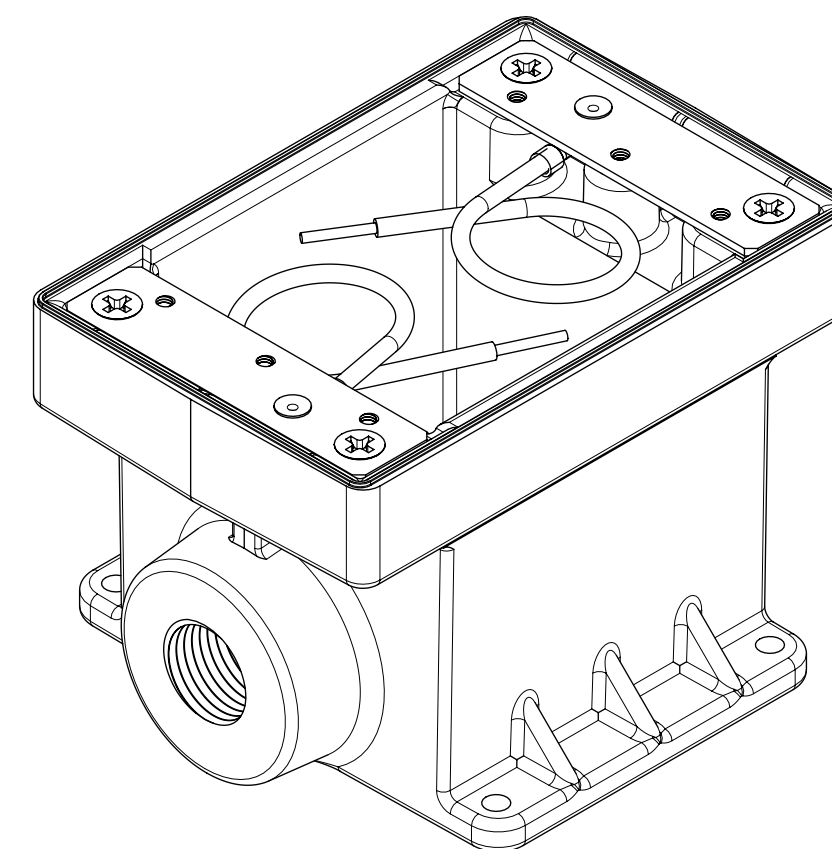


ORDER NO.	PART NO.	THREAD DIA	COLOR
130128-0113	452	1/2"	GRAY
130128-0114	452CR	1/2"	YELLOW
130128-0115	453	3/4"	GRAY
130128-0116	453CR	3/4"	YELLOW
130128-0119	454CR	1"	YELLOW



ITEM NO.	DESCRIPTION	MATERIAL	QTY.
1	F.D. BOX	BMC	1
2	RIVET	STAINLESS STEEL	2
3	JUMPER ASSY	COPPER, BRASS	2
4	MOUNTING PLATE	STAINLESS STEEL	2
5	SCREWS	STAINLESS STEEL	4

THIS DRAWING CONTAINS INFORMATION THAT IS PROPRIETARY TO MOLEX ELECTRONIC TECHNOLOGIES, LLC AND SHOULD NOT BE USED WITHOUT WRITTEN PERMISSION

DIMENSION UNITS INCH[MM]	SCALE NTS	CURRENT REV DESC: REMOVED OBSOLETE PART NUMBER AS PER PCN#511695.	molex		
GENERAL TOLERANCES (UNLESS SPECIFIED)		EC NO: 730178			
4 PLACES ±	±	DRWN: SANTHN	PRODUCT CUSTOMER DRAWING		
3 PLACES ±	±	CHK'D: GGA	DOCUMENT NUMBER		
2 PLACES ±	±	APPR: GGA	1301280113		
1 PLACE ±	±	INITIAL REVISION:	DOC TYPE	DOC PART	REVISION
0 PLACES ±	±	DRWN: VBASUTHKARP	PSD	000	A1
ANGULAR TOL ± °		APPR:	MATERIAL NUMBER	CUSTOMER	SHEET NUMBER
DRAFT WHERE APPLICABLE MUST REMAIN WITHIN DIMENSIONS	THIRD ANGLE PROJECTION	DRAWING	SEE TABLE	GENERAL MARKET	1 OF 1
		SERIES			
		C-SIZE 130128			