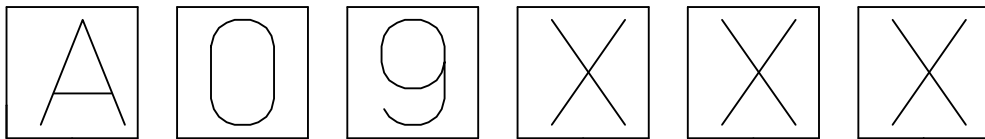


10 9 8 7 6 5 4 3 2 1



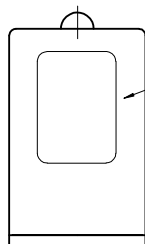
RODZAJ POLACZENIA/INTERNAL CIRCUIT  
 PATRZ SCHEMATY POLACZEN/WIREING CONFIGURATION  
 NAPIECIE ORAZ KOLOR DIODY/VOLTAGE AND LED COLOUR:

1= 12V	A= 12V	G= 12V
2= 24V	B= 24V	H= 24V
3= 48V	C= 48V	K= 48V
4= 115V	D= 115V	L= 115V
5= 230V	E= 230V	M= 230V

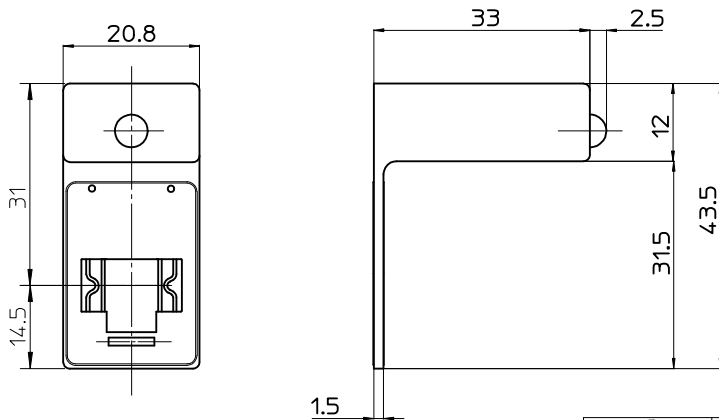
CZERWONA DIODA  
 RED LED

ZIELONA DIODA  
 GREEN LED

ZOLTA DIODA  
 YELLOW LED

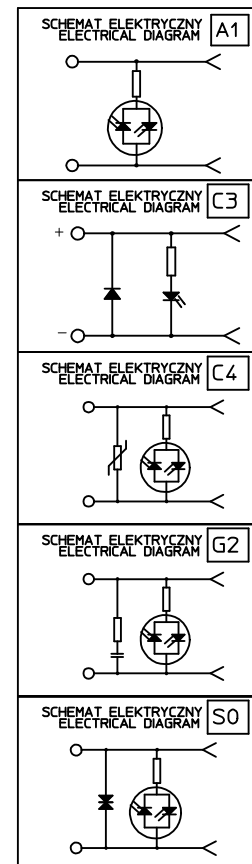


TAMPONADRUK SCHEMATU (BIALY)  
 CIRCUIT PRINTOUT (WHITE)



MOLEX PN	MPM PN
1210010411	A09G2H

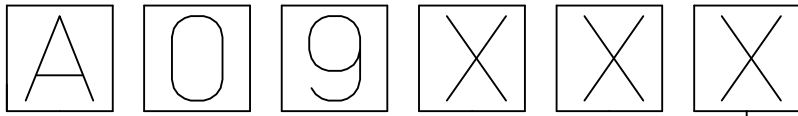
SCHEMATY POLACZEN  
 /WIREING CONFIGURATION



ORIGINAL RELEASE EC NO: WEU2009-0479 DRWIN: MWOLSZCZAK 2009/05/20 CHYKD: MDABROWSKA 2009/05/20 APPR: GOGRODNIK 2009/05/20	QUALITY SYMBOLS	GENERAL TOLERANCES (UNLESS SPECIFIED)	DIMENSION STYLE MM ONLY	SCALE ---	DESIGN UNITS METRIC	FIRST ANGLE PROJECTION
	DESCRIPTION	mm INCH	DRAWN BY DATE	TITLE	MPM A09 ADAPTORS	
	REV	4 PLACES ± --- ± ---	MLEVYTSKYY 2009/05/18	CHECKED BY DATE	MOLEX INCORPORATED	
		3 PLACES ± --- ± ---	MDABROWSKA 2009/05/18	APPROVED BY DATE	DOCUMENT NO.	SHEET NO.
	2 PLACES ± --- ± ---	ANGULAR ± --- °	MWOLSZCZAK 2009/05/18	SEE DRAWING	A09XXX	1 OF 1
	1 PLACE ± --- ± ---	DRAFT WHERE APPLICABLE MUST REMAIN WITHIN DIMENSIONS	SIZE A3	THIS DRAWING CONTAINS INFORMATION THAT IS PROPRIETARY TO MOLEX INCORPORATED AND SHOULD NOT BE USED WITHOUT WRITTEN PERMISSION		

9 8 7 6 5 4 3 2 1

# A09 - ADAPTOR FOR DIN B



## INTERNAL CIRCUIT

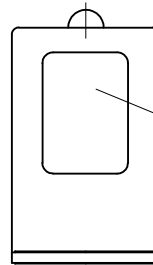
### VOLTAGE AND LED COLOUR:

1= 12V	A= 12V	G= 12V
2= 24V	B= 24V	H= 24V
3= 48V	C= 48V	K= 48V
4= 115V	D= 115V	L= 115V
5= 230V	E= 230V	M= 230V

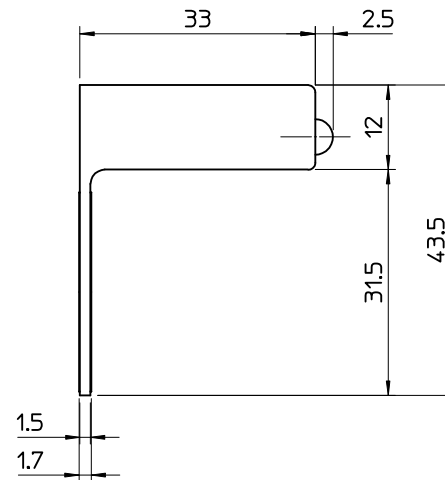
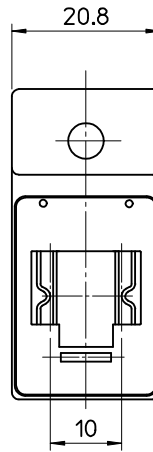
RED LED      GREEN LED      YELLOW LED

## Chart 1

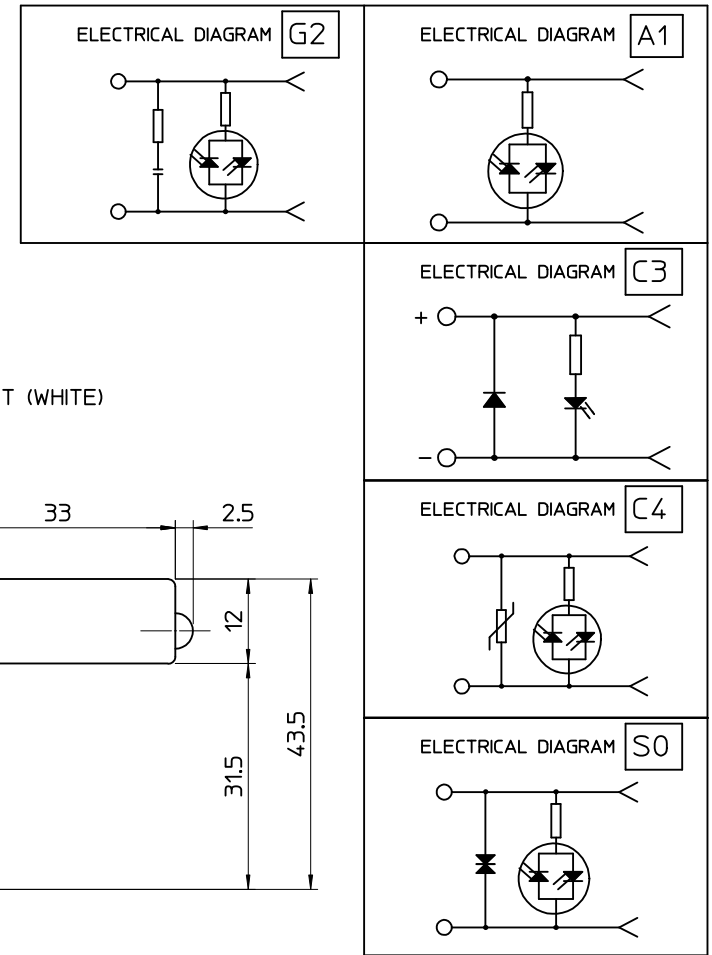
Engineering no.	SAP Part Number	Circuit type	LED Color
A09C4H	1210010440	C4 24V	Yellow
A09C4L	1210010441	C4 115V	Yellow
A09C4M	1210010327	C4 230V	Yellow
A09G2H	1210010411	G2 24V	Yellow
A09G2M	1210010434	G2 230V	Yellow
A09S0H	1210010435	S0 24V	Yellow
A09G2L	1210010419	G2 115V	Yellow



CIRCUIT TAMOPRINT (WHITE)



## Wiring configuration



<b>DRAWING UPDATE</b> EC NO: IPG2016-0461 DRWN: JMARSZALEK 2013/06/08 CHKD: MSZWAJKOWSKI 2013/06/10 APPR: MIWASIECZKO 2015/09/28	QUALITY SYMBOLS ▽=0 ▽=0	GENERAL TOLERANCES (UNLESS SPECIFIED)		DIMENSION STYLE <b>MM ONLY</b>		SCALE -	DESIGN UNITS <b>METRIC</b>	FIRST ANGLE PROJECTION LIGHTS ADAPTORS SERIES A09XXX FOR DIN B <b>molex</b>	
				DRAWN BY DATE JMARSZALEK 2013/02/11		TITLE			
				CHECKED BY DATE MSZWAJKOWSKI 2013/02/11		DOCUMENT NO. SD-121001-009			
				APPROVED BY DATE MIWASIECZKO 2013/02/12		SHEET NO. 1 OF 1			
A1	REV	ANGULAR ±---°		MATERIAL NO.		THIS DRAWING CONTAINS INFORMATION THAT IS PROPRIETARY TO MOLEX INCORPORATED AND SHOULD NOT BE USED WITHOUT WRITTEN PERMISSION			
		DRAFT WHERE APPLICABLE MUST REMAIN WITHIN DIMENSIONS		SEE CHART 1					