

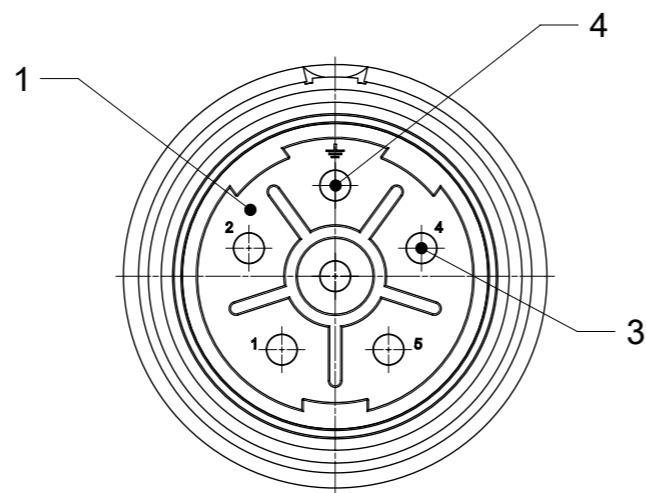
CABLE PRINT - according to WN-00017  
(Molex "Material-No" MXyyww)

**Technical Data:**

|                              |                    |
|------------------------------|--------------------|
| Number of positions          | 5 + PE             |
| Number of contacts           | 6                  |
| Contact Ø [mm]               | 2                  |
| Nominal current [A]          | 18                 |
| Nominal voltage [V~]         | 600                |
| Degree of pollution 3        |                    |
| Test voltage [V~]            | 3000               |
| Max. contact resistance [mΩ] | 3                  |
| Insulation resistance [MΩ]   | > 10 <sup>13</sup> |
| Protection                   | IP 67 (connected)  |
| Temperature range (fixed)    | -40°C to 90°C      |
| Temperature range (flex)     | -25°C to 80°C      |

**Packaging:**  
The cordsets delivered packed into carton without PE-bag.

**Connector pin assignment  
Plug M23 5+PE MA**



SCALE 2:1

**Wiring Diagram  
Connection: IN-LINE**

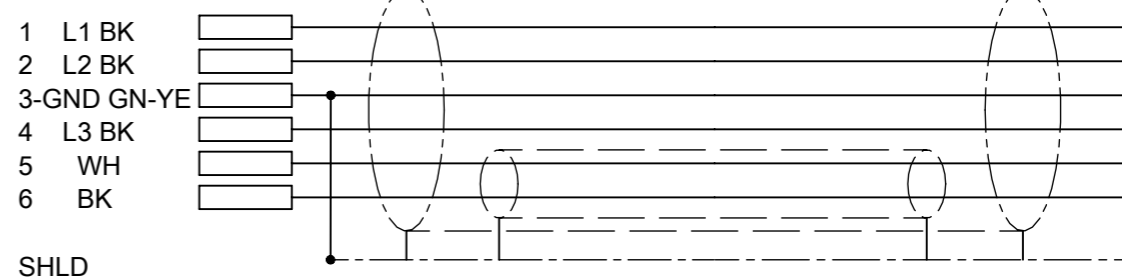
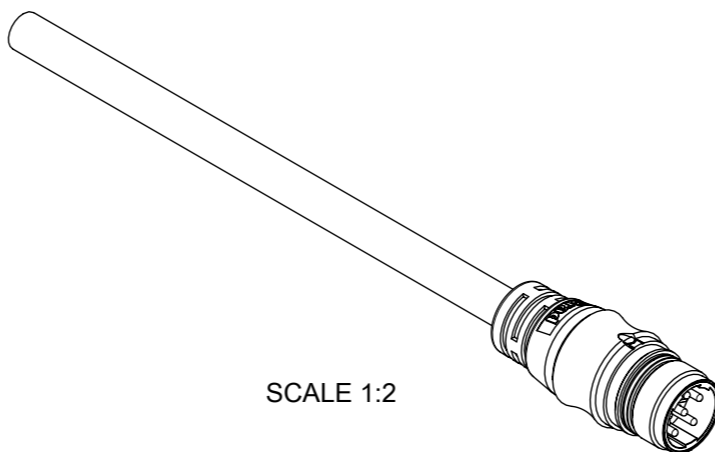


TABLE 2

| POS | QTY | DESCRIPTION     | MATERIAL     | FINISH           |
|-----|-----|-----------------|--------------|------------------|
| 1   | 1   | INSERT M23 MA   | PA           | BLACK            |
| 2   | 1   | SHELL M23 MA    | BRASS        | NICKEL PLATED    |
| 3   | 5   | CONTACT 20 MA   | COPPER ALLOY | GOLD OVER NICKEL |
| 4   | 1   | GROUNDING 20 MA | COPPER ALLOY | GOLD OVER NICKEL |
| 5   | 1   | GASKET OR       | NBR          | BLACK            |
| 6   | 1   | OVERMOLD        | TPU          | BLACK            |
| 7   | 1   | CABLE           | WSOR         | ORANGE           |

TABLE 1

| MOLEX P/N  | ENGINEERING No. | L [mm] | Tol.[mm] |
|------------|-----------------|--------|----------|
| 1204800810 | K0P6S06W01M005  | 500    | +40      |
| 1204800532 | K0P6S06W01M010  | 1000   | +40      |
| 1204800533 | K0P6S06W01M020  | 2000   | +60      |
| 1204800534 | K0P6S06W01M030  | 3000   | +60      |
| 1204800535 | K0P6S06W01M040  | 4000   | +60      |
| 1204800536 | K0P6S06W01M050  | 5000   | +60      |
| 1204800537 | K0P6S06W01M100  | 10000  | +80      |
| 1204800538 | K0P6S06W01M150  | 15000  | +140     |
| 1204800539 | K0P6S06W01M200  | 20000  | +140     |



SCALE 1:2

|  |   |                   |                 |                          |                                   |          |          |
|--|---|-------------------|-----------------|--------------------------|-----------------------------------|----------|----------|
| FUNCTIONAL SYMBOLS<br>▽A = 0<br>▽E = 0<br>▽V = 0     | THIS DRAWING CONTAINS INFORMATION THAT IS PROPRIETARY TO MOLEX ELECTRONIC TECHNOLOGIES, LLC AND SHOULD NOT BE USED WITHOUT WRITTEN PERMISSION | CURRENT REV DESC: |                 | <b>molex</b>             |                                   |          |          |
|  | DIMENSION UNITS: mm   | SCALE: 1:1        | EC NO: 720467   |                          | CSE M23 6P PC MA STR WSOR XM SHLD |          |          |
| DIVISIONAL SYMBOLS                                   | GENERAL TOLERANCES (UNLESS SPECIFIED)   | 4 PLACES ±        | 2022/09/07      | PRODUCT CUSTOMER DRAWING |                                   |          |          |
|  | ANGULAR TOL ± 1.0°  | 3 PLACES ± 0.0    | 2022/09/08      |                          |                                   |          |          |
|  | 2 PLACES ± 0.05   | 2 PLACES ± 0.05   | 2022/09/08      | DOCUMENT NUMBER          | DOC TYPE                          | DOC PART | REVISION |
|  | 1 PLACE ± 0.3   | 1 PLACE ± 0.3     | 2015/12/01      | 1204800810               | PSD                               | 000      | B        |
| 0 PLACES ± 0.5                                       | 0 PLACES ± 0.5  | 2016/01/28        | MATERIAL NUMBER | CUSTOMER                 | SHEET NUMBER                      |          |          |
| DRAFT WHERE APPLICABLE MUST REMAIN WITHIN DIMENSIONS | THIRD ANGLE PROJECTION  | DRAWING: A3-SIZE  | SERIES: 120480  | see table 1              | GENERAL MARKET                    | 1 OF 1   |          |