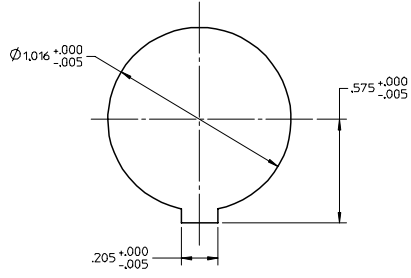
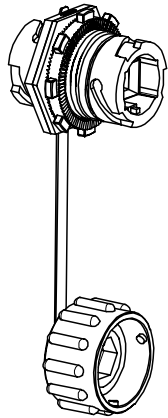


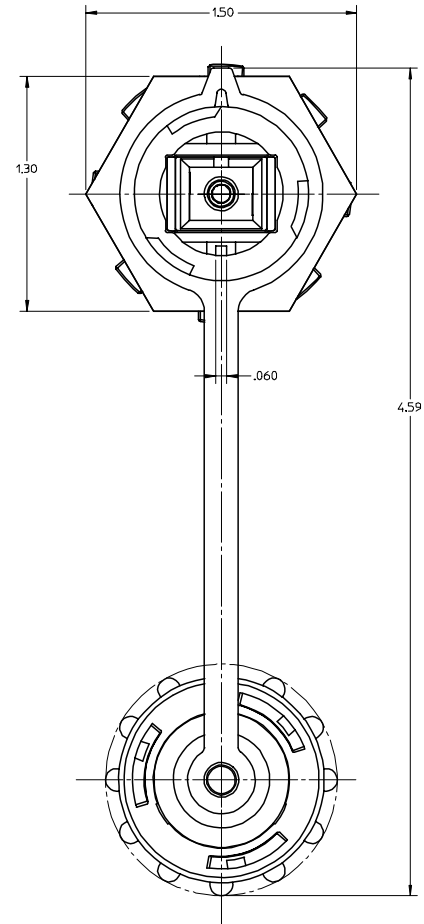
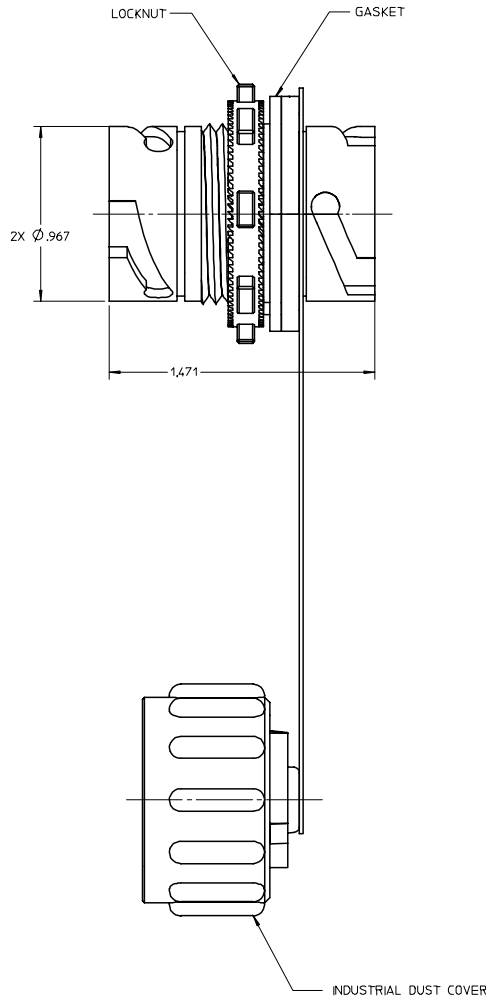
SC IN-LINE ADAPTER P/N	CONNECTOR TYPE
1060594100	SINGLE MODE
1060594110	MULTIMODE
1060594120	APC



RECOMMENDED MOUNTING CUTOUT



ISOMETRIC VIEW  
SCALE 1:1



NOTES:  
ALL DIMENSIONS ARE FOR REFERENCE ONLY.

<b>ENTER DESCRIPTION</b> EC NO: MF2007-0511 DRAWN BY: DRW:ADOBAL TRUKONIS CHKD: APPR: JGUMIN 2007/02/12 DESCRIPTION REVISION	<b>QUALITY SYMBOLS</b> = 0 = 0	<b>GENERAL TOLERANCES (UNLESS SPECIFIED)</b>		<b>DIMENSION STYLE INCH ONLY</b>		SCALE 2:1	DESIGN UNITS INCH	THIRD ANGLE PROJECTION	
			mm	INCH	DRAWN BY D.B.	DATE 2006/6/29	<b>SC IN-LINE INDUSTRIAL ADAPTER</b>		
			4 PLACES ±	±	CHECKED BY	DATE			
			3 PLACES ±	±	APPROVED BY	DATE 2006/6/29	<b>MOLEX INCORPORATED</b>		
		2 PLACES ±	±	MATERIAL NO. 10605941X0	DOCUMENT NO. SD-106059-41X0	SHEET NO. 1 OF 1			
		1 PLACE ±	±	DRAFT WHERE APPLICABLE MUST REMAIN WITHIN DIMENSIONS		THIS DRAWING CONTAINS INFORMATION THAT IS PROPRIETARY TO MOLEX INCORPORATED AND SHOULD NOT BE USED WITHOUT WRITTEN PERMISSION			