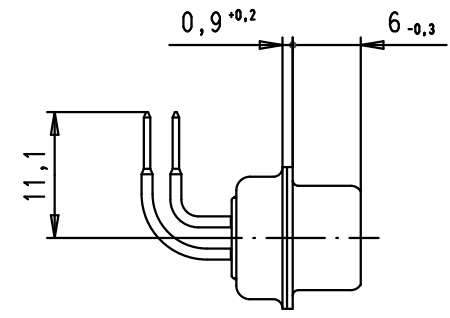
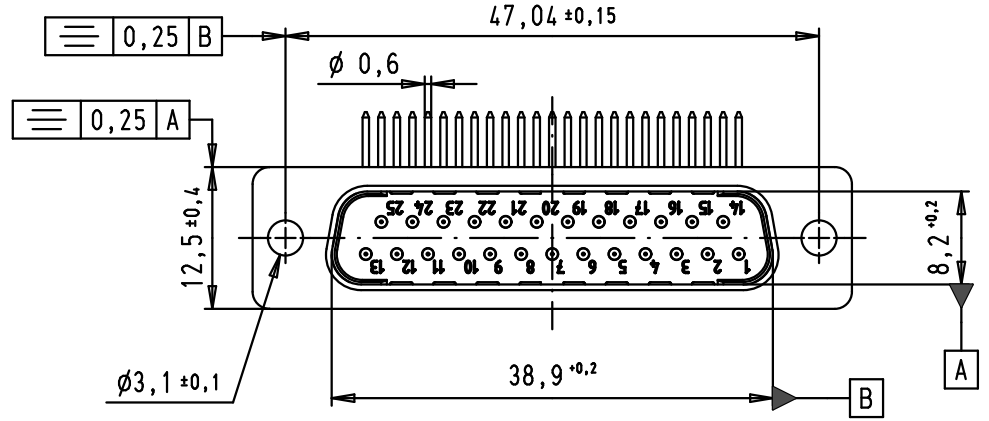


5 4 3 2 1

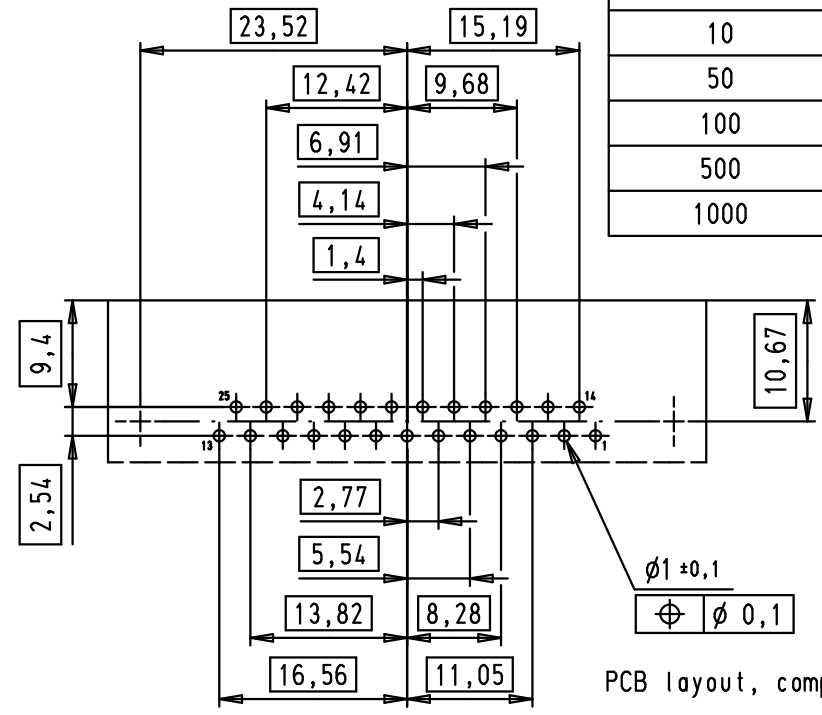
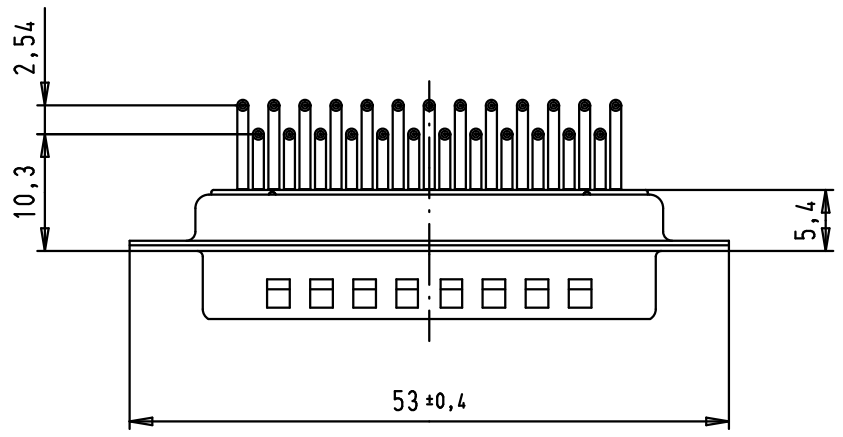


**SPECIFICATIONS**

Mating cycles	500
Filter type	C
Capacitance	1000 pF ± 20%
Working voltage	100 V
Current rating	7,5 A
Insulation resistance	> 1 GΩ

FREQUENCY (MHz)	ATTENUATION (dB)
5	1
10	3
50	12
100	20
500	34
1000	30

D  
C



PCB layout, component side

B

A

Mod.	Dot.	Name	Dot.	Name
			Detail.	08/07/02 CV
			Insp.	
EC01003	25/11/09	PK	Stand.	
33790	01/08/06	PK		
31058	08/07/02	CV		
			HARTING EURL F-95972 Paris	



D-Sub, male, angled, 25 poles, turned solder pins	Maßstab/ Scale 1,5:1
<b>TB 09 64 324 7230</b>	Blatt/ Page 1 / 1
Sub.	

