

2 & 3
CIRCUITS

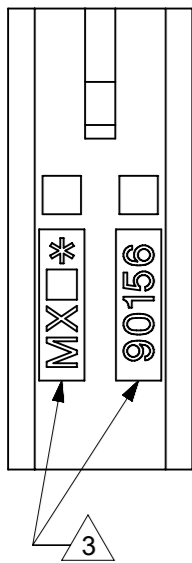
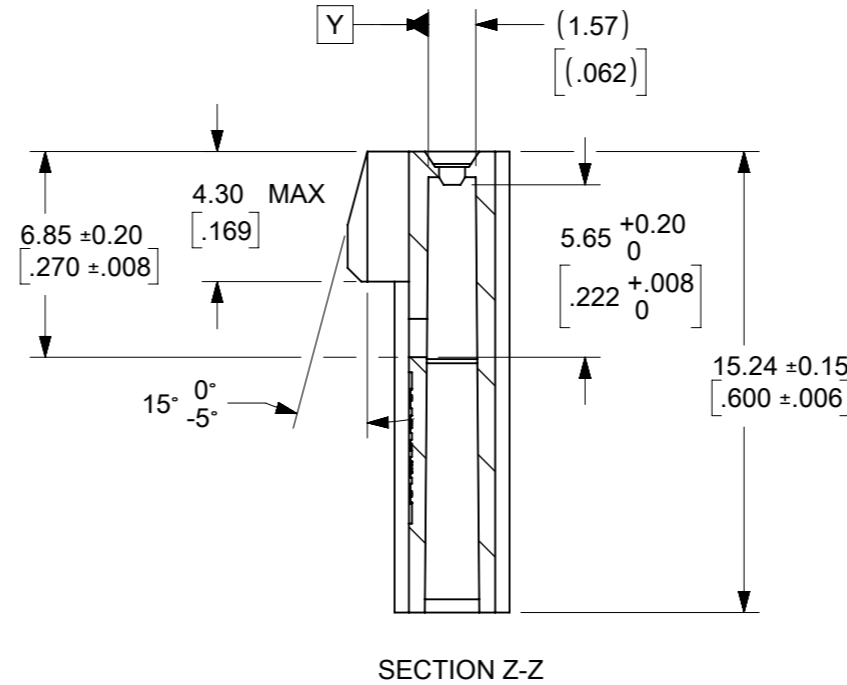
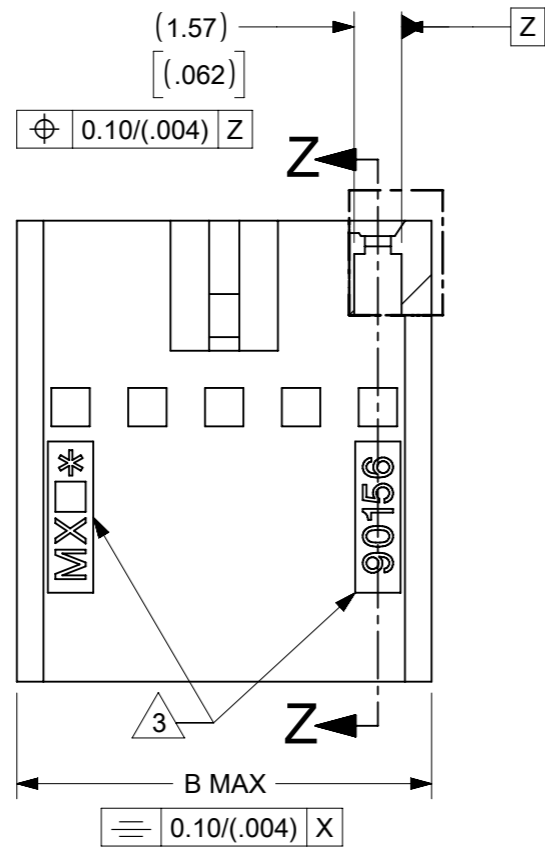
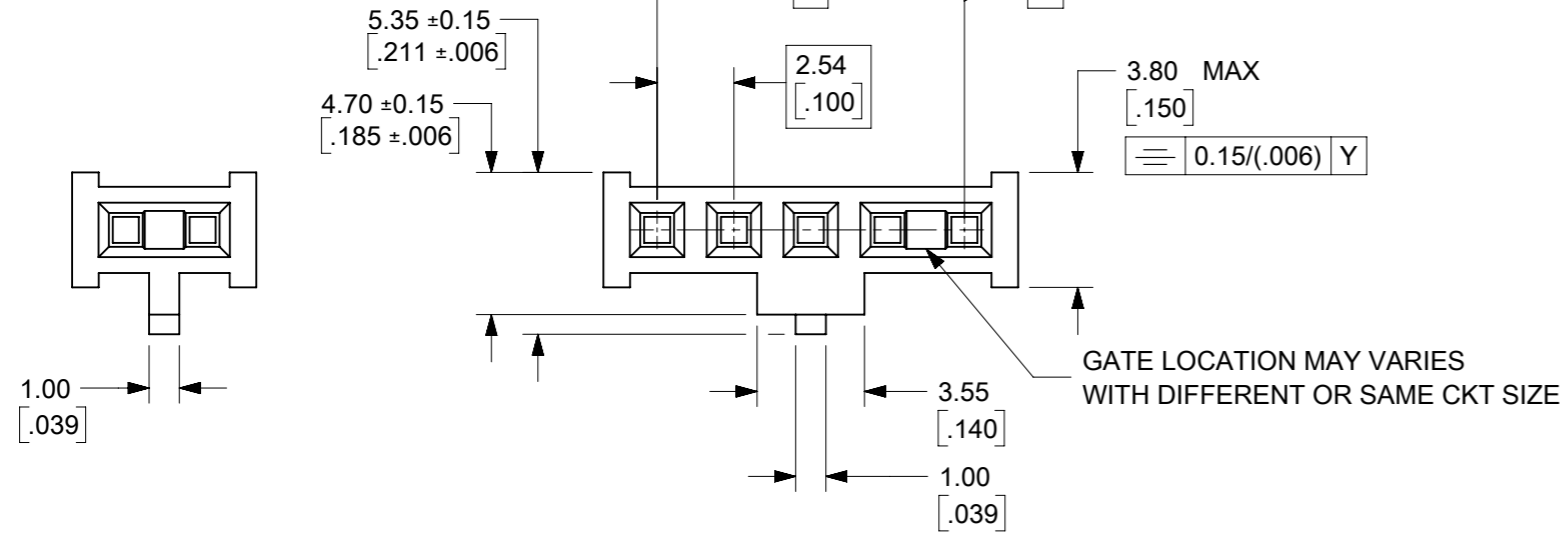
4 TO 32
CIRCUITS

PART NUMBER:
90156-XXXX

CIRCUIT SIZE
REF.NO
(SEE CHART)

MATERIAL CODE:
SEE NOTE 1

No. OF CKTS	PART NUMBER	DIM A	DIM B
2	90156-XX42	2.54/(.100)	6.14/(.242)
3	▲ -XX43	5.08/(.200)	8.68/(.342)
4	-XX44	7.62/(.300)	11.22/(.442)
5	-XX45	10.16/(.400)	13.76/(.542)
6	-XX46	12.70/(.500)	16.30/(.642)
7	-XX47	15.24/(.600)	18.84/(.742)
8	-XX48	17.78/(.700)	21.38/(.842)
9	-XX49	20.32/(.800)	23.92/(.942)
10	-XX50	22.86/(.900)	26.46/(1.042)
11			
12	-XX52	27.94/(1.100)	31.54/(1.242)
13	-XX53	30.48/(1.200)	34.08/(1.342)
14	-XX54	33.02/(1.300)	36.62/(1.442)
15	-XX55	35.56/(1.400)	39.16/(1.542)
16	-XX56	38.10/(1.500)	41.70/(1.642)
17			
18	-XX58	43.18/(1.700)	46.78/(1.842)
19			
20	-XX60	48.26/(1.900)	51.86/(2.042)
21			
22	-XX62	53.34/(2.100)	56.94/(2.242)
23			
24			
25	-XX65	60.96/(2.400)	64.56/(2.542)
26			
27			
28			
29			
30	-XX70	73.66/(2.900)	77.26/(3.042)
31			
32	90156-XX72	78.74/(3.100)	82.34/(3.242)



NOTES:

- MATERIAL CODE XX: 90156 - XX ** :
01 - POLYPHENYLENE OXIDE (PPO) UL94 V-1 COLOR: BLACK
10 - GLOW WIRE OPTION POLYESTER (PBT) UL94 V-2 COLOR: NATURAL
- PRODUCT SPECIFICATION: PS-99020-0001
- MOLEX LOGO, SERIES NUMBER AND CAVITY ID TO BE PLACED ON THIS FACE.

FUNCTIONAL SYMBOLS	THIS DRAWING CONTAINS INFORMATION THAT IS PROPRIETARY TO MOLEX ELECTRONIC TECHNOLOGIES, LLC AND SHOULD NOT BE USED WITHOUT WRITTEN PERMISSION	CURRENT REV DESC:		molex
	MM/IN	SCALE	NTS	
DIVISIONAL SYMBOLS	GENERAL TOLERANCES (UNLESS SPECIFIED)	MM	INCH	PRODUCT CUSTOMER DRAWING
	4 PLACES ±	±	±	DOCUMENT NUMBER
DIVISIONAL SYMBOLS	3 PLACES ±	±	0.004	DOC TYPE
	2 PLACES ±	0.2	±	DOC PART
DIVISIONAL SYMBOLS	1 PLACE ±	±	±	REVISION
	0 PLACES ±	±	±	
ANGULAR TOL	± 2.0°			SDA-90156
DRAFT WHERE APPLICABLE MUST REMAIN WITHIN DIMENSIONS	THIRD ANGLE PROJECTION	DRAWING	SERIES	MATERIAL NUMBER
		A3-SIZE	90156	CUSTOMER
				GENERAL MARKET
				SHEET NUMBER
				1 OF 1