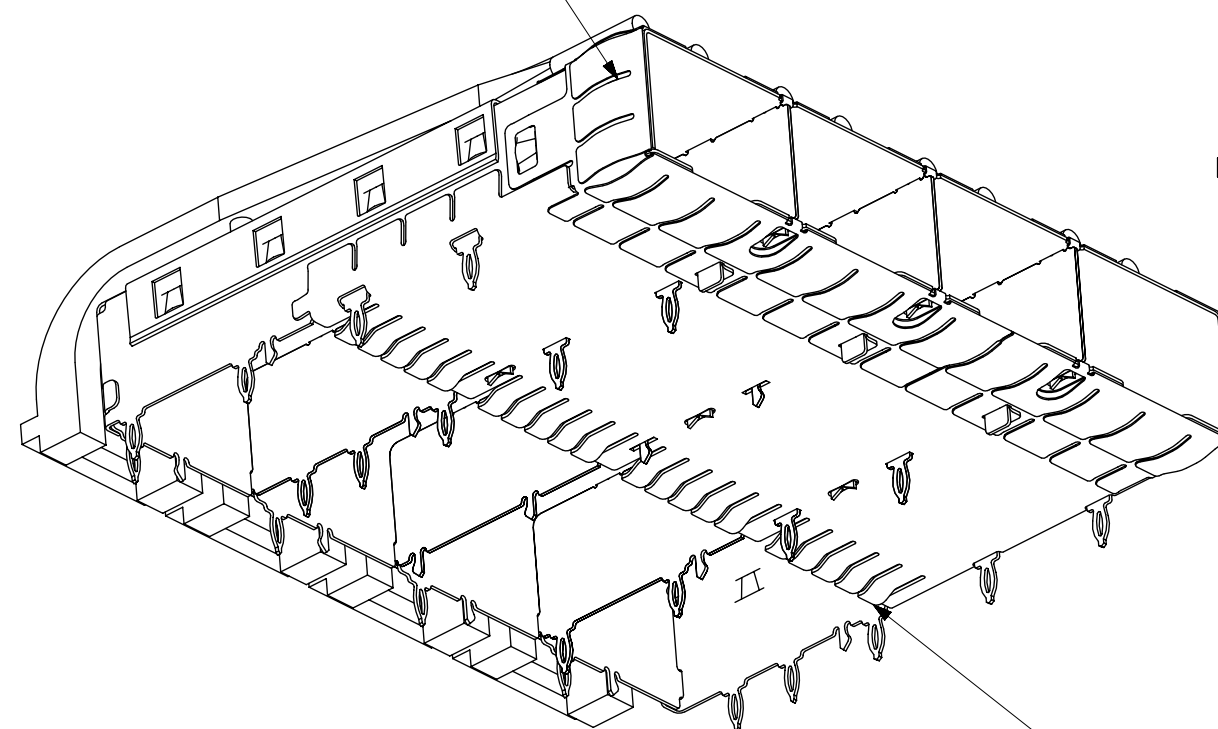
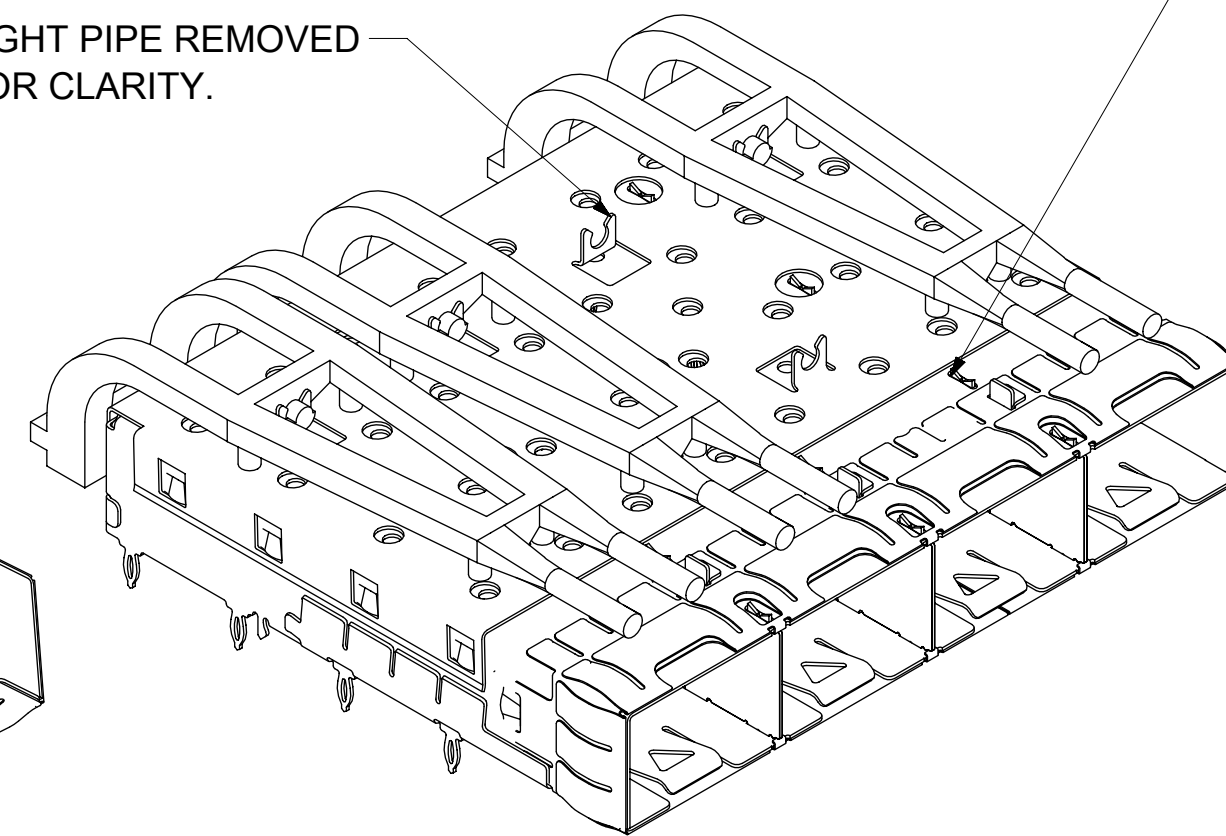


EMI SPRING FINGERS

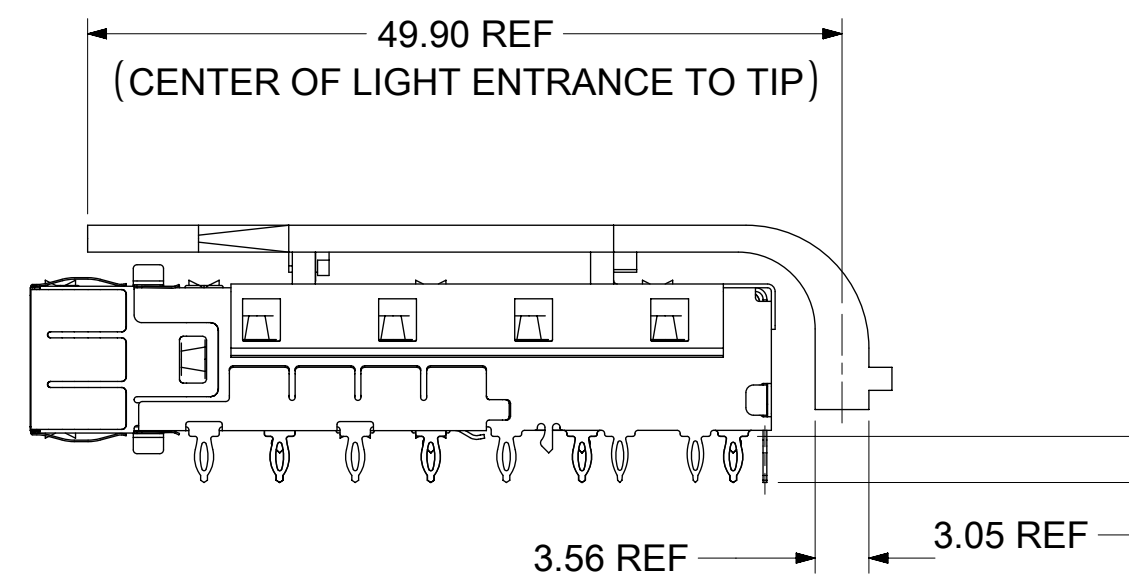
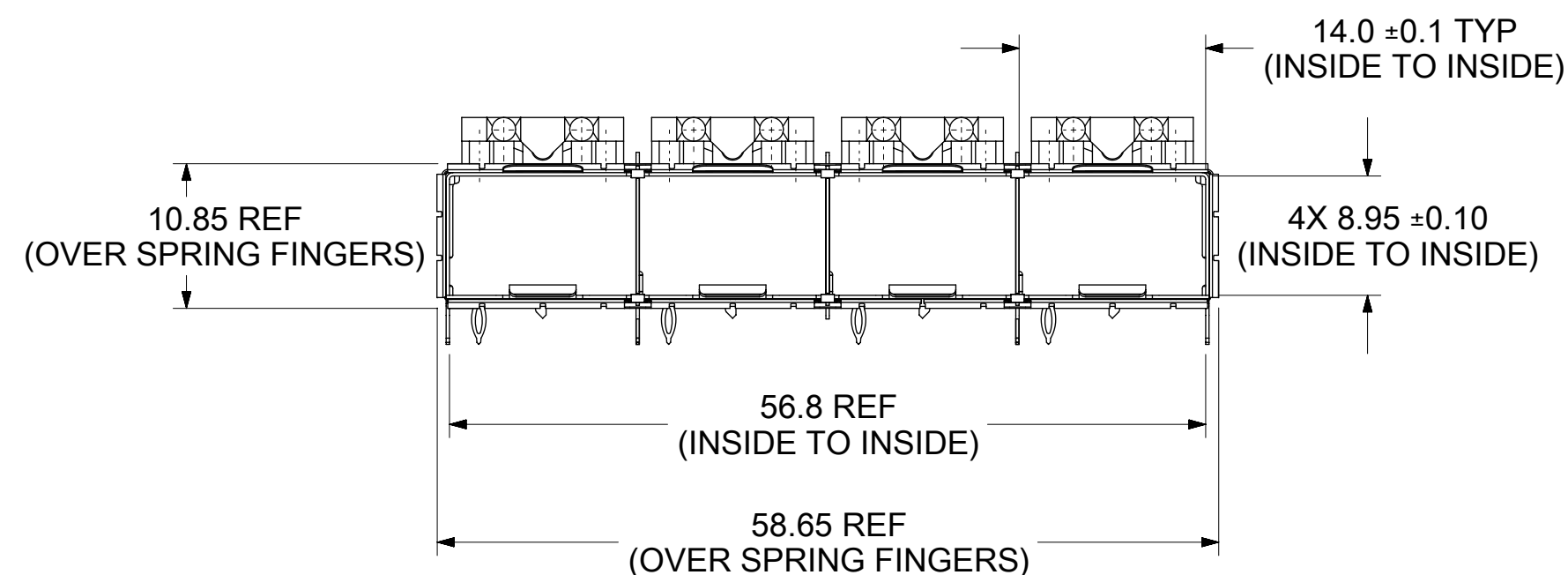


UNDERBELLY SPRING FINGERS

LIGHT PIPE REMOVED FOR CLARITY.



INNER WALLS ARE COINED OVER BASE AND COVER FOR EXCELLENT RIGIDITY.



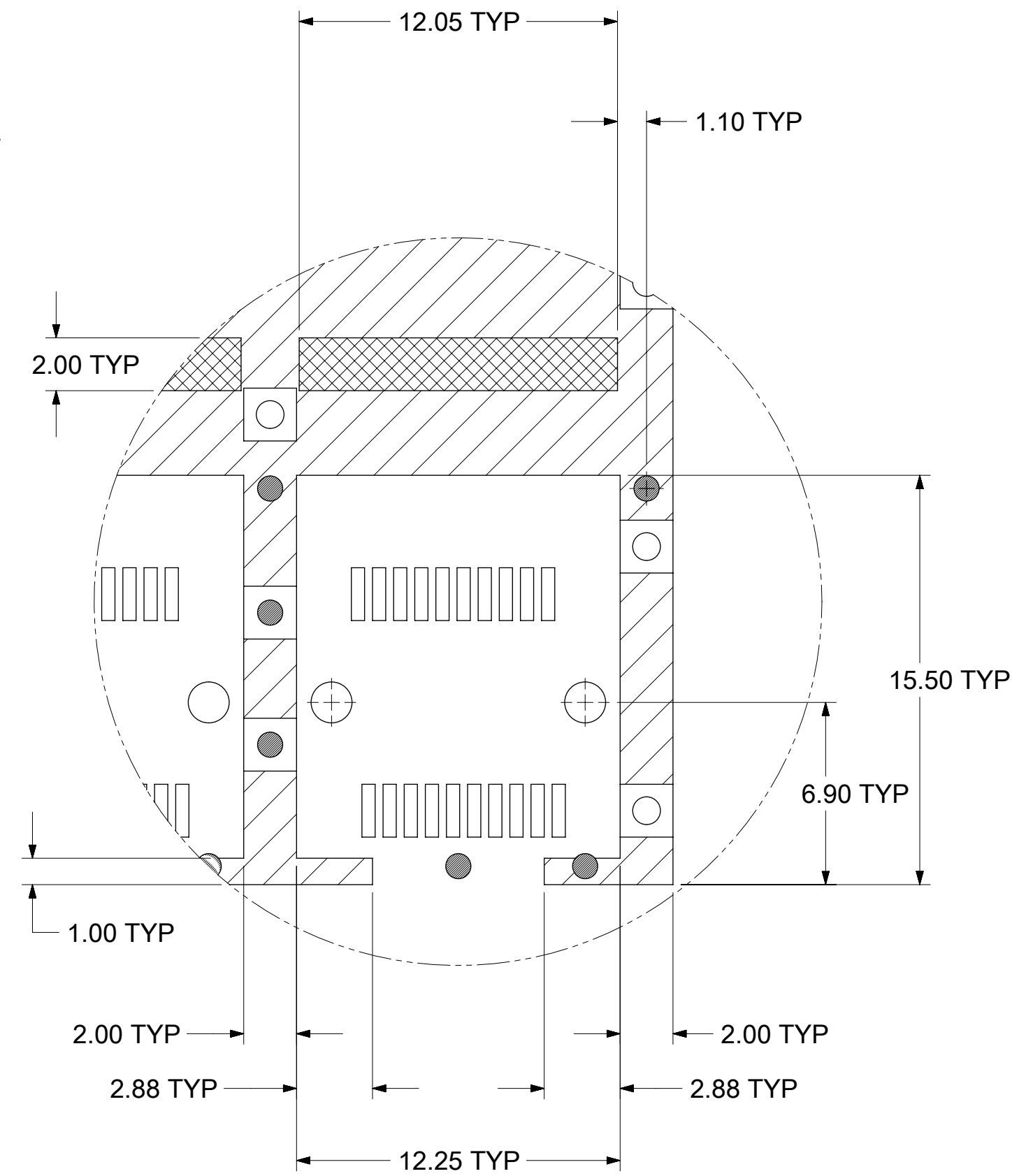
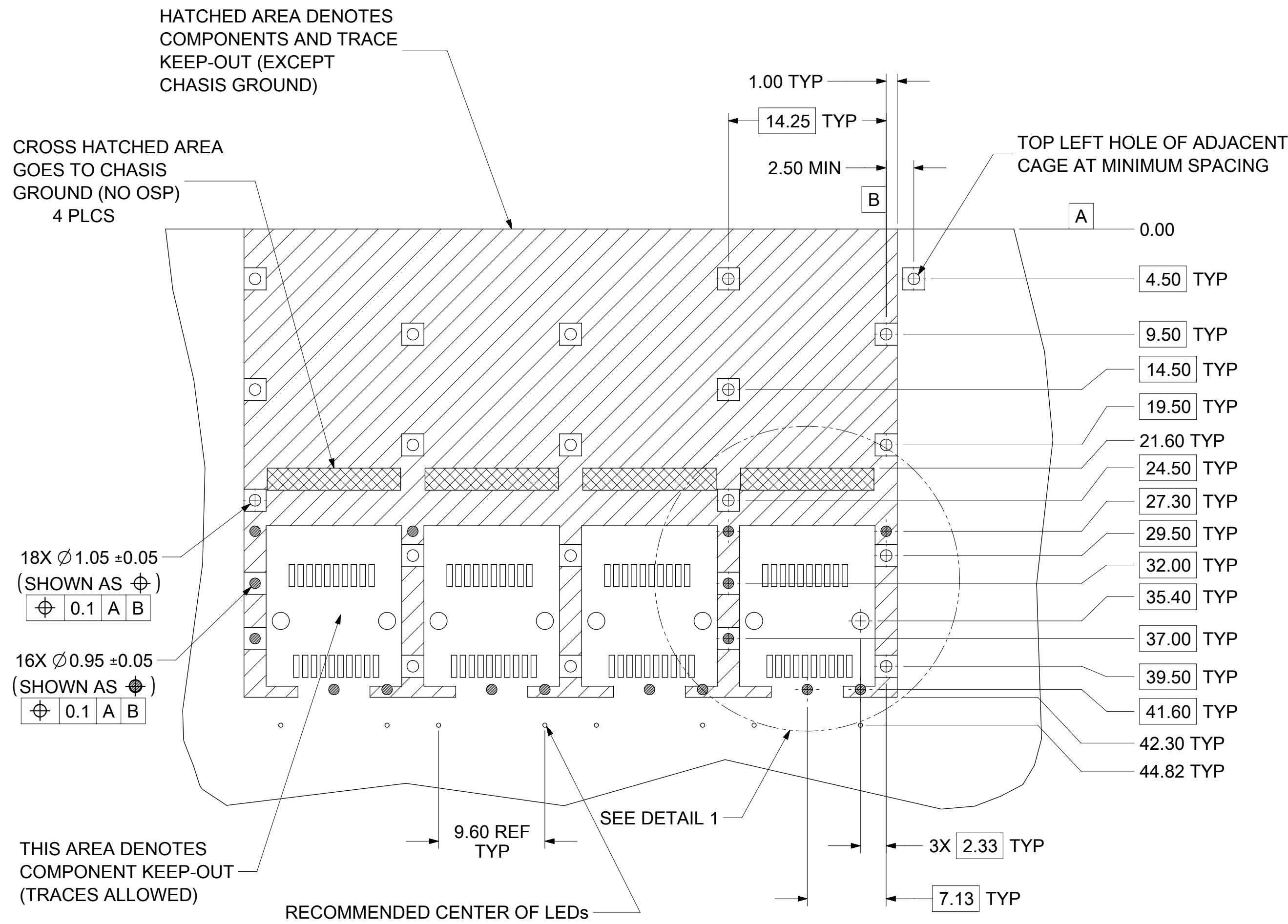
NOTES:

- MATERIAL:  
CAGE: NICKEL PLATED COPPER ALLOY, THICKNESS 0.25mm.  
SPRING FINGER: STAINLESS STEEL.  
LIGHT PIPE COVER: NICKEL PLATED COPPER ALLOY.  
LIGHT PIPE: POLYCARBONATE (94-V0 RATED)
- PORTS ARE DESIGNED FOR SFP+ TRANSCEIVERS AND ARE COMPATIBLE WITH SFP TRANSCEIVERS.
- WELD SPOTS WILL SHOW SLIGHT DISCOLORATION.
- IT IS NOT RECOMMENDED TO PRESS ON LIGHT PIPES WHEN INSTALLING CAGE.
- NO RoHS EXEMPTIONS.

FUNCTIONAL SYMBOLS FA = 0 FE = 0 FP = 0	THIS DRAWING CONTAINS INFORMATION THAT IS PROPRIETARY TO MOLEX ELECTRONIC TECHNOLOGIES, LLC AND SHOULD NOT BE USED WITHOUT WRITTEN PERMISSION		CURRENT REV DESC: SEE REVISION TABLE		<b>molex</b>
	DIMENSION UNITS	SCALE			
	mm	2:1			
	GENERAL TOLERANCES (UNLESS SPECIFIED)				PRODUCT CUSTOMER DRAWING
ANGULAR TOL ± 1.0°				DOCUMENT NUMBER	
4 PLACES ±		EC NO: 707270		747548715	
3 PLACES ±		DRWN: CHETHH2		PSD ASY A	
2 PLACES ± 0.15		CHK'D: TKUMARKC		SHEET NUMBER	
1 PLACE ± 0.25		APPR: SCHIEN		1 OF 5	
0 PLACES ±		INITIAL REVISION:			
DRAFT WHERE APPLICABLE MUST REMAIN WITHIN DIMENSIONS		DRWN: CHETHH2			
THIRD ANGLE PROJECTION		APPR: SCHIEN			
DRAWING		SERIES			
C-SIZE		74754			
MATERIAL NUMBER		CUSTOMER			
747548715					

DOCUMENT STATUS	P1	RELEASE DATE	2022/06/01	06:40:56
-----------------	----	--------------	------------	----------

# PCB LAYOUT FOR SINGLE SIDED MOUNTING



DETAIL 1  
SCALE 5:1

LAYOUT APPLIES TO EACH PORT

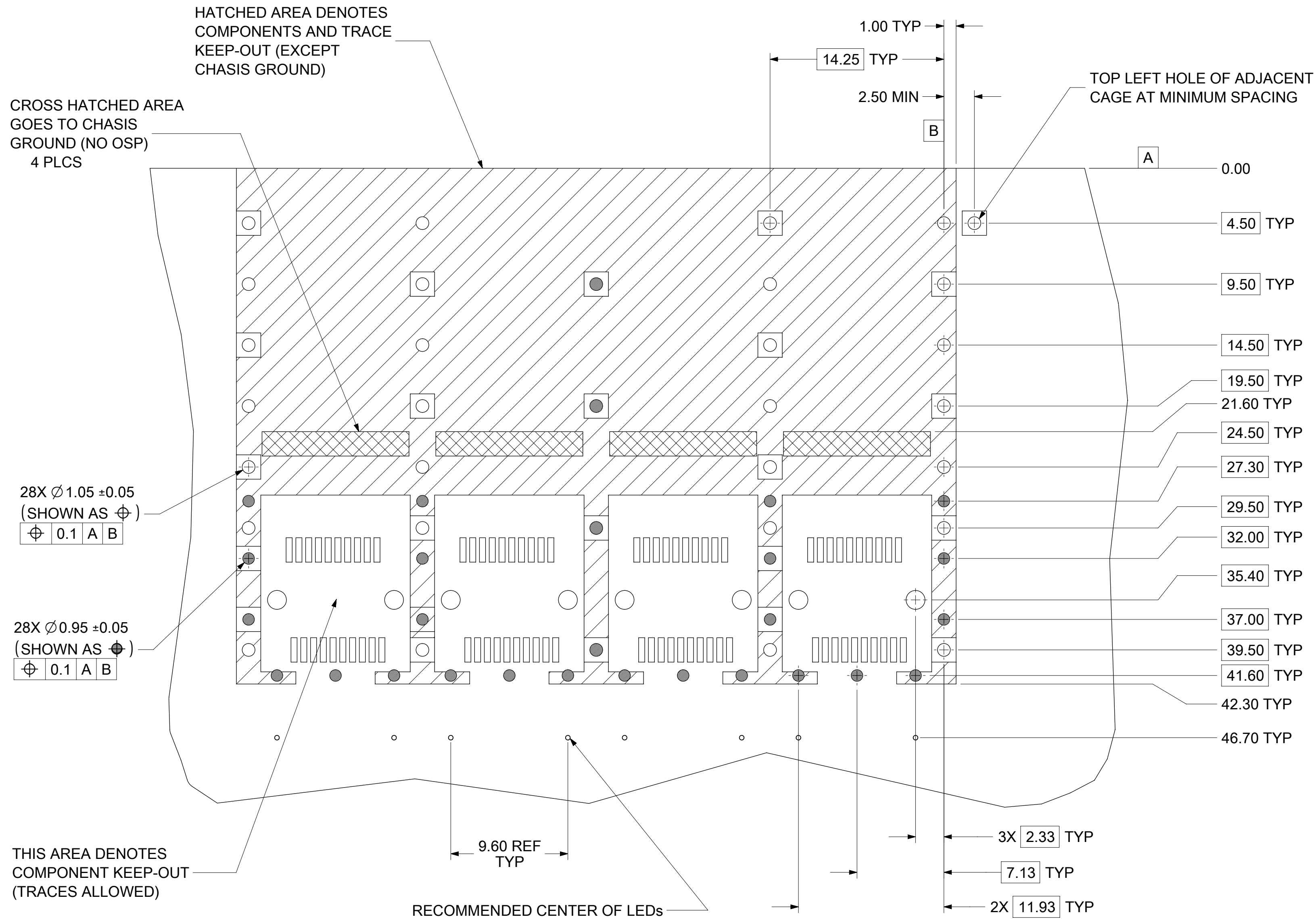
NOTES:

1. PADS AND VIAS CONNECT TO CHASSIS GROUND (RECOMMEND PADS TO BE 2.00mm SQUARE)
2. RECOMMENDED THRU HOLE PLATING INCLUDES HASL, OSP, OR IMMERSION (GOLD, SILVER, OR TIN).
3. CONNECTOR PAD LAYOUT PER SFP+ MSA WILL ACCOMMODATE MOLEX CONNECTOR SERIES 74441 OR EQUIVALENT.
4. HOLE PATTERN REPEATS FOR EACH PORT. SPACING BETWEEN PORTS IS 14.25mm.
5. 1.57 MINIMUM PCB THICKNESS FOR SINGLE SIDED MOUNTING USE.

FUNCTIONAL SYMBOLS	THIS DRAWING CONTAINS INFORMATION THAT IS PROPRIETARY TO MOLEX ELECTRONIC TECHNOLOGIES, LLC AND SHOULD NOT BE USED WITHOUT WRITTEN PERMISSION		CURRENT REV DESC: SEE REVISION TABLE		
	DIMENSION UNITS	SCALE			
$\frac{F}{A} = 0$	mm	3:1			1X4 SFP+ GANGED CAGE ASY PRESS FIT TYPE, W/SUS SF AND LOW PROFILE LIGHT PIPE
$\frac{F}{C} = 0$	GENERAL TOLERANCES (UNLESS SPECIFIED)				
$\frac{F}{P} = 0$	ANGULAR TOL ± 1.0°				PRODUCT CUSTOMER DRAWING
DIVISIONAL SYMBOLS	4 PLACES ±		EC NO: 707270	2022/04/18	
	3 PLACES ±		DRWN: CHETHH2	2022/05/25	
	2 PLACES ± 0.15		CHK'D: TKUMARKC	2022/06/01	
	1 PLACE ± 0.25		APPR: SCHIEN		
	0 PLACES ±		INITIAL REVISION:		
	DRAFT WHERE APPLICABLE MUST REMAIN WITHIN DIMENSIONS		DRWN: CHETHH2	2022/04/18	DOCUMENT NUMBER
	THIRD ANGLE PROJECTION		APPR: SCHIEN	2022/06/01	747548715
	DRAWING		SERIES	MATERIAL NUMBER	CUSTOMER
	C-SIZE		74754	747548715	
					SHEET NUMBER
					2 OF 5

DOCUMENT STATUS	P1	RELEASE DATE	2022/06/01	06:40:56
-----------------	----	--------------	------------	----------

# PCB LAYOUT FOR BELLY TO BELLY MOUNTING



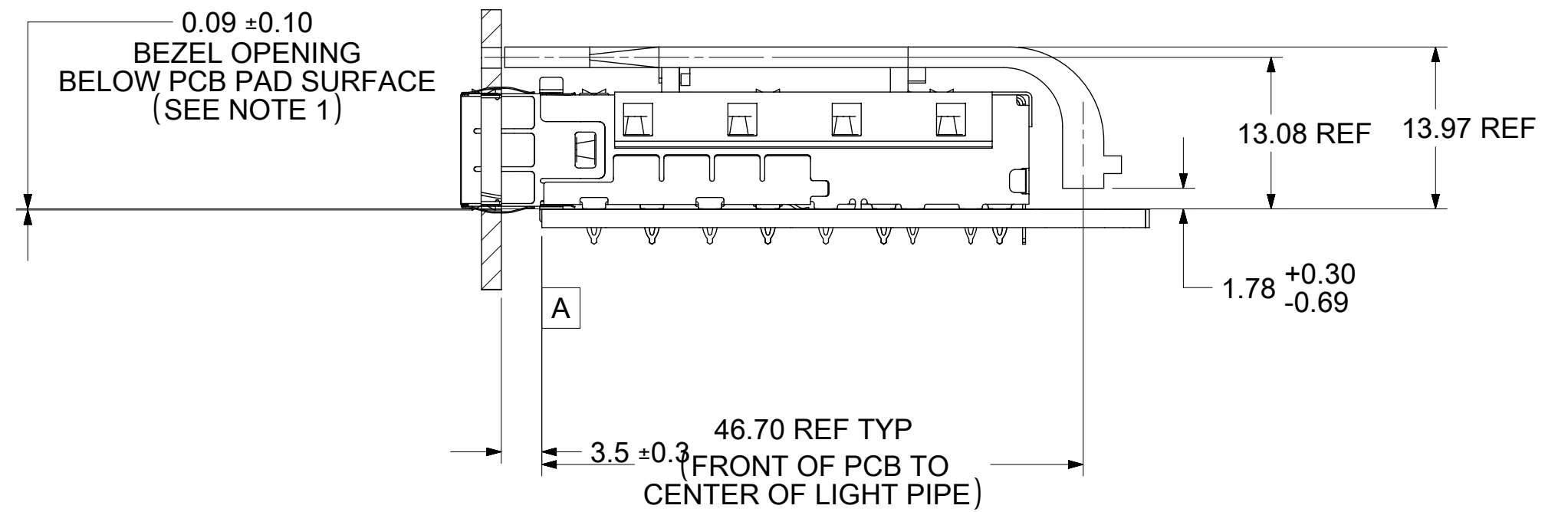
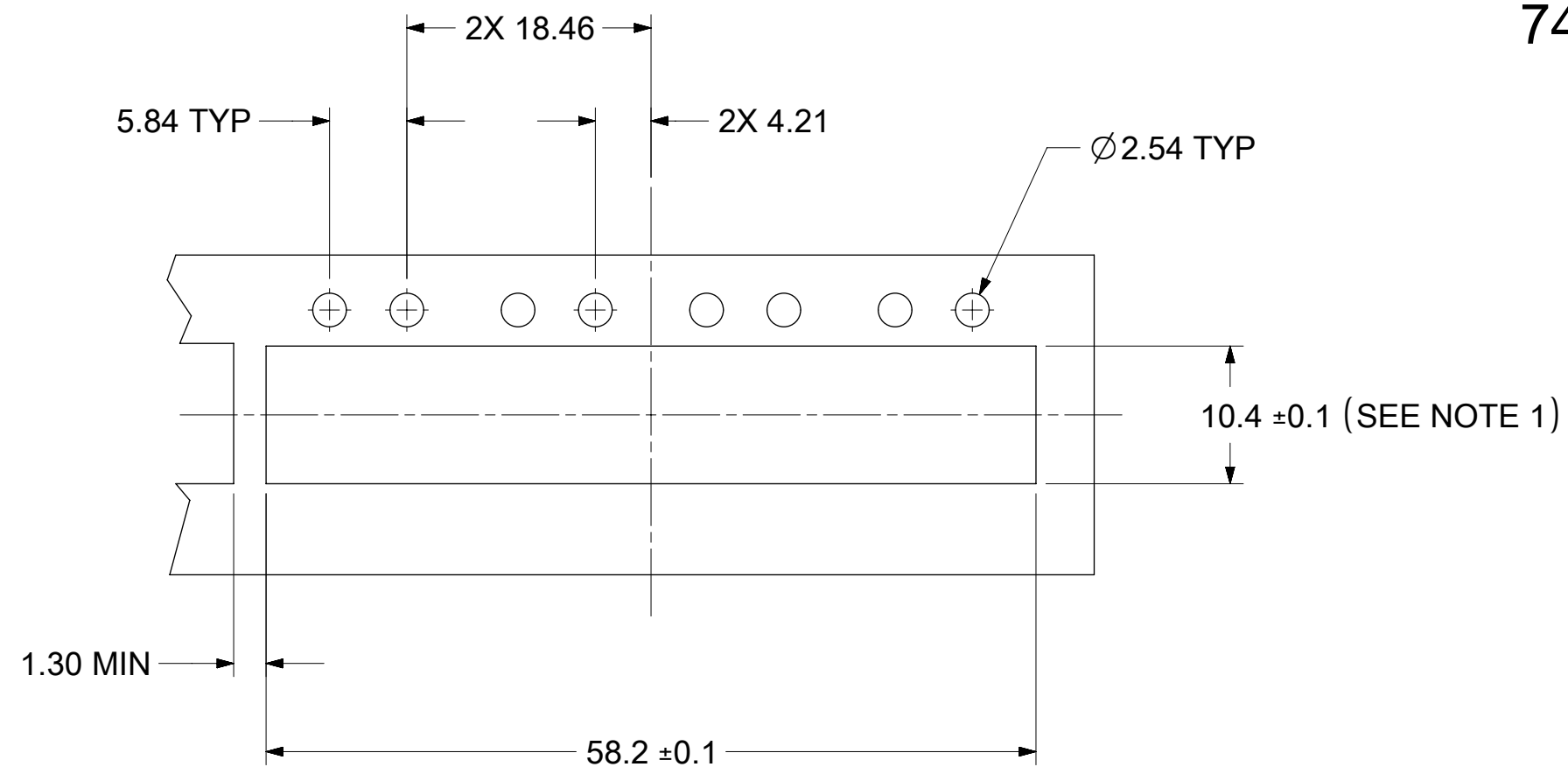
**NOTES:**

1. PADS AND VIAS CONNECT TO CHASSIS GROUND (RECOMMEND PADS TO BE 2.00mm SQUARE)
2. RECOMMENDED THRU HOLE PLATING INCLUDES HASL, OSP, OR IMMERSION (GOLD, SILVER, OR TIN).
3. CONNECTOR PAD LAYOUT PER SFP+ MSA WILL ACCOMMODATE MOLEX CONNECTOR SERIES 74441 OR EQUIVALENT.
4. HOLE PATTERN REPEATS FOR EACH PORT. SPACING BETWEEN PORTS IS 14.25mm.
5. 3.00 MINIMUM PCB THICKNESS FOR BELLY TO BELLY USE.

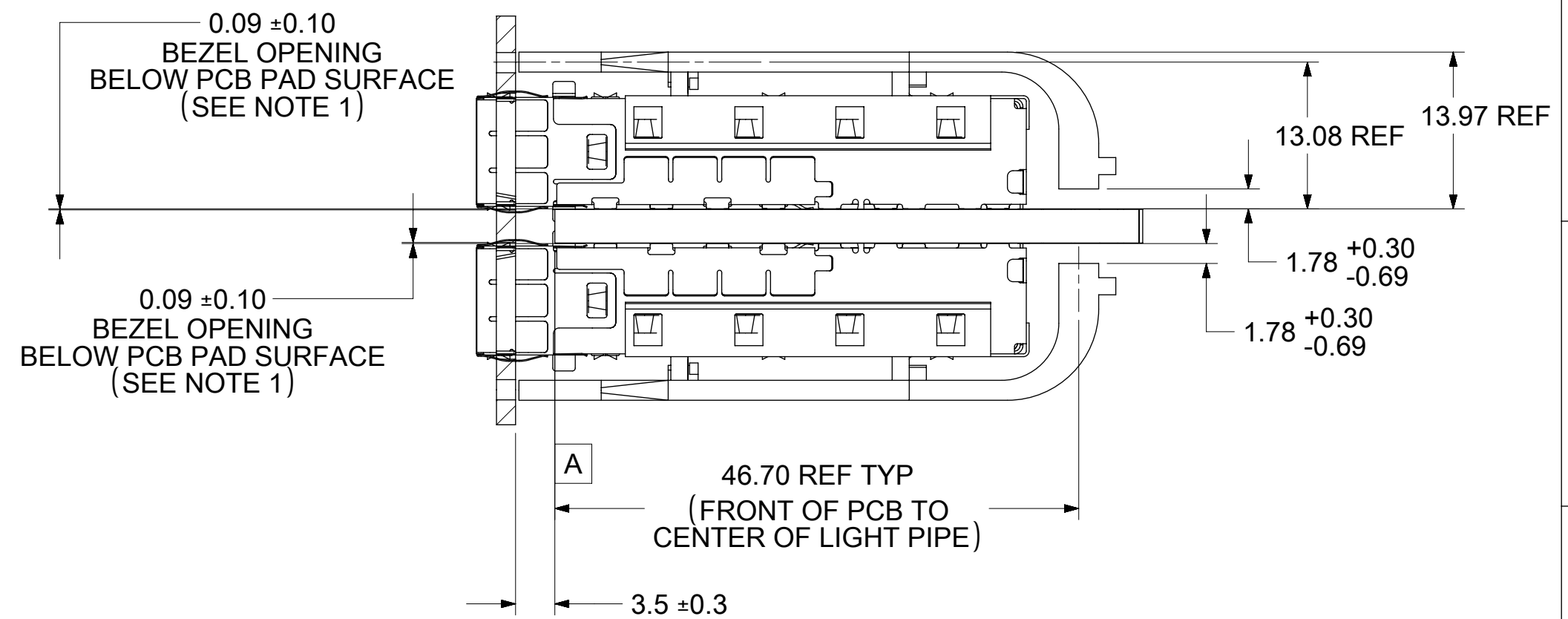
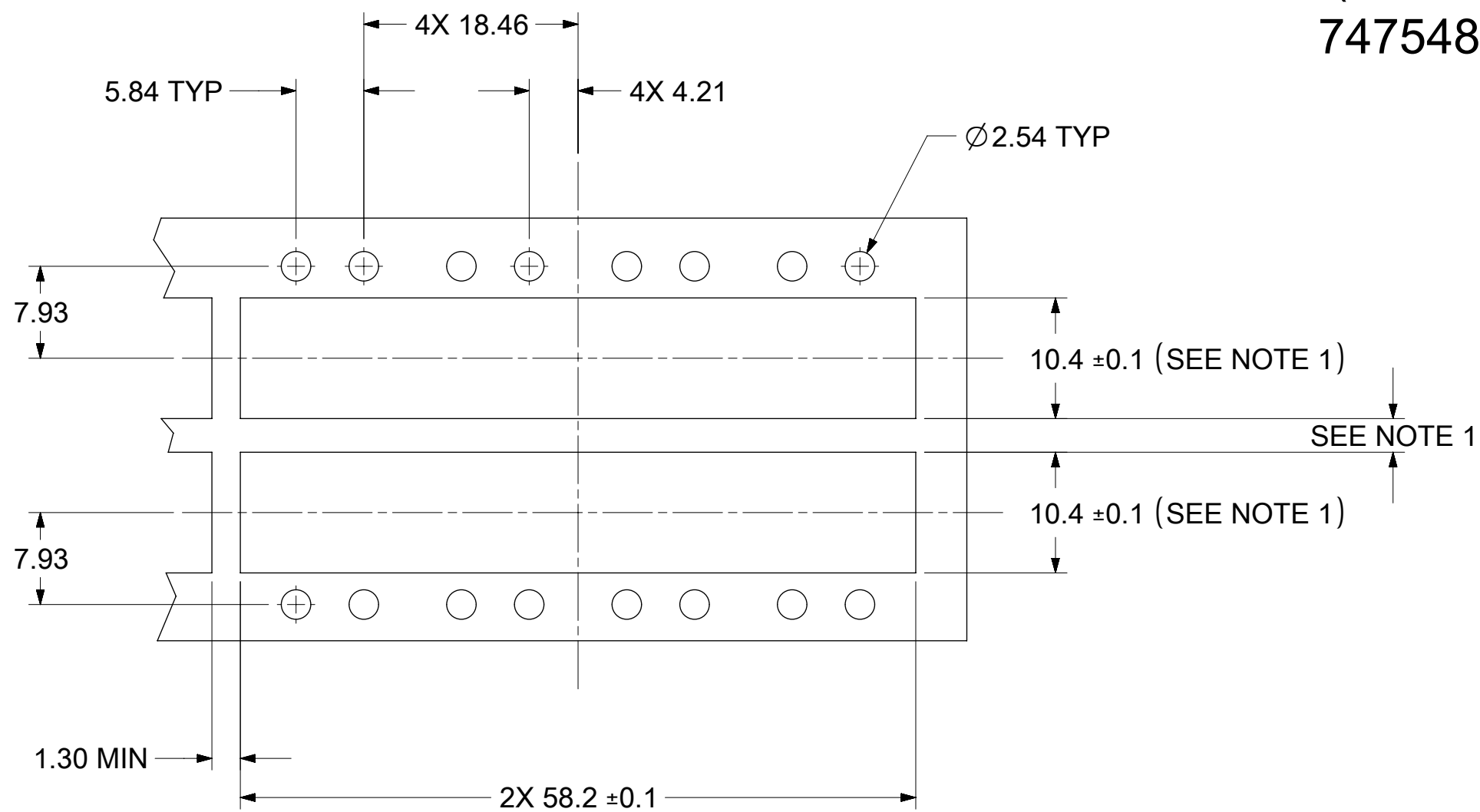
FUNCTIONAL SYMBOLS	THIS DRAWING CONTAINS INFORMATION THAT IS PROPRIETARY TO MOLEX ELECTRONIC TECHNOLOGIES, LLC AND SHOULD NOT BE USED WITHOUT WRITTEN PERMISSION		CURRENT REV DESC: SEE REVISION TABLE	
	DIMENSION UNITS	SCALE		
$\overline{A} = 0$	mm	4:1		
$\overline{C} = 0$	GENERAL TOLERANCES (UNLESS SPECIFIED)			
	ANGULAR TOL $\pm 1.0^\circ$			
DIVISIONAL SYMBOLS	4 PLACES	$\pm$		
	3 PLACES	$\pm$		
	2 PLACES	$\pm 0.15$		
	1 PLACE	$\pm 0.25$		
0 PLACES	$\pm$			
DRAFT WHERE APPLICABLE MUST REMAIN WITHIN DIMENSIONS		THIRD ANGLE PROJECTION	DRAWING	SERIES
			C-SIZE	74754
		EC NO: 707270		2022/04/18
		DRWN: CHETHH2		2022/05/25
		CHK'D: TKUMARKC		2022/06/01
		APPR: SCHIEN		
		INITIAL REVISION:		
		DRWN: CHETHH2		2022/04/18
		APPR: SCHIEN		2022/06/01
		PRODUCT CUSTOMER DRAWING		
		DOCUMENT NUMBER	DOC TYPE	DOC PART
		747548715	PSD	ASY
		MATERIAL NUMBER	CUSTOMER	SHEET NUMBER
		747548715		3 OF 5

SEE SHEET 2 FOR HOST CONNECTOR DETAIL

# BEZEL AND BOARD POSITION DIMENSIONS FOR SINGLE SIDED MOUNTING (SPRING FINGER) 747548715 SHOWN



# BEZEL AND BOARD POSITION DIMENSIONS FOR BELLY TO BELLY MOUNTING (SPRING FINGER) 747548715 SHOWN



**NOTES:**

1. PCB THICKNESS VARIATION MUST BE CONSIDERED WHEN DETERMINING BEZEL OPENING, SIZE, AND LOCATION.

<b>FUNCTIONAL SYMBOLS</b>	THIS DRAWING CONTAINS INFORMATION THAT IS PROPRIETARY TO MOLEX ELECTRONIC TECHNOLOGIES, LLC AND SHOULD NOT BE USED WITHOUT WRITTEN PERMISSION													
$\frac{F}{A} = 0$	DIMENSION UNITS	SCALE	CURRENT REV DESC: SEE REVISION TABLE							<b>molex</b>				
$\frac{F}{C} = 0$	mm	2:1												
$\frac{F}{P} = 0$	GENERAL TOLERANCES (UNLESS SPECIFIED)		EC NO: 707270							1X4 SFP+ GANGED CAGE ASY PRESS FIT TYPE, W/SUS SF AND LOW PROFILE LIGHT PIPE				
	ANGULAR TOL ± 1.0°		DRWN: CHETHH2 2022/04/18											
<b>DIVISIONAL SYMBOLS</b>	4 PLACES ±		CHK'D: TKUMARKC 2022/05/25							PRODUCT CUSTOMER DRAWING				
	3 PLACES ±		APPR: SCHIEN 2022/06/01											
	2 PLACES ± 0.15		INITIAL REVISION:							DOCUMENT NUMBER <b>747548715</b>				
	1 PLACE ± 0.25		DRWN: CHETHH2 2022/04/18											
	0 PLACES ±		APPR: SCHIEN 2022/06/01							DOC TYPE DOC PART REVISION PSD ASY A				
DRAFT WHERE APPLICABLE MUST REMAIN WITHIN DIMENSIONS			THIRD ANGLE PROJECTION		DRAWING		SERIES		MATERIAL NUMBER			CUSTOMER		SHEET NUMBER
					C-SIZE		74754		747548715				4 OF 5	

REV	DATE	DESCRIPTION
A	2022/05/25	INITIAL RELEASE

FUNCTIONAL SYMBOLS	THIS DRAWING CONTAINS INFORMATION THAT IS PROPRIETARY TO MOLEX ELECTRONIC TECHNOLOGIES, LLC AND SHOULD NOT BE USED WITHOUT WRITTEN PERMISSION													
	DIMENSION UNITS	SCALE	CURRENT REV DESC: SEE REVISION TABLE							<b>molex</b>				
	$\frac{F}{A} = 0$	mm 1:1	EC NO: 707270 DRWN: CHETHH2 2022/04/18 CHK'D: TKUMARKC 2022/05/25 APPR: SCHIEN 2022/06/01											
DIVISIONAL SYMBOLS	GENERAL TOLERANCES (UNLESS SPECIFIED)		PRODUCT CUSTOMER DRAWING							DOCUMENT NUMBER		DOC TYPE	DOC PART	REVISION
	ANGULAR TOL	$\pm 1.0^\circ$	INITIAL REVISION:							747548715	PSD	ASY	A	
	4 PLACES	$\pm$	DRWN: CHETHH2 2022/04/18							MATERIAL NUMBER				
	3 PLACES	$\pm$	APPR: SCHIEN 2022/06/01							CUSTOMER				
	2 PLACES	$\pm 0.15$	DRAFT WHERE APPLICABLE MUST REMAIN WITHIN DIMENSIONS							SHEET NUMBER				
1 PLACE	$\pm 0.25$	THIRD ANGLE PROJECTION		DRAWING	SERIES	MATERIAL NUMBER		CUSTOMER	SHEET NUMBER					
0 PLACES	$\pm$			C-SIZE	74754	747548715			5 OF 5					