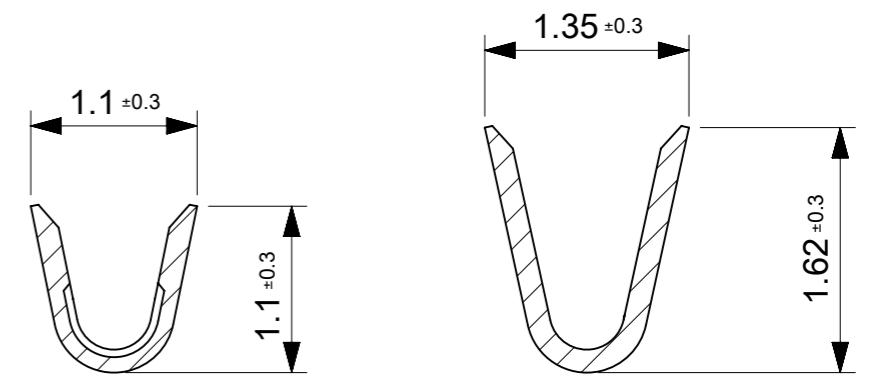
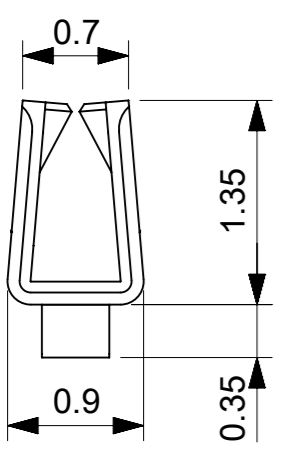
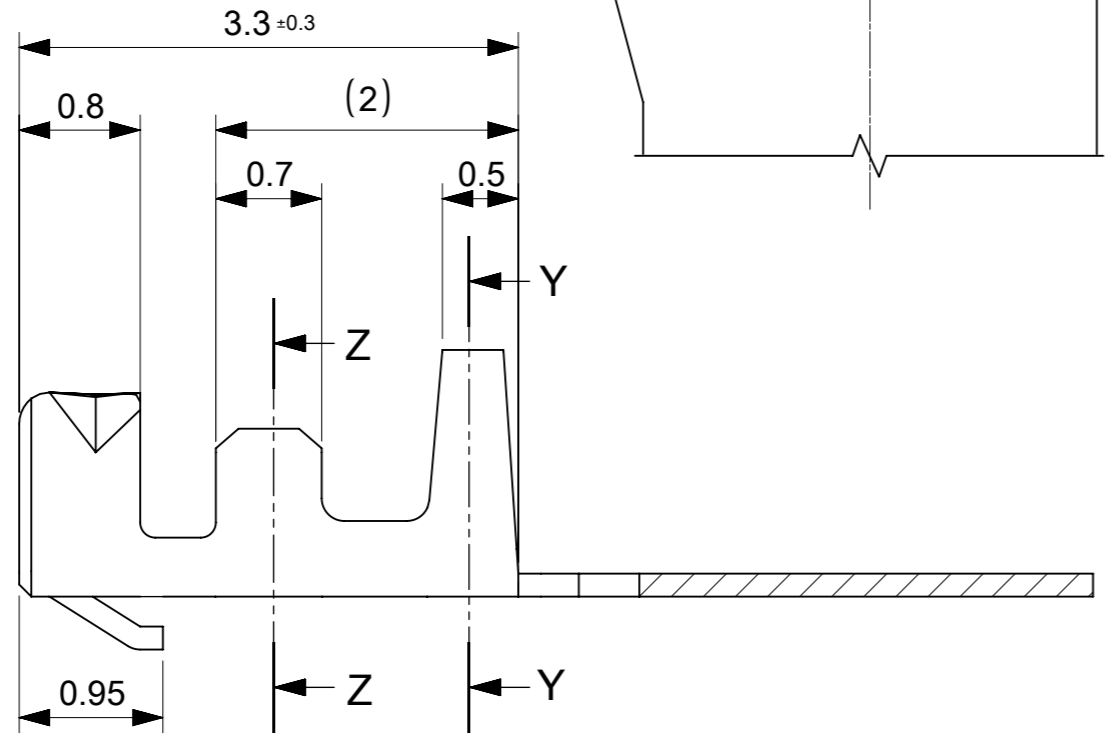
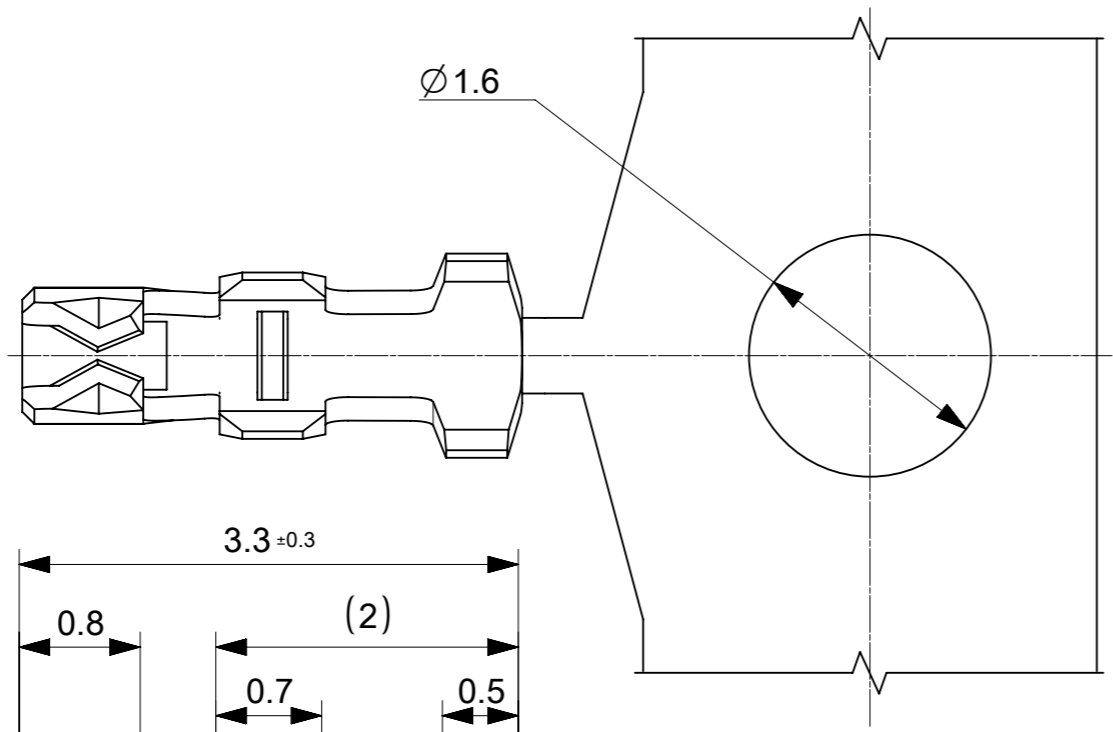


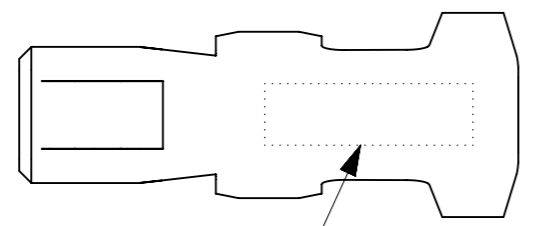
NOTE

- 1 材料及び仕上げ(めっき仕様) : TABLE 1 参照
MATERIAL AND FINISHES : SEE TABLE 1
- 2 適合製品および各種仕様書についてはSHEET 2 を参照。
PLEASE REFER TO SHEET 2 FOR APPLICABLE PRODUCTS AND SPECIFICATIONS.
- 3. 本製品は錫めっき品です。
金めっき品は500790000-SDを参照ください。
THIS PRODUCT IS TIN PLATING TYPE.
PLEASE REFER TO 500790000-SD FOR GOLD PLATING TYPE.

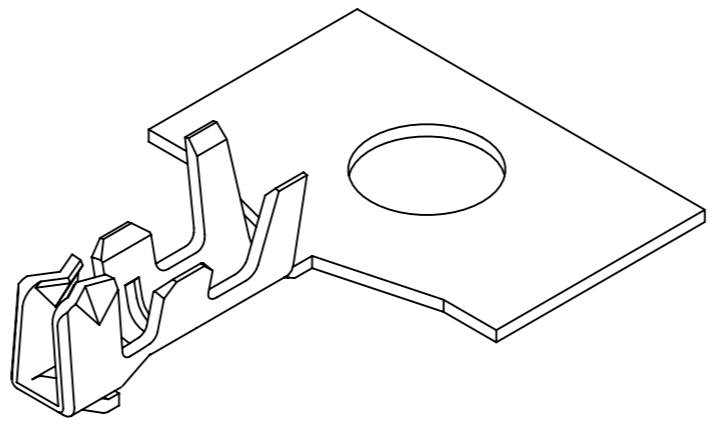


SECTION Z-Z

SECTION Y-Y



トレードマーク
TRADE MARK



1 TABLE 1

| 部品 PART | 材質 MATERIAL |
|-------------------|---|
| ターミナル TERMINAL | りん青銅 PHOSPHOR BRONZE 錫めっき 0.9 MICROMETER MINIMUM (リフロー処理、前めっき) TIN PLATING 0.9 MICROMETER MINIMUM (REFLOW TREATMENT, PRE-PLATED) |

DOCUMENT STATUS | P1 | RELEASE DATE | 2021/12/24 09:26:41

| | | | | |
|---|----------------------|--|--------------|---------------------|
| Φ0.5-Φ1.04 | AWG#26-28 | ポリ袋 POLY BAG | バラ状 LOOSE | 500798100 |
| | | リール REEL | 連鎖状 CHAIN | 500798000 |
| 被覆外径 INSULATION RANGE | 適用電線範囲 WIRE RANGE | 梱包形態 PACKING | 端子形状 FORM | オーダー番号 ORDER NO. |
| THIS DRAWING CONTAINS INFORMATION THAT IS PROPRIETARY TO MOLEX ELECTRONIC TECHNOLOGIES, LLC AND SHOULD NOT BE USED WITHOUT WRITTEN PERMISSION | | | | |
| DIMENSION UNITS mm | SCALE NTS | CURRENT REV DESC: | | |
| GENERAL TOLERANCES (UNLESS SPECIFIED) | | <p>PICOBLADE 1.25 RECEPTACLE CRIMP TERMINAL TIN PLATING AWG26-28</p> | | |
| ANGULAR TOL | ± 3.0° | | | |
| 4 PLACES | ± 0.2 | | | |
| 3 PLACES | ± 0.2 | | | |
| 2 PLACES | ± 0.2 | | | |
| 1 PLACE | ± 0.2 | INITIAL REVISION: | | |
| 0 PLACES | ± 0.2 | DRWN: QHE31 | 2021/12/15 | |
| | | CHK'D: SAKIYAMA | 2021/12/21 | |
| | | APPR: KOMURAKAMI | 2021/12/24 | |
| DRAFT WHERE APPLICABLE MUST REMAIN WITHIN DIMENSIONS | | THIRD ANGLE PROJECTION | DRAWING | SERIES |
| | | | A3-SIZE | 50079 |
| | | MATERIAL NUMBER | CUSTOMER | SHEET NUMBER |
| | | 500790001-SD | GENERAL | 1 OF 2 |

10 9 8 7 6 5 4 3 2 1

F

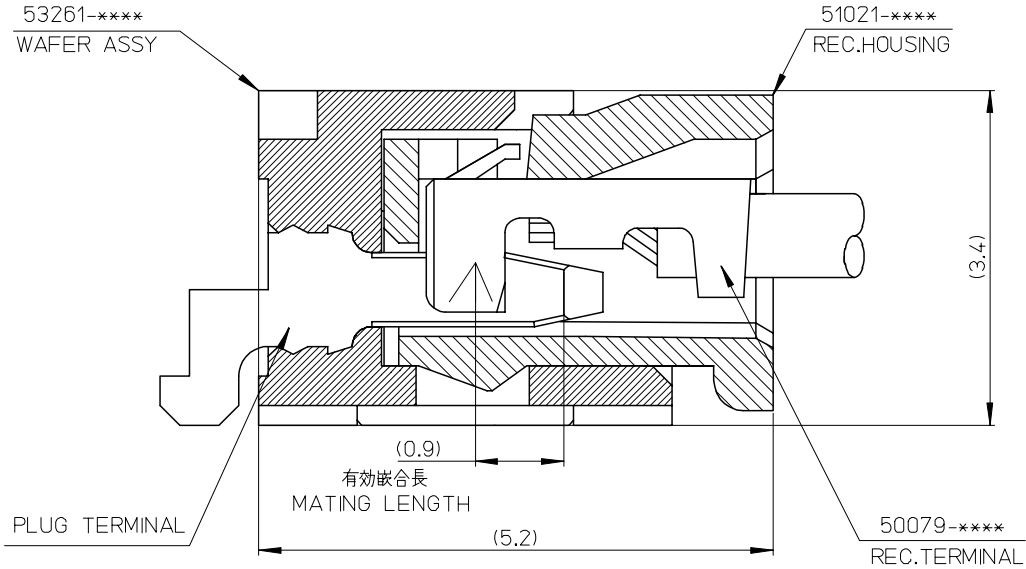
E

D

C

B

A



| | | |
|------------|------------|------------------------|
| 53261-**** | WAFER ASSY | MODEL NO./MATERIAL NO. |
| 50079-**** | TERMINAL | |
| 51021-**** | HOUSING | |

| | | | | | | | | |
|--|--|---------|----------------------------|--------------------|---|------------------------|------------------------|--|
| RELEASED EC NO: J2006-2426 DRWN: A0YAGI 2006/02/02 CHKD: YMAEDA 2006/02/03 APPR: NUKITA 2006/02/07 | GENERAL TOLERANCES (UNLESS SPECIFIED) | | DIMENSION STYLE MM ONLY | | SCALE --- | DESIGN UNITS METRIC | THIRD ANGLE PROJECTION | |
| | 10 UNDER | ± --- | DRAWN BY Y. A0YAGI | DATE 2006/01/30 | TITLE 1.25 W-TO-B CONN. 51021,53261 MATING CROSS SECTION | | | |
| | 10 OVER 30 UNDER | ± --- | CHECKED BY Y. MAEDA | DATE 2006/01/30 | MOLEX INCORPORATED | | | |
| | 30 OVER | ± --- | APPROVED BY N. UKITA | DATE 2006/01/30 | DOCUMENT NO. SD-51021-002 | | | |
| | ANGULAR | ± --- ° | MATERIAL NO. SEE CHART | | SHEET NO. 1 OF 1 | | | |
| 0 | DRAFT WHERE APPLICABLE MUST REMAIN WITHIN DIMENSIONS | | SIZE A3 | | THIS DRAWING CONTAINS INFORMATION THAT IS PROPRIETARY TO MOLEX INCORPORATED AND SHOULD NOT BE USED WITHOUT WRITTEN PERMISSION | | | |

9

8

7

6

5

4

3

2