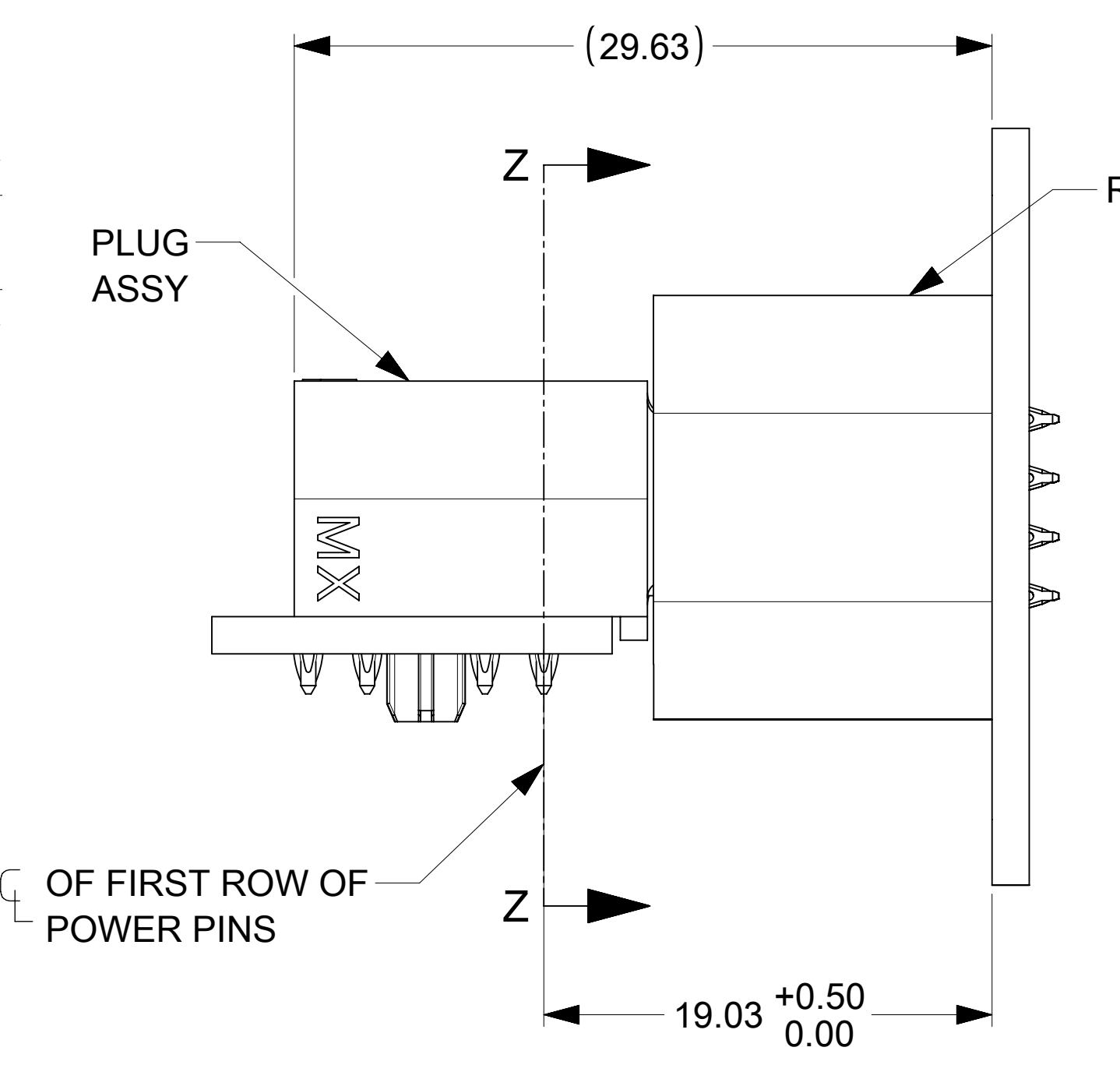
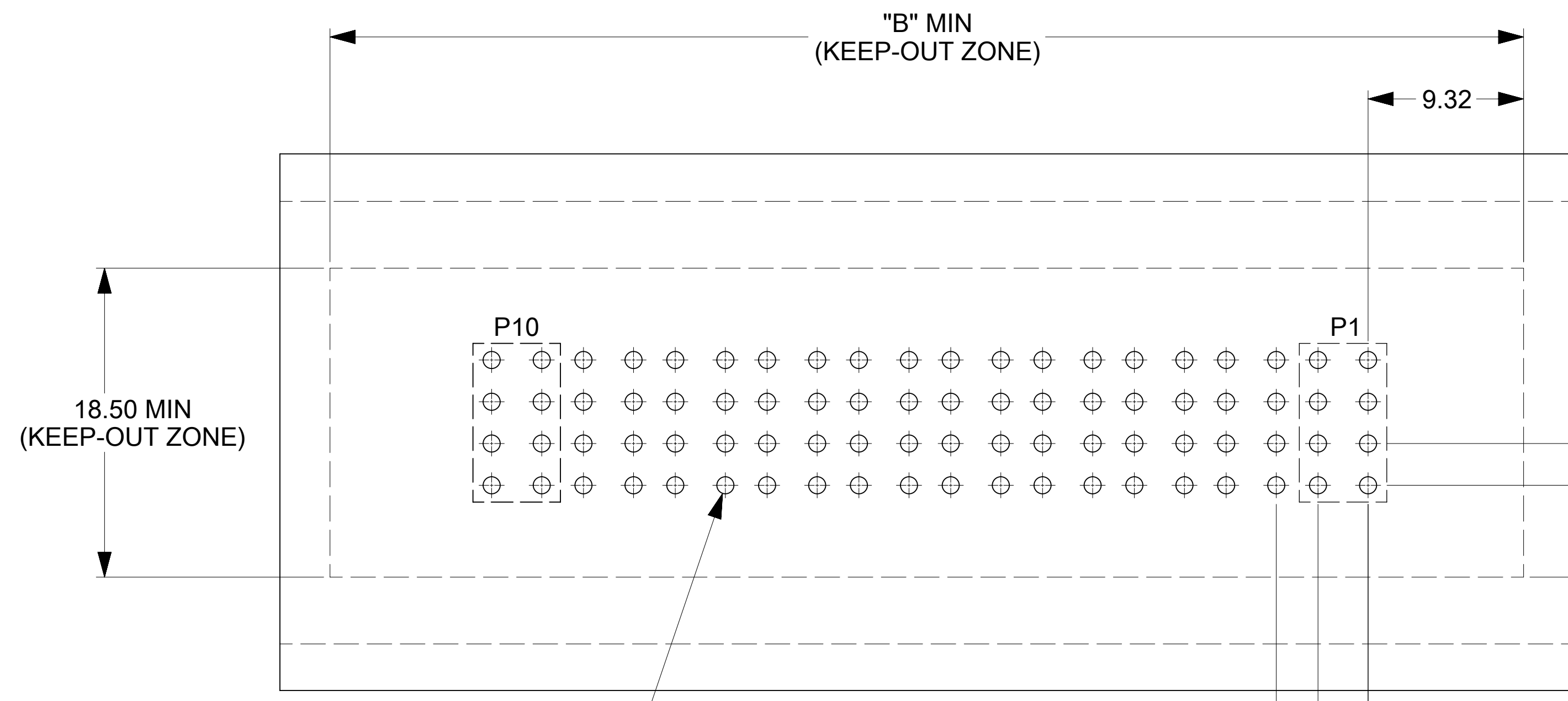
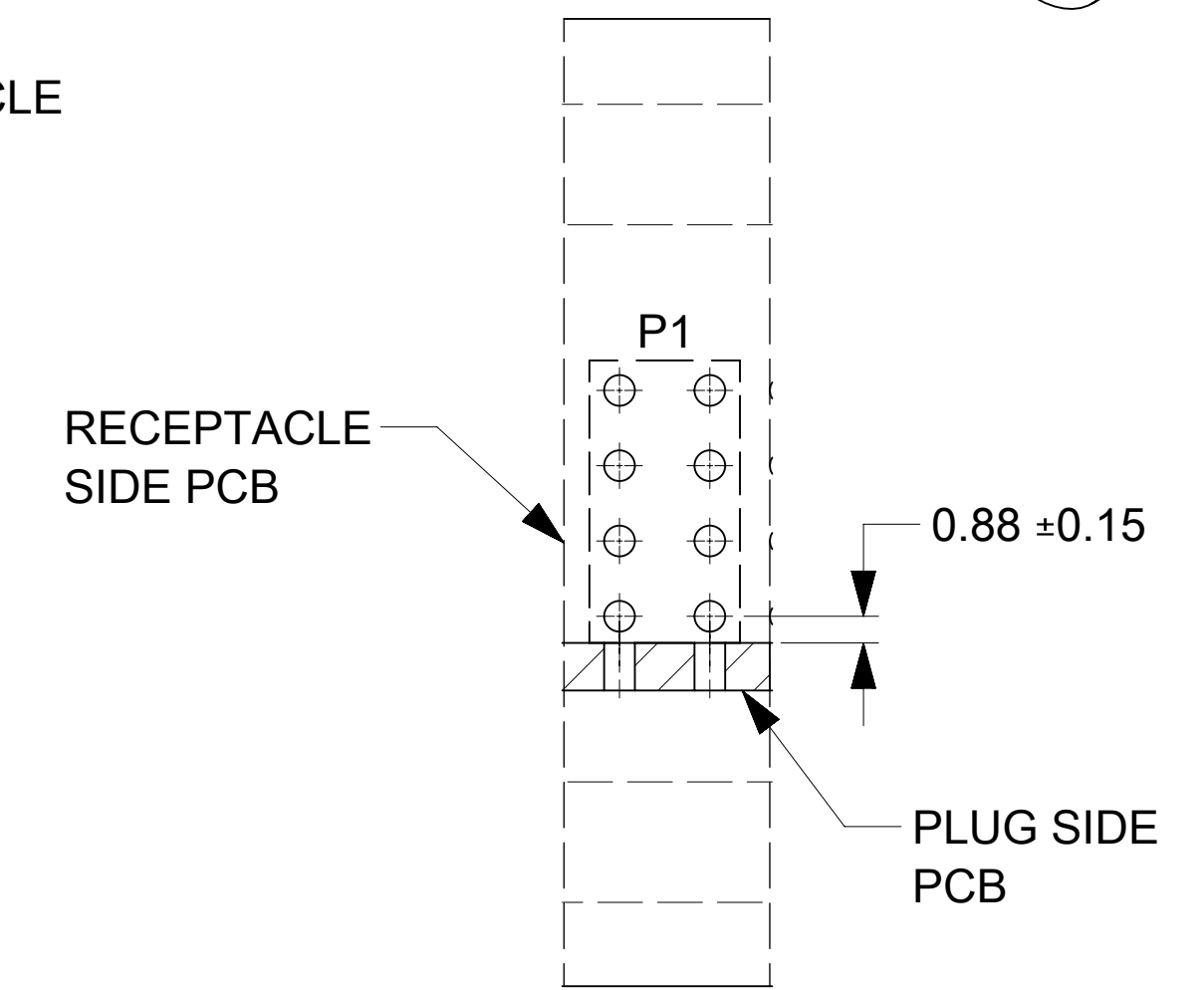


ALLOW EXTRA SPACE
4.00 MM PER SIDE
(REQUIRED FOR RE-WORK PER AS-46436-100)



P/N : 46562-9310 (G-10P-G)



- NOTES:
- MATERIAL:
 - HOUSINGS: LCP UL94, V-0, COLOR : BLACK
 - TERMINALS: HIGH CONDUCTIVITY COPPER ALLOY
 - PLATING: 1.27 MICROMETER (50 MICROINCH) NICKEL OVERALL WITH 2.54 MICROMETER (100 MICROINCH) SELECTIVE TIN ON TAILS AND 0.762 MICROMETER (30 MICROINCH) SELECTIVE GOLD ON CONTACT AREA
 - PACKAGING: ASSEMBLIES TO BE TRAY PACKED PER PACKAGING SPEC: 465621001-PK
 - PLATED THRU HOLE SIZE, REFER TO PS-46436-100 FOR DETAILS
 - PRODUCT SPEC: PS-46436-100
 - PRODUCT TO MEET RoHS REQUIREMENTS
 - ASSEMBLY MATES TO MOLEX PLUG ASSEMBLY P/N 46437-**** (SEE TABLE IN SHEET 2).
 - TAIL DESIGN: COMPLIANT PINS
 - POWER CONTACTS ARE LUBRICATED.
 - APPLICATION SPEC: AS-46436-100.
 - MOLEX LOGO TO BE LOCATED APPROXIMATELY AS SHOWN.

⌀ 0.10 A B
⌀1.02 ±0.05 ("H1")
(SEE NOTE 3)

RECOMMENDED PCB LAYOUT AND KEEP-OUT ZONE FOR G-(1P TO 10P)-G

| | | | | | | | | | |
|---|--------|---|--|--------|--|---------------------------------------|--|-----------------------|--|
| THIS DRAWING CONTAINS INFORMATION THAT IS PROPRIETARY TO MOLEX ELECTRONIC TECHNOLOGIES, LLC AND SHOULD NOT BE USED WITHOUT WRITTEN PERMISSION | | | | | | | | | |
| DIMENSION UNITS | SCALE | CURRENT REV DESC: ADDED ISOMETRIC VIEWS | | | | | | | |
| mm | 4:1 | | | | | | | | |
| GENERAL TOLERANCES (UNLESS SPECIFIED) | | | | | | | | | |
| ANGULAR TOL | ± 0.5° | | | | | | | | |
| 4 PLACES | ± | EC NO: 689821 | | | | | | | |
| 3 PLACES | ± | DRWN: HARSHG 2021/12/13 | | | | | | | |
| 2 PLACES | ± 0.13 | CHK'D: GJEEVANSURES 2021/12/22 | | | | | | | |
| 1 PLACE | ± 0.25 | APPR: HTHYAGARAJ 2022/02/14 | | | | | | | |
| 0 PLACES | ± | INITIAL REVISION: | | | | | | | |
| DRAFT WHERE APPLICABLE MUST REMAIN WITHIN DIMENSIONS | | DRAWING | | SERIES | | MATERIAL NUMBER CUSTOMER SHEET NUMBER | | | |
| | | D-SIZE | | 46562 | | SEE TABLE | | GENERAL MARKET 1 OF 3 | |

molex

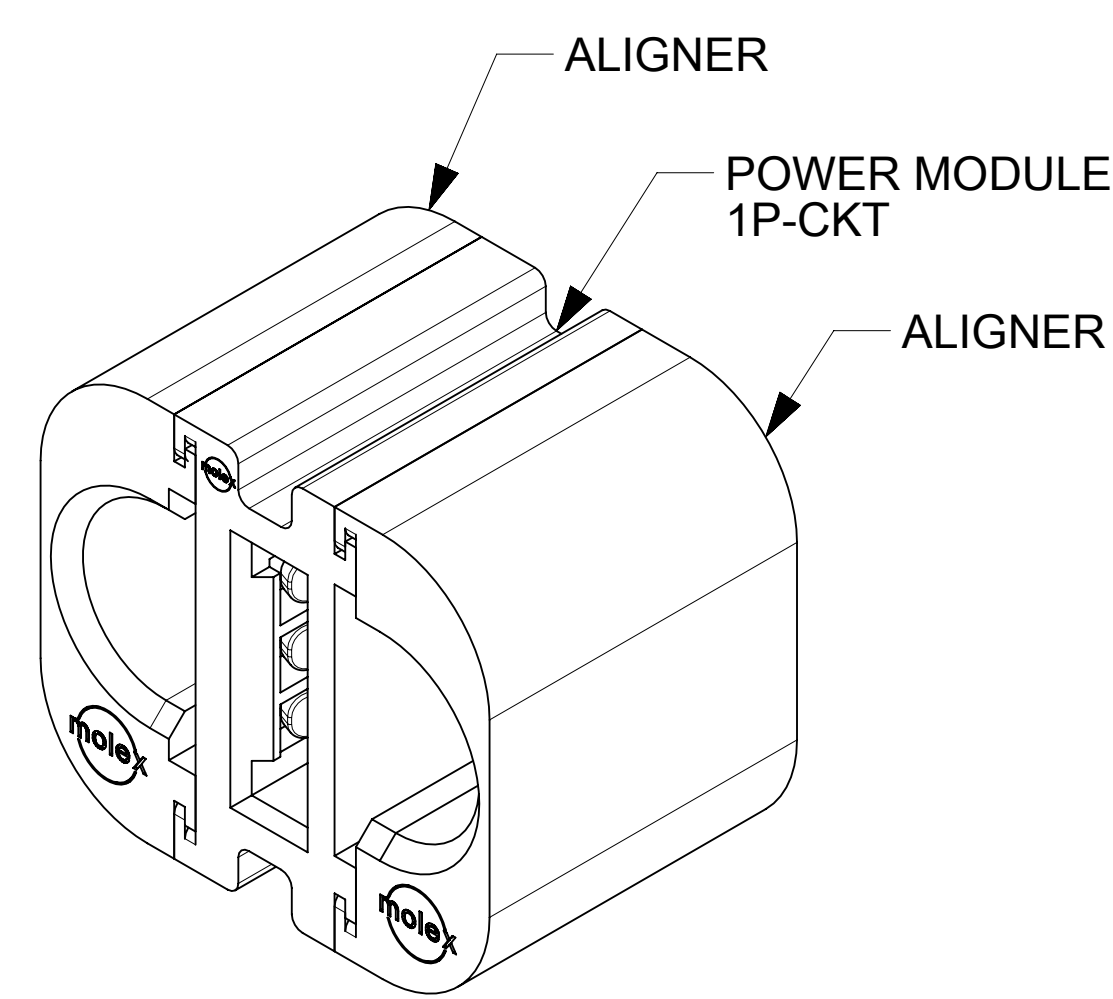
G-*P-G
VERT RECEPTACLE ASSY - TEN60 POWER FAMILY

PRODUCT CUSTOMER DRAWING

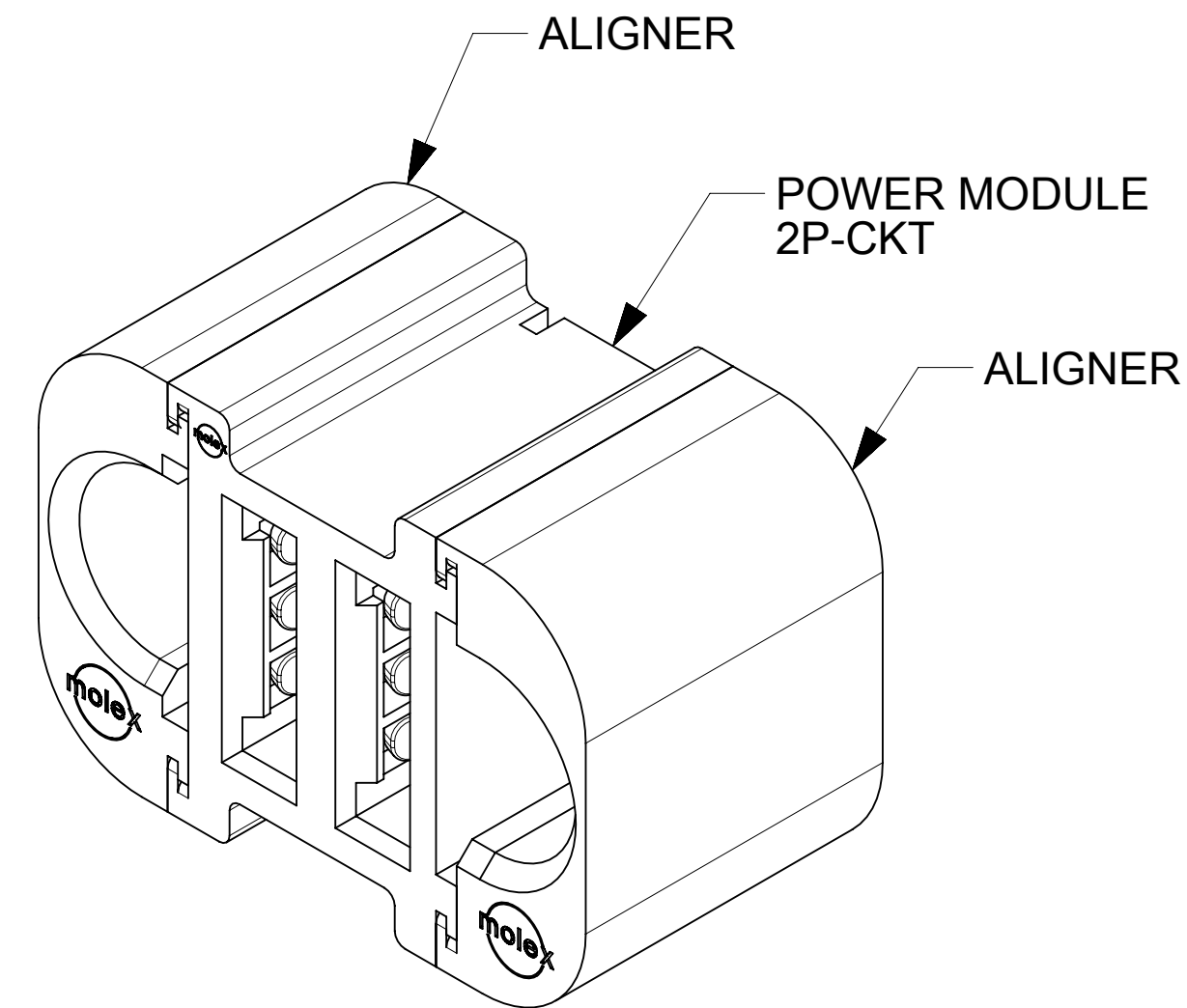
DOCUMENT NUMBER: 465629310
DOC TYPE: PSD
DOC PART: 000
REVISION: A1

REFER TO BELOW TABLE FOR DIMENSIONS.

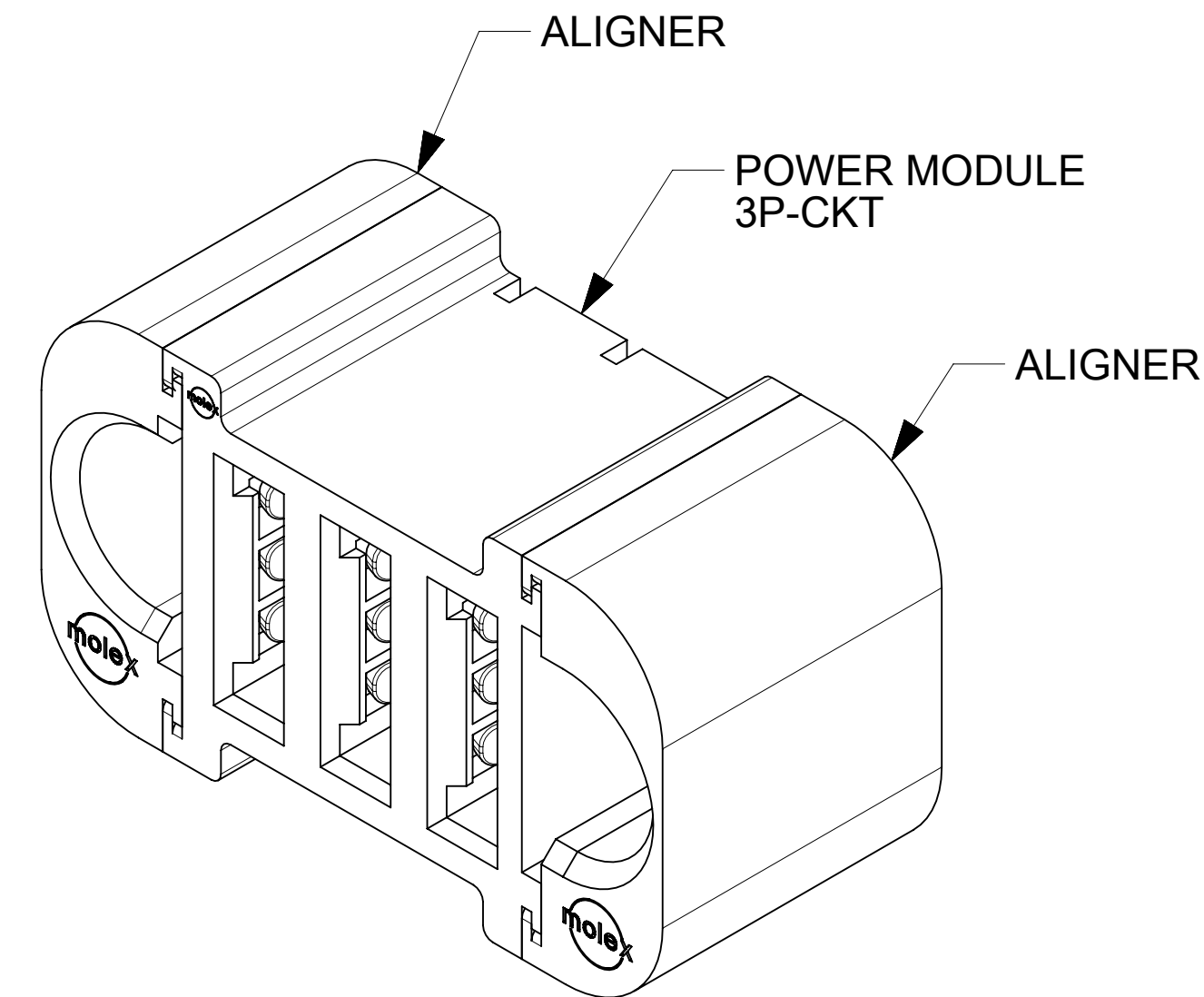
| FG P/N | CONFIGURATION | POWER CKT SIZE | DIM "A" (IN MM) | DIM "B" (IN MM) | HOLES COUNT "H1" | MATES WITH R/A PLUG ASSY P/N |
|-----------|---------------|----------------|-----------------|-----------------|------------------|------------------------------|
| 465629301 | G-1P-G | 1 | 21.00 | 22.00 | 08 | 464379301 |
| 465629302 | G-2P-G | 2 | 26.50 | 27.50 | 16 | 464379302 |
| 465629303 | G-3P-G | 3 | 32.00 | 33.00 | 24 | 464379303 |
| 465629304 | G-4P-G | 4 | 37.50 | 38.50 | 32 | 464379304 |
| 465629305 | G-5P-G | 5 | 43.00 | 44.00 | 40 | 464379305 |
| 465629306 | G-6P-G | 6 | 48.50 | 49.50 | 48 | 464379306 |
| 465629307 | G-7P-G | 7 | 54.00 | 55.00 | 56 | 464379307 |
| 465629308 | G-8P-G | 8 | 59.50 | 60.50 | 64 | 464379308 |
| 465629309 | G-9P-G | 9 | 65.00 | 66.00 | 72 | 464379309 |
| 465629310 | G-10P-G | 10 | 70.50 | 71.50 | 80 | 464379310 |



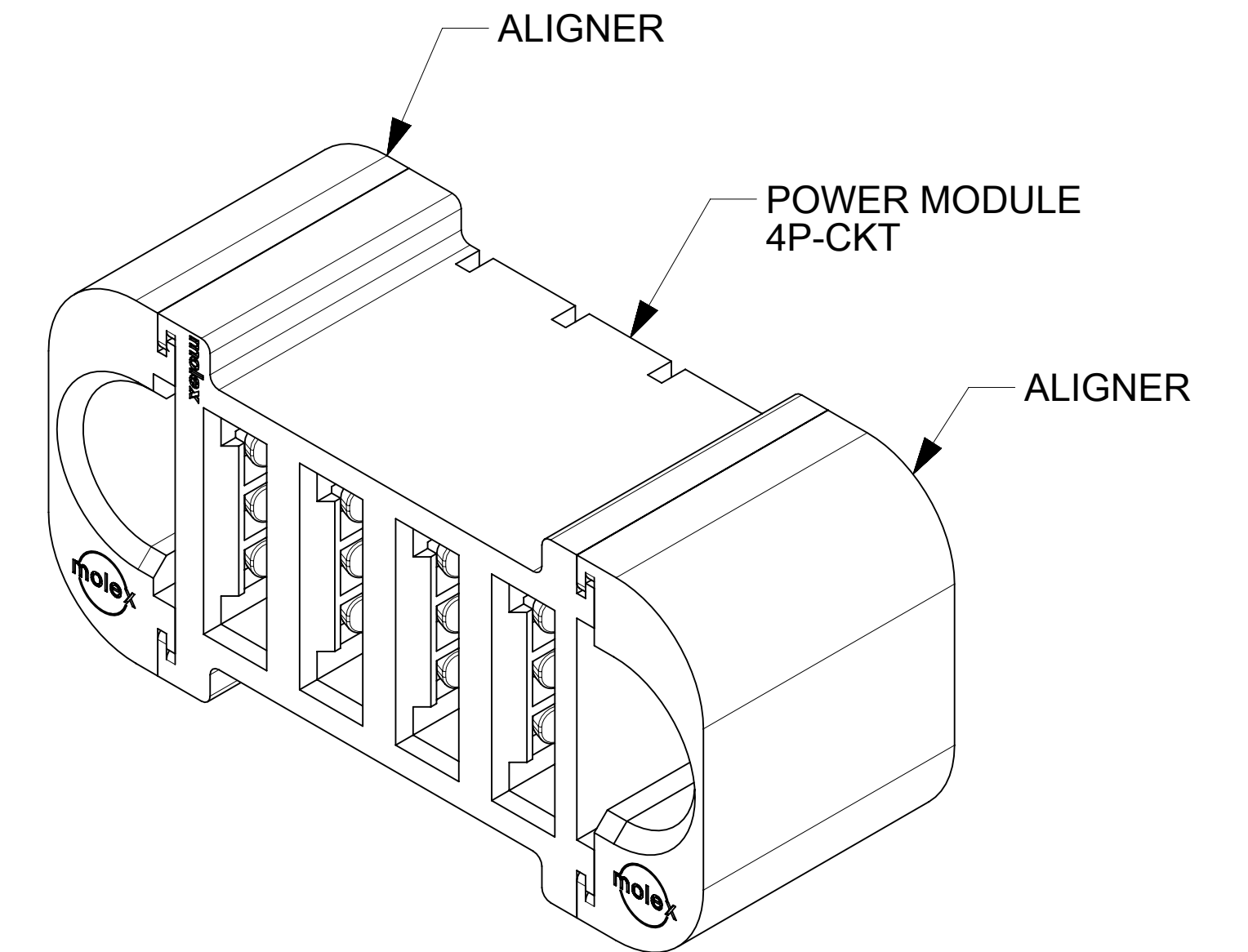
P/N : 46562-9301 (G-1P-G)



P/N : 46562-9302 (G-2P-G)

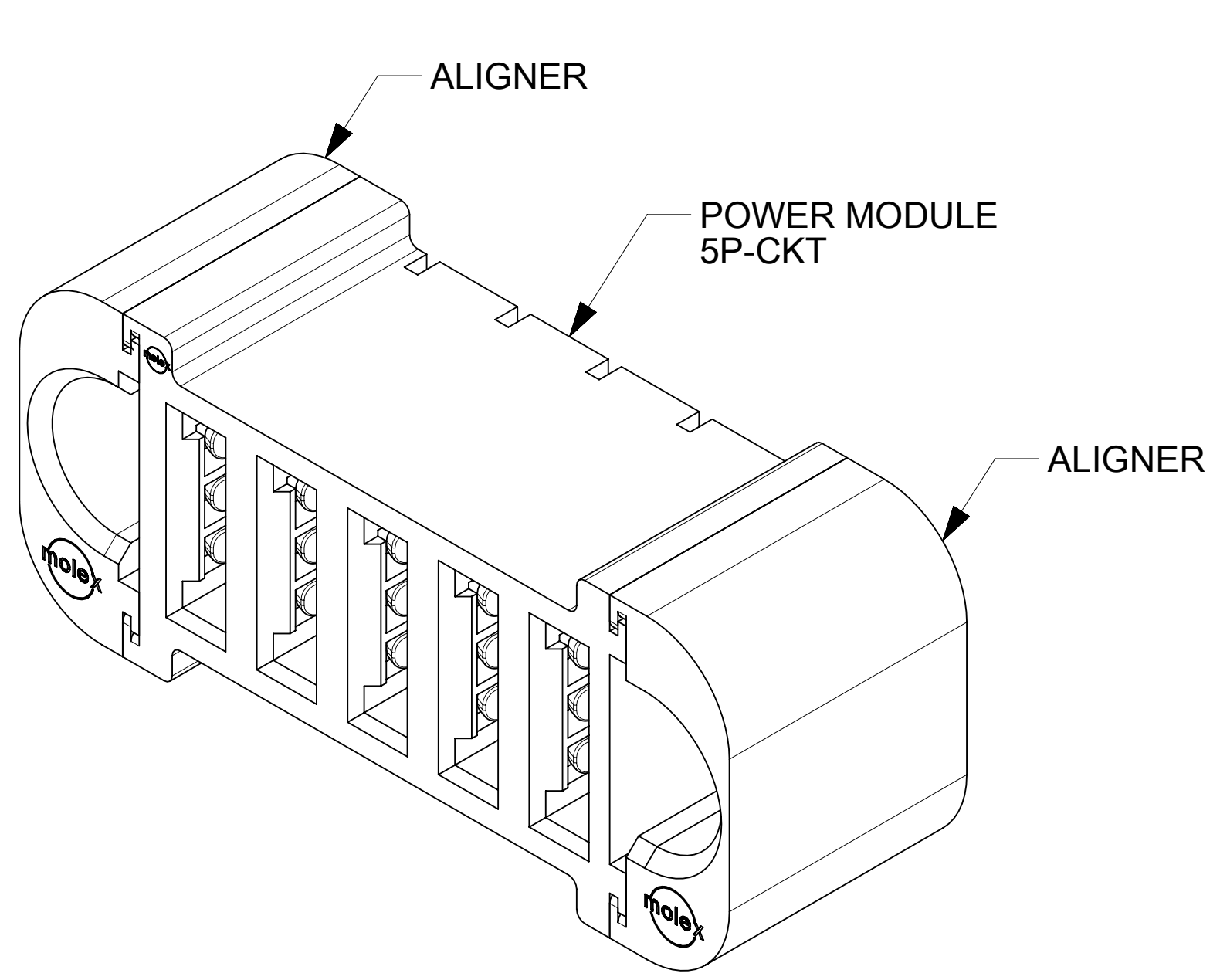


P/N : 46562-9303 (G-3P-G)

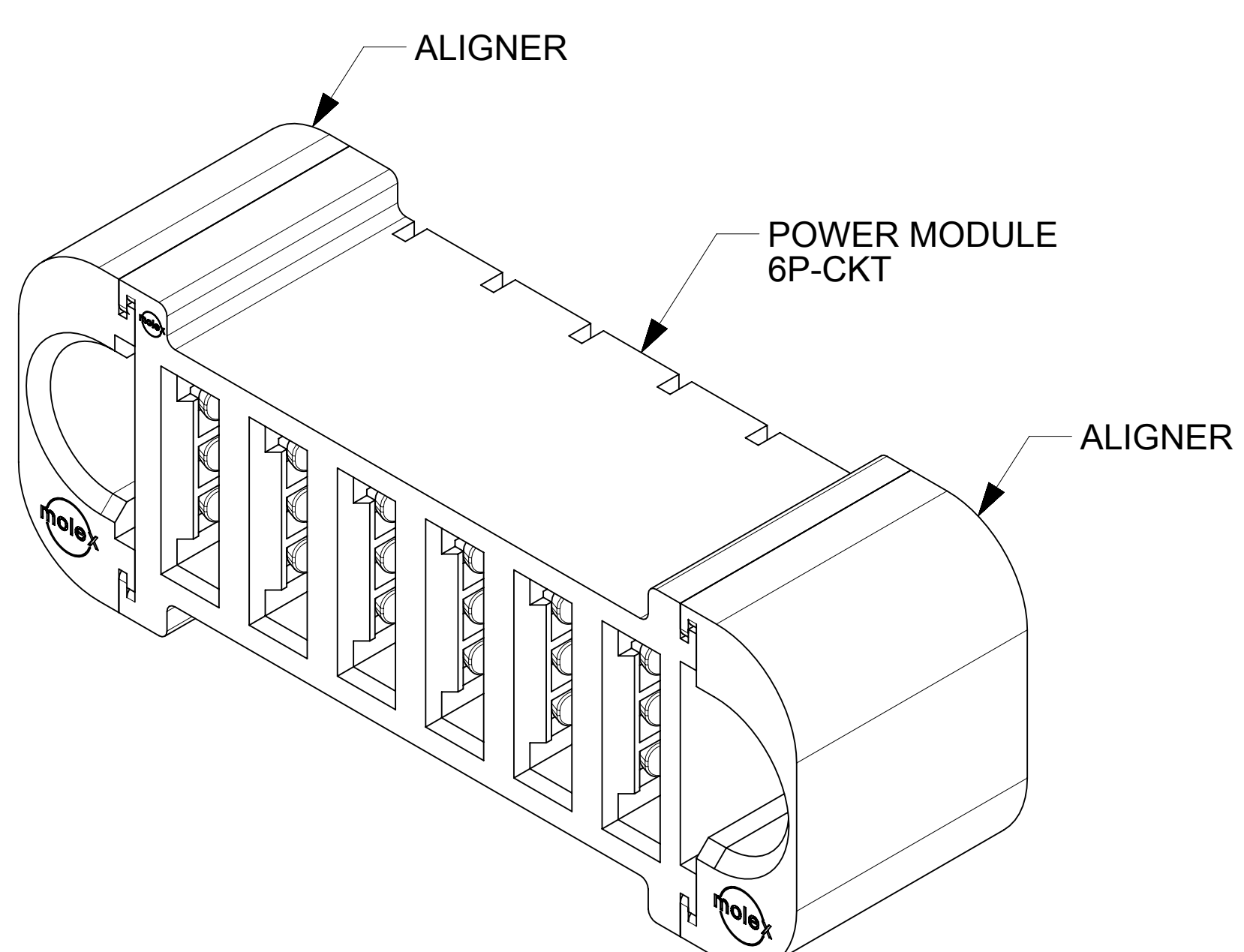


P/N : 46562-9304 (G-4P-G)

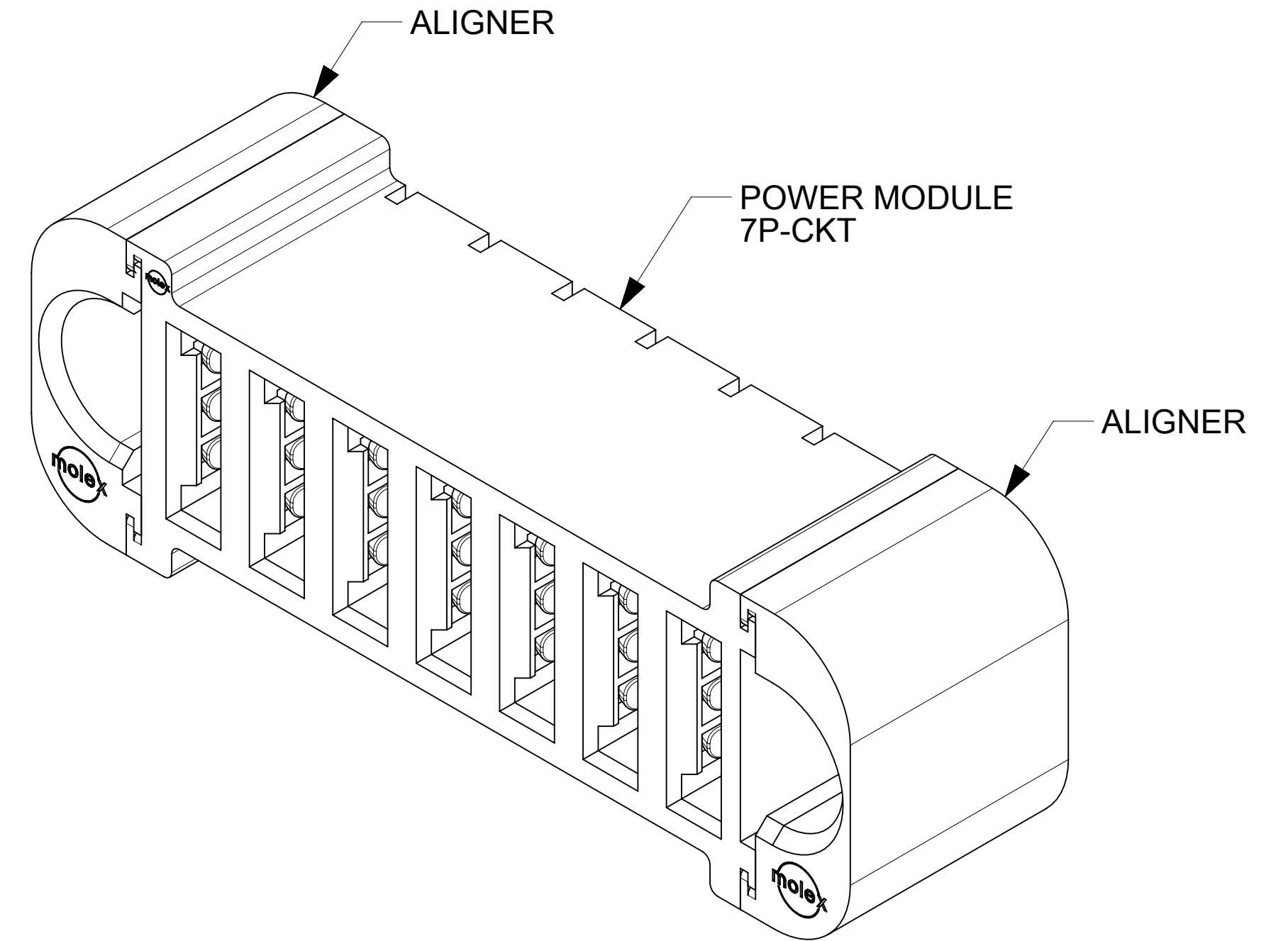
| | | | | | | | | | | | |
|---|--|-------|--|---|--|--|--|--------------------------|--|--|--|
| THIS DRAWING CONTAINS INFORMATION THAT IS PROPRIETARY TO MOLEX ELECTRONIC TECHNOLOGIES, LLC AND SHOULD NOT BE USED WITHOUT WRITTEN PERMISSION | | | | | | | | | | | |
| DIMENSION UNITS | | SCALE | | CURRENT REV DESC: ADDED ISOMETRIC VIEWS | | | | | | | |
| mm | | 4:1 | | | | | | | | | |
| GENERAL TOLERANCES (UNLESS SPECIFIED) | | | | EC NO: 689821 | | DRWN: HARSHG | | 2021/12/13 | | G-*P-G VERT RECEPTACLE ASSY - TEN60 POWER FAMILY | |
| ANGULAR TOL ± 0.5° | | | | DRWN: GJEEVANSURES | | 2021/12/22 | | | | | |
| 4 PLACES ± | | | | APPR: HTHYAGARAJ | | 2022/02/14 | | PRODUCT CUSTOMER DRAWING | | | |
| 3 PLACES ± | | | | INITIAL REVISION: | | DRWN: KSUTAR | | 2021/08/17 | | DOCUMENT NUMBER | |
| 2 PLACES ± 0.13 | | | | APPR: HTHYAGARAJ | | 2021/10/21 | | 465629310 | | DOC TYPE DOC PART REVISION | |
| 1 PLACE ± 0.25 | | | | DRAFT WHERE APPLICABLE | | THIRD ANGLE PROJECTION | | D-SIZE | | 46562 | |
| 0 PLACES ± | | | | MUST REMAIN WITHIN DIMENSIONS | | DRAWING | | SERIES | | MATERIAL NUMBER CUSTOMER SHEET NUMBER | |
| | | | | | | DRAFT WHERE APPLICABLE MUST REMAIN WITHIN DIMENSIONS | | D-SIZE | | 46562 | |
| DOCUMENT STATUS | | | | P1 | | RELEASE DATE | | 2022/02/14 09:02:10 | | SEE TABLE | |
| | | | | | | | | GENERAL MARKET | | 2 OF 3 | |



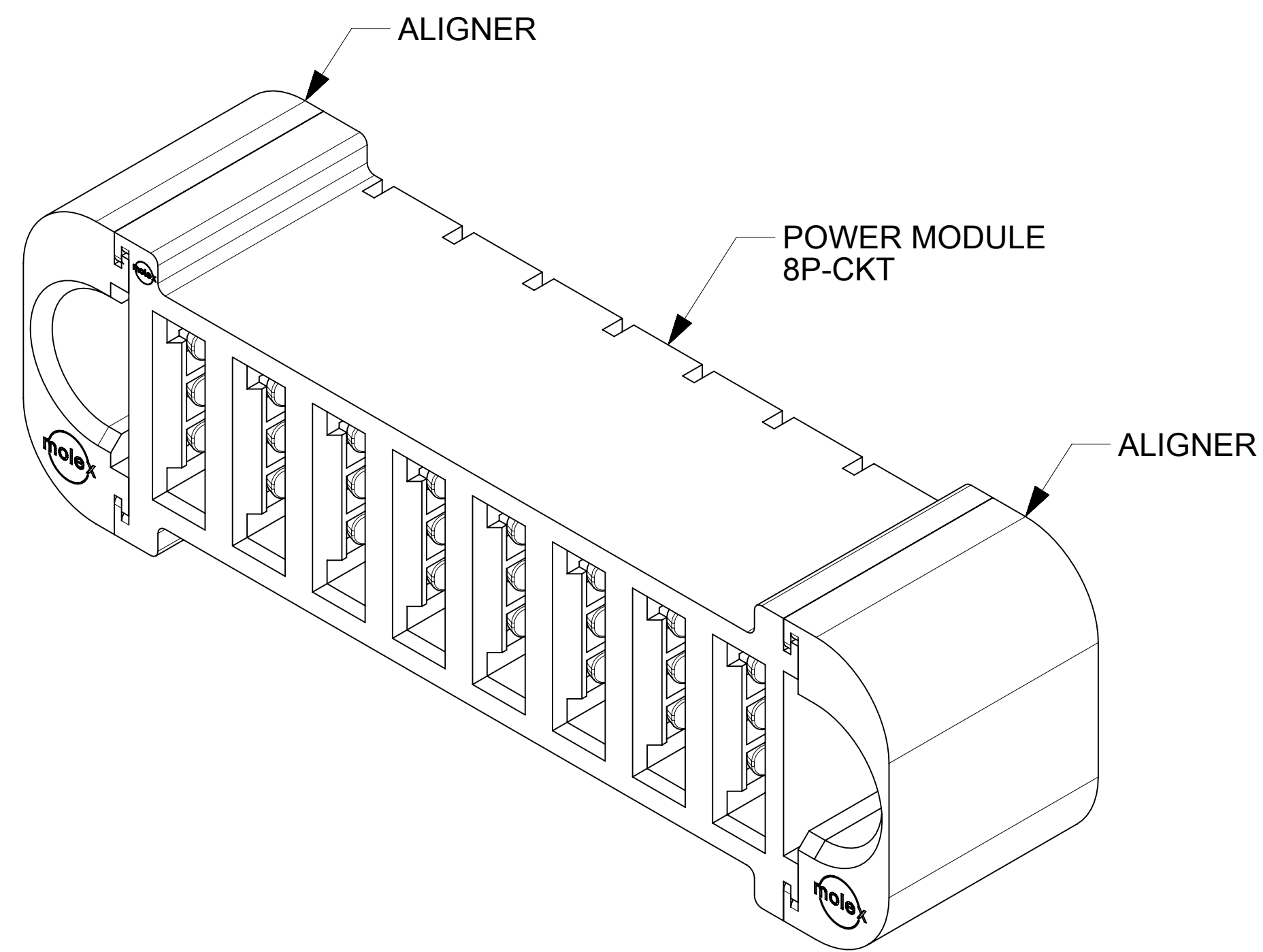
P/N : 46562-9305 (G-5P-G)



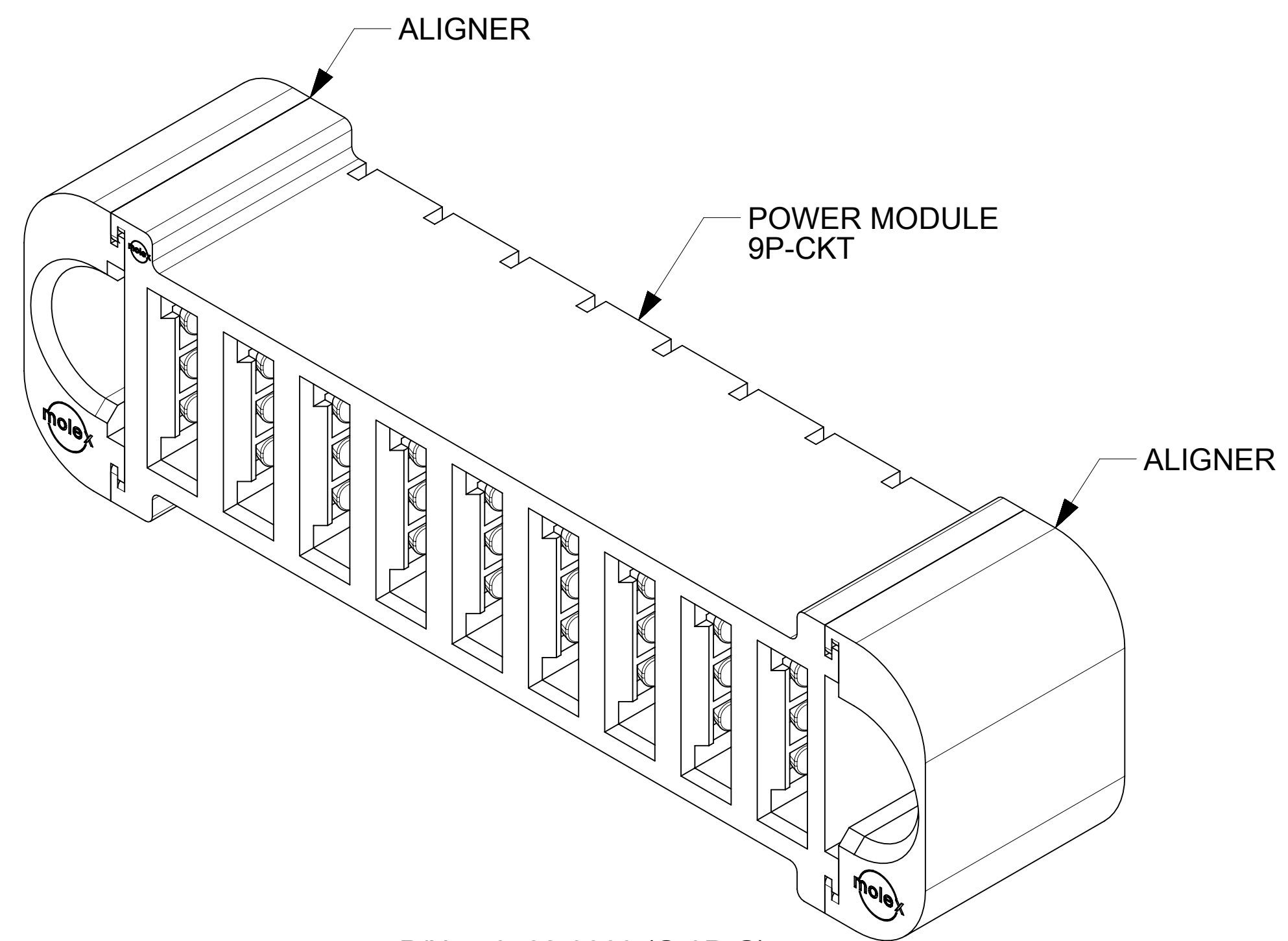
P/N : 46562-9306 (G-6P-G)



P/N : 46562-9307 (G-7P-G)



P/N : 46562-9308 (G-8P-G)



P/N : 46562-9309 (G-9P-G)

THIS DRAWING CONTAINS INFORMATION THAT IS PROPRIETARY TO MOLEX ELECTRONIC TECHNOLOGIES, LLC AND SHOULD NOT BE USED WITHOUT WRITTEN PERMISSION

| | | | | | | | |
|--|--------|---|------------|---|--|----------------|--|
| DIMENSION UNITS | SCALE | CURRENT REV DESC: ADDED ISOMETRIC VIEWS | | | | | |
| mm | 4:1 | | | | | | |
| GENERAL TOLERANCES (UNLESS SPECIFIED) | | | | G-*P-G VERT RECEPTACLE ASSY - TEN60 POWER FAMILY | | | |
| ANGULAR TOL ± 0.5° | | | | PRODUCT CUSTOMER DRAWING | | | |
| 4 PLACES | ± | EC NO: 689821 | | DOCUMENT NUMBER | | | |
| 3 PLACES | ± | DRWN: HARSHG | 2021/12/13 | DOC TYPE | | | |
| 2 PLACES | ± 0.13 | CHK'D: GJEEVANSURES | 2021/12/22 | DOC PART | | | |
| 1 PLACE | ± 0.25 | APPR: HTHYAGARAJ | 2022/02/14 | REVISION | | | |
| 0 PLACES | ± | INITIAL REVISION: | | 465629310 | | | |
| DRAFT WHERE APPLICABLE MUST REMAIN WITHIN DIMENSIONS | | DRWN: KSUTAR | 2021/08/17 | PSD | | 000 | |
| THIRD ANGLE PROJECTION | | APPR: HTHYAGARAJ | 2021/10/21 | A1 | | | |
| D-DRAWING | | SERIES | | MATERIAL NUMBER | | CUSTOMER | |
| D-DRAWING | | 46562 | | SEE TABLE | | GENERAL MARKET | |
| | | | | | | SHEET NUMBER | |
| | | | | | | 3 OF 3 | |