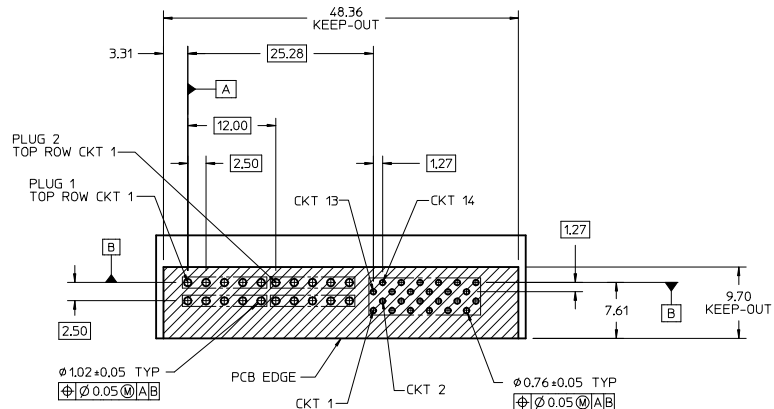
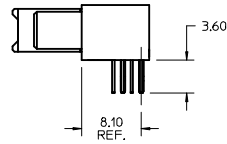
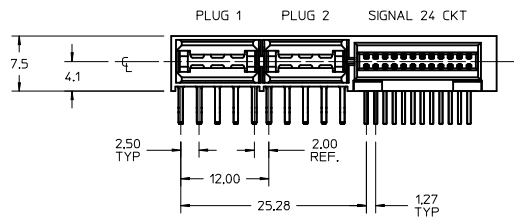


RECOMMENDED
CARD EDGE LAYOUT
THICKNESS: 1.57/.062



RECOMMENDED PCB LAYOUT
COMPONENT SIDE
PCB THICKNESS: 2.36/.093

NOTES:

1. MATERIAL HOUSING: GLASS FILLED LCP (LIQUID CRYSTAL POLYMER), 94V-0, COLOR-BLACK, CONTACT: COPPER ALLOY.
2. FINISH: SELECT GOLD - .76 MICROMETERS/30 MICROINCHES MINIMUM CONTACT. SELECT TIN - 3.81 MICROMETERS/150 MICROINCHES MINIMUM TAIL. BOTH OVER NICKEL - 1.27 MICROMETERS/50 MICROINCHES MINIMUM.
3. POWER TERMINALS LUBRICATED IN CONTACT AREA.
4. PRODUCT SPECIFICATION: PS-45984-001.
5. PACKAGING: TRAY PER PK-45984-001.
6. PARTS ARE ROHS COMPLIANT.
7. MATES TO 1.57/.062 CARD EDGE OR MOLEX P/N 45985-4***

UPDATE IMAGE EEC NO: LCP2013-3155 DRAWN BY: DRYANBANDURA CHKD BY: CHYKOBANDURA APPR: BPI/SZCZOR 2013/02/01 2017/01/23 B2	QUALITY SYMBOLS	GENERAL TOLERANCES (UNLESS SPECIFIED)	DIMENSION STYLE	SCALE	DESIGN UNITS	THIRD ANGLE PROJECTION																										
	$\nabla=0$ $\nabla=0$ $\nabla=0$	<table border="1"> <thead> <tr> <th></th> <th>mm</th> <th>INCH</th> </tr> </thead> <tbody> <tr> <td>4 PLACES</td> <td>±---</td> <td>±---</td> </tr> <tr> <td>3 PLACES</td> <td>±---</td> <td>±---</td> </tr> <tr> <td>2 PLACES</td> <td>±0.25</td> <td>±---</td> </tr> <tr> <td>1 PLACE</td> <td>±0.38</td> <td>±---</td> </tr> <tr> <td colspan="3">ANGULAR ±1/2°</td> </tr> </tbody> </table>		mm	INCH	4 PLACES	±---	±---	3 PLACES	±---	±---	2 PLACES	±0.25	±---	1 PLACE	±0.38	±---	ANGULAR ±1/2°			<table border="1"> <thead> <tr> <th>DATE</th> <th>DATE</th> </tr> </thead> <tbody> <tr> <td>BANDURA 10/13/2009</td> <td></td> </tr> <tr> <td>BANDURA 10/15/2009</td> <td></td> </tr> <tr> <td>PATEL 2010/06/03</td> <td></td> </tr> </tbody> </table>	DATE	DATE	BANDURA 10/13/2009		BANDURA 10/15/2009		PATEL 2010/06/03		3:1	METRIC	
		mm	INCH																													
	4 PLACES	±---	±---																													
3 PLACES	±---	±---																														
2 PLACES	±0.25	±---																														
1 PLACE	±0.38	±---																														
ANGULAR ±1/2°																																
DATE	DATE																															
BANDURA 10/13/2009																																
BANDURA 10/15/2009																																
PATEL 2010/06/03																																
<table border="1"> <thead> <tr> <th>DATE</th> <th>DATE</th> </tr> </thead> <tbody> <tr> <td>BANDURA 10/13/2009</td> <td></td> </tr> <tr> <td>BANDURA 10/15/2009</td> <td></td> </tr> <tr> <td>PATEL 2010/06/03</td> <td></td> </tr> </tbody> </table>	DATE	DATE	BANDURA 10/13/2009		BANDURA 10/15/2009		PATEL 2010/06/03		TITLE RECEPTACLE ASSEMBLY LPH REVERSE ORIENTATION 4-POWER 24-SIGNAL		MATERIAL NO. 45984-0008		DOCUMENT NO. SD-45984-008	SHEET NO. 1 OF 1																		
DATE	DATE																															
BANDURA 10/13/2009																																
BANDURA 10/15/2009																																
PATEL 2010/06/03																																
DRAFT WHERE APPLICABLE MUST REMAIN WITHIN DIMENSIONS		THIS DRAWING CONTAINS INFORMATION THAT IS PROPRIETARY TO MOLEX INCORPORATED AND SHOULD NOT BE USED WITHOUT WRITTEN PERMISSION																														