



Product Change Notice (PCN)

Date: 9/2/2020

PCN Number: PCN-0460116R-01

To Our Customers:

We appreciate your use of CUI Devices products. Our commitment in maintaining and improving processes is demonstrated by plans to enhance our product quality, reliability and manufacturability. The purpose of this notice is to inform you of a product change.

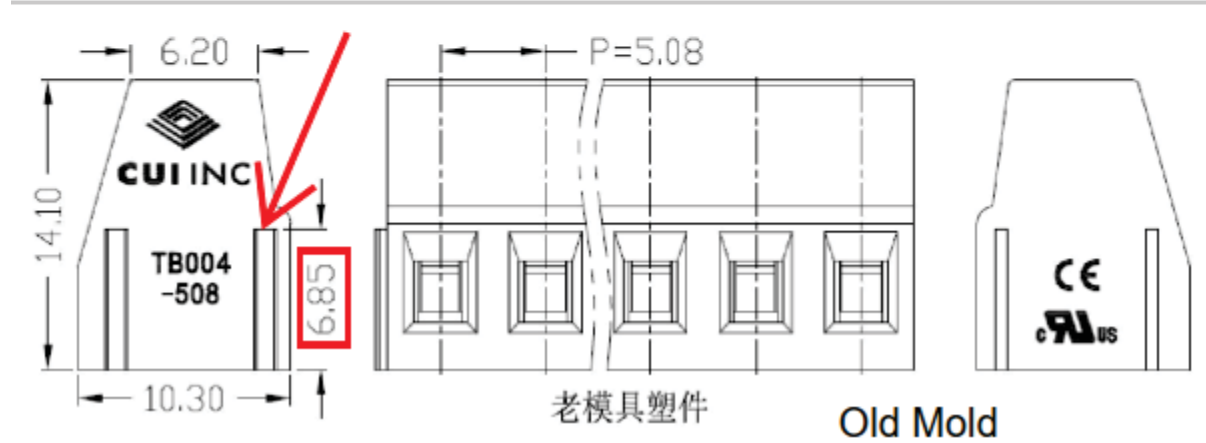
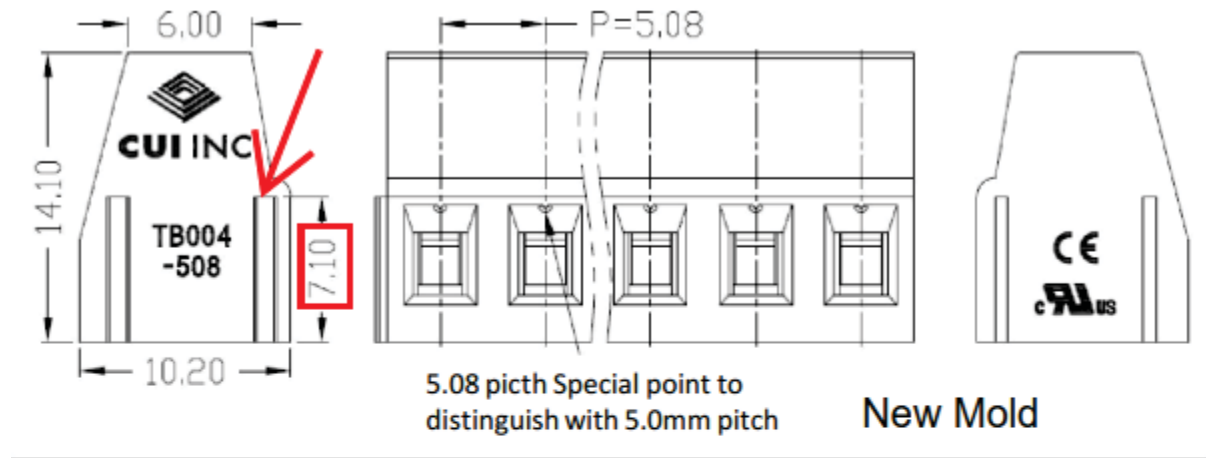
Product(s) Affected: TB004-508 series

TB004-508-02BE
TB004-508-03BE
TB004-508-04BE
TB004-508-05BE
TB004-508-06BE
TB004-508-07BE
TB004-508-08BE
TB004-508-09BE
TB004-508-10BE
TB004-508-11BE
TB004-508-12BE
TB004-508-13BE
TB004-508-14BE
TB004-508-15BE
TB004-508-16BE
TB004-508-17BE
TB004-508-18BE
TB004-508-19BE
TB004-508-20BE
TB004-508-21BE
TB004-508-22BE
TB004-508-23BE
TB004-508-24BE
TB004-508-08GR
TB004-508-08GY
TB004-508-08YL

CUI DEVICES

Reason(s) for Change: To promote the efficiency of automated assembly machine.

Description of Change: Adjusting slot height from 6.85mm to 7.1mm.



Affected Date Code: September 30th, 2020

Product Availability: Currently available

Additional Information:

PCN Approval:

Operations/Quality

CUI DEVICES

Product Marketing

