

SUMMARY

Wires

Low voltage 4



Image is for illustrative purpose only

Series	1M
Termination type	Female crimp
IP rating	68
AWG wire size	0.00 - 0.00
Cable Ø	4.85 - 9.70 mm
Status	active
Matching parts	FGN.1M.304.XRCT2

Download

[Request a quote](#)

[Catalog](#)

TECHNICAL DETAILS

Mechanics

Shell Style/Model	PE*: Fixed receptacle, nut fixing and mold stop
Keying	3 keys (beta=165, gamma=30, plug: male contacts, receptacle: female contacts)
Housing Material	Aluminium (nickel plated [SAE AMS QQ N 290], anthracite color) shell and nut, other pieces bronze/brass
Weight	8.25 g

Performance

Configuration	1M.304_2 : 2 (0.7 mm) + 2 (1.3 mm) Low Voltage
Insulator	R: PEEK (mixed multipole)
Rated Current	

Specifications

Contact Type: Crimp

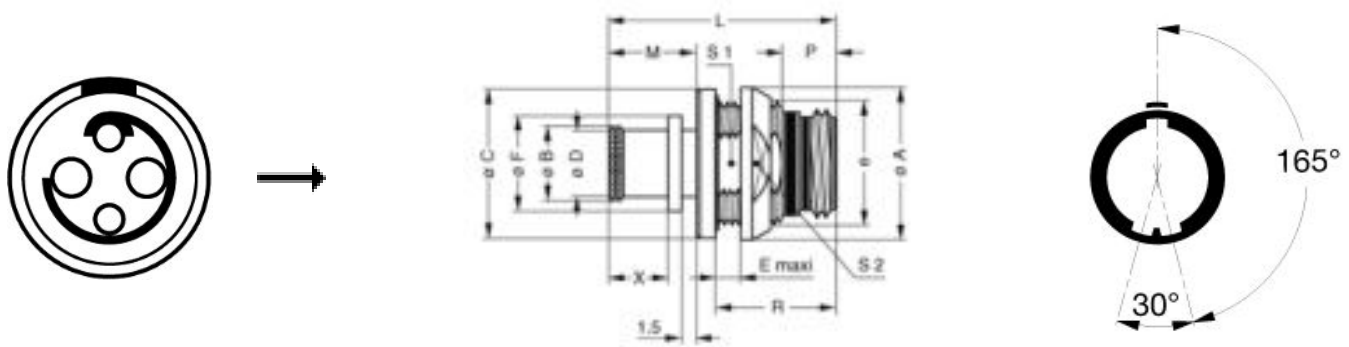
Others

Endurance (Shell): 3000 mating cycles
Temp (min / max): -20°C / +200°C
Humidity (max): 21 days at 95%
Gunfire vibration: 25 Hz - 2000 Hz, 3 axis (Apache helicopter)

LEMO products and services are provided "as is". LEMO makes no warranties or representations with regard to LEMO product & services or use of them, express, implied or statutory, including for accuracy, completeness, or security. The user is fully responsible for his products and applications using LEMO components.

Vibration-Sine: 30 g, 3 axes, 12 hr [10 Hz - 2000 Hz]
 Vibration-Random: 37.8 g rms - 3 axes, 4 hr amb [50 Hz - 2000 Hz]
 Shock Resistance: 300 g [3 ms]
 Lighting strike EIA 364-75: 10K amps - 6 times
 Thermal shock: 5 cycles: -65 °C to +150 °C
 EMI Shielding EIA 364-66A: >= 80 dB (1 GHz), >=70 dB (3 GHz), >= 58 dB (6 GHz), >= 40 dB (10 GHz)
 Salt Spray Corrosion: max. 48 hr

DRAWINGS



Dimensions

	A	B	C	D	E	Lr	Ls	M	P	R	S1	S2	e
mm.	18	10.5	17.8	9.7	5	25.6	25.6	9.7	5.3	13.8	12.5	16	M14x1.00
in.	0,71	0,41	0,70	0,38	0,20	1,01	1,01	0,38	0,21	0,54	0,49	0,63	

RECOMMENDED BY LEMO

Tools

- Crimp settings: AWG/Selector = 22-24-26 16-18-20/6-5-5 8-7-7
 Positionner: [DCE.91.130.5MVM](#)
 Positionner 2: [DCE.91.070.3MVM](#)
 Extractor: [DCF.93.131.4LT](#)
 Extractor 2: [DCF.93.070.4LT](#)

LEMO products and services are provided "as is". LEMO makes no warranties or representations with regard to LEMO product & services or use of them, express, implied or statutory, including for accuracy, completeness, or security. The user is fully responsible for his products and applications using LEMO components.

Replacement contact: EGN.0M.655.ZZM / EGN.0M.665.ZZM

Spanner wrench: [DCM.65.000.4PA](#)

Cables

LEMO products and services are provided "as is". LEMO makes no warranties or representations with regard to LEMO product & services or use of them, express, implied or statutory, including for accuracy, completeness, or security. The user is fully responsible for his products and applications using LEMO components.