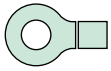
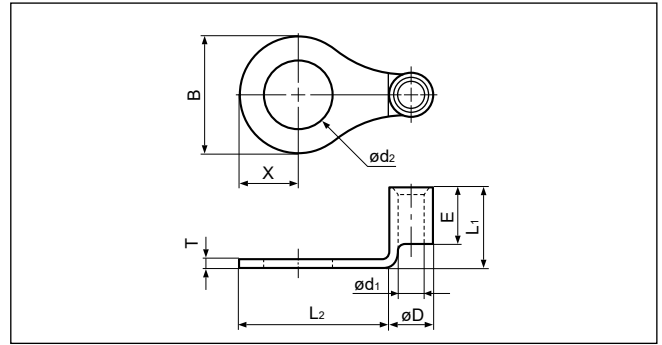
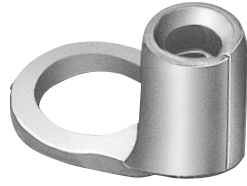
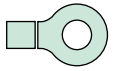


Solderless terminals



**RING TONGUE (R type) Non-insulated, bent at 90°**

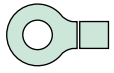


Certificate No.: E42024 LR20812

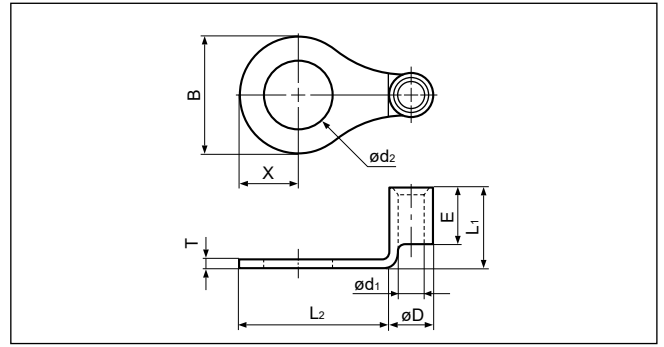
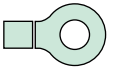
| Applicable Wire<br>AWG#(mm <sup>2</sup> ) | Stud size |         | Part No.    | Standard    | Dimensions mm (in.) |             |                |                |             |               |               |                  |               | Tool No. |      |      |       | Qty/box |
|---|-----------|---------|-------------|-------------|---------------------|-------------|----------------|----------------|-------------|---------------|---------------|------------------|---------------|----------|------|------|-------|---------|
|   | American  | Metric  |             |             | ø d <sub>2</sub>    | B           | L <sub>1</sub> | L <sub>2</sub> | X           | E             | ø D           | ø d <sub>1</sub> | T             | YHT-2210 | YA-1 | YA-2 | YA-4  |         |
| 22 to 16<br>(0.25 to 1.65)                | 1-2       | 2       | L1.25-2     |             | 2.2 (.087)          | 5.5 (.217)  | 6.5 (.256)     | 5.8 (.228)     | 2.8 (.110)  | 4.8<br>(.189) | 3.4<br>(.134) | 1.7<br>(.067)    | 0.8<br>(.031) | o        | o    | o    | 1,000 |         |
|   | 3-4       | 3       | L1.25-3     |             | 3.2 (.126)          | 5.5 (.217)  | 6.5 (.256)     | 5.8 (.228)     | 2.8 (.110)  |               |               |                  |               |          |      |      |       |         |
|   | 3-4       | 3       | L1.25-M3.3  |             | 3.2 (.126)          | 6.6 (.260)  | 6.5 (.256)     | 8.5 (.335)     | 3.3 (.130)  |               |               |                  |               |          |      |      |       |         |
|   | 5-6       | 3.5     | L1.25-3.7   |             | 3.7 (.146)          | 5.5 (.217)  | 6.5 (.256)     | 5.8 (.228)     | 2.8 (.110)  |               |               |                  |               |          |      |      |       |         |
|   | 5-6       | 3.5     | L1.25-M3    |             | 3.7 (.146)          | 6.6 (.260)  | 6.5 (.256)     | 8.5 (.335)     | 3.3 (.130)  |               |               |                  |               |          |      |      |       |         |
|   | 8         | 4       | L1.25-M4    |             | 4.3 (.169)          | 6.6 (.260)  | 6.5 (.256)     | 8.5 (.335)     | 3.3 (.130)  |               |               |                  |               |          |      |      |       |         |
|   | 8         | 4       | L1.25-4     |             | 4.3 (.169)          | 8.0 (.315)  | 6.5 (.256)     | 10.0 (.394)    | 4.0 (.157)  |               |               |                  |               |          |      |      |       |         |
|   | 10        | 5       | L1.25-5     |             | 5.3 (.209)          | 8.0 (.315)  | 6.5 (.256)     | 10.0 (.394)    | 4.0 (.157)  |               |               |                  |               |          |      |      |       |         |
| 16 to 14<br>(1.04 to 2.63)                | 1/4       | 6       | L1.25-6     |             | 6.4 (.252)          | 11.6 (.457) | 6.5 (.256)     | 16.0 (.630)    | 5.8 (.228)  | 4.8<br>(.189) | 4.1<br>(.161) | 2.3<br>(.091)    | 0.8<br>(.031) | o        | o    | o    | 1,000 |         |
|   | 3-4       | 3       | L2-3        |             | 3.2 (.126)          | 8.5 (.335)  | 6.5 (.256)     | 11.0 (.433)    | 4.3 (.169)  |               |               |                  |               |          |      |      |       |         |
|   | 5-6       | 3.5     | L2-M3       |             | 3.7 (.146)          | 6.6 (.260)  | 6.5 (.256)     | 8.5 (.335)     | 3.3 (.130)  |               |               |                  |               |          |      |      |       |         |
|   | 5-6       | 3.5     | L2-P3.5     |             | 3.7 (.146)          | 7.0 (.276)  | 6.5 (.256)     | 10.2 (.402)    | 3.5 (.138)  |               |               |                  |               |          |      |      |       |         |
|   | 8         | 4       | L2-M4       |             | 4.3 (.169)          | 6.6 (.260)  | 6.5 (.256)     | 8.5 (.335)     | 3.3 (.130)  |               |               |                  |               |          |      |      |       |         |
|   | 8         | 4       | L2-P4       |             | 4.3 (.169)          | 7.0 (.276)  | 6.5 (.256)     | 10.2 (.402)    | 3.5 (.138)  |               |               |                  |               |          |      |      |       |         |
|   | 8         | 4       | L2-4        |             | 4.3 (.169)          | 8.5 (.335)  | 6.5 (.256)     | 11.0 (.433)    | 4.3 (.169)  |               |               |                  |               |          |      |      |       |         |
|   | 10        | 5       | L2-5        |             | 5.3 (.209)          | 9.5 (.374)  | 6.5 (.256)     | 11.0 (.433)    | 4.8 (.189)  |               |               |                  |               |          |      |      |       |         |
| 12 to 10<br>(2.63 to 6.64)                | 5/16      | 8       | L2-8        |             | 8.4 (.331)          | 12.0 (.472) | 6.5 (.256)     | 16.0 (.630)    | 6.0 (.236)  | 6.8<br>(.268) | 5.6<br>(.220) | 3.4<br>(.134)    | 1.0<br>(.039) | o        | o    | o    | 500   |         |
|   | 3-4       | 3       | L5.5-3      |             | 3.2 (.126)          | 9.5 (.374)  | 9.5 (.374)     | 11.0 (.433)    | 4.8 (.189)  |               |               |                  |               |          |      |      |       |         |
|   | 8         | 4       | L5.5-4      |             | 4.3 (.169)          | 9.5 (.374)  | 9.5 (.374)     | 11.0 (.433)    | 4.8 (.189)  |               |               |                  |               |          |      |      |       |         |
|   | 10        | 5       | L5.5-5      |             | 5.3 (.209)          | 9.5 (.374)  | 9.5 (.374)     | 11.0 (.433)    | 4.8 (.189)  |               |               |                  |               |          |      |      |       |         |
|   | 1/4       | 6       | L5.5-6      |             | 6.4 (.252)          | 12.0 (.472) | 9.8 (.386)     | 16.8 (.661)    | 6.0 (.236)  |               |               |                  |               |          |      |      |       |         |
|   | 5/16      | 8       | L5.5-8      |             | 8.4 (.331)          | 15.0 (.591) | 9.5 (.374)     | 19.0 (.748)    | 7.5 (.295)  |               |               |                  |               |          |      |      |       |         |
|   | 3/8       | 10      | L5.5-10     |             | 10.5 (.413)         | 15.0 (.591) | 9.5 (.374)     | 19.0 (.748)    | 7.5 (.295)  |               |               |                  |               |          |      |      |       |         |
|   | 1/2       | 14      | L5.5-14     |             | 15.0 (.591)         | 32.0(1.260) | 9.5 (.374)     | 39.5(1.555)    | 16.0 (.630) |               |               |                  |               |          |      |      |       |         |
|   | 5/8       | 16      | L5.5-16     |             | 17.0 (.669)         | 32.0(1.260) | 9.5 (.374)     | 39.5(1.555)    | 16.0 (.630) |               |               |                  |               |          |      |      |       |         |
|   | 11/16     | 18      | L5.5-18     |             | 19.0 (.748)         | 32.0(1.260) | 9.5 (.374)     | 39.5(1.555)    | 16.0 (.630) |               |               |                  |               |          |      |      |       |         |
| 3/4                                       | 20        | L5.5-20 | 21.0 (.827) | 32.0(1.260) | 9.5 (.374)          | 39.5(1.555) | 16.0 (.630)    |                |             |               |               |                  |               |          |      |      |       |         |

Note:1) The part numbers indicated in the above table are for products with a brazed seam.  
 When ordering products with a butted seam, add the prefix "WS" to the part number (ex. L1.25-M3 -> **WSL1.25-M3**).  
 2) Delivery lead times may vary depending on the product. Contact JST for details.

Solderless terminals



**RING TONGUE (R type)** Non-insulated, bent at 90°



| Applicable Wire<br>AWG#(mm <sup>2</sup> ) | Stud size |        | Part No.    | Standard    | Dimensions mm (in.) |             |                |                |             |                |                |                 |               | Tool No. |         |          |           | Qty/box |
|---|-----------|--------|-------------|-------------|---------------------|-------------|----------------|----------------|-------------|----------------|----------------|-----------------|---------------|----------|---------|----------|-----------|---------|
|   | American  | Metric |             |             | ød <sub>2</sub>     | B           | L <sub>1</sub> | L <sub>2</sub> | X           | E              | øD             | ød <sub>1</sub> | T             | YA-5     | YPT-60N | BCT-860L | BCT-8150L |         |
|   |           |        |             |             |                     |             |                |                |             |                |                |                 |               | o        | o       | o        | o         |         |
| 8<br>(6.64 to 10.52)                      | 8         | 4      | L8-4        | UL<br>SP    | 4.3 (.169)          | 12.0 (.472) | 10.8 (.425)    | 14.0 (.551)    | 6.0 (.236)  | 8.5<br>(.335)  | 7.1<br>(.280)  | 4.5<br>(.177)   | 1.2<br>(.047) | o        |         |          |           | 500     |
|   | 10        | 5      | L8-5        |             | 5.3 (.209)          | 12.0 (.472) | 10.8 (.425)    | 14.0 (.551)    | 6.0 (.236)  |                |                |                 |               |          |         |          |           |         |
|   | 1/4       | 6      | L8-6        |             | 6.4 (.252)          | 12.0 (.472) | 10.8 (.425)    | 14.0 (.551)    | 6.0 (.236)  |                |                |                 |               |          |         |          |           |         |
|   | 1/4       | 6      | L8-L6       |             | 6.4 (.252)          | 15.0 (.591) | 12.0 (.472)    | 19.0 (.748)    | 7.5 (.295)  |                |                |                 |               |          |         |          |           |         |
|   | 5/16      | 8      | L8-8        |             | 8.4 (.331)          | 15.0 (.591) | 12.0 (.472)    | 19.0 (.748)    | 7.5 (.295)  |                |                |                 |               |          |         |          |           |         |
|   | 1/2       | 14     | L8-14       |             | 15.0 (.591)         | 31.6(1.244) | 12.0 (.472)    | 39.0(1.535)    | 15.8 (.622) |                |                |                 |               | 200      |         |          |           |         |
|   | 5/8       | 16     | L8-16       |             | 17.0 (.669)         | 31.6(1.244) | 12.0 (.472)    | 39.0(1.535)    | 15.8 (.622) |                |                |                 |               |          |         |          |           |         |
|   | 11/16     | 18     | L8-18       |             | 19.0 (.748)         | 31.6(1.244) | 12.0 (.472)    | 39.0(1.535)    | 15.8 (.622) |                |                |                 |               |          |         |          |           |         |
| 3/4                                       | 20        | L8-20  | 21.0 (.827) | 31.6(1.244) | 12.0 (.472)         | 39.0(1.535) | 15.8 (.622)    |                |             |                |                |                 |               |          |         |          |           |         |
| 6<br>(10.52 to 16.78)                     | 10        | 5      | L14-5       | UL<br>SP    | 5.3 (.209)          | 12.0 (.472) | 14.5 (.571)    | 16.5 (.650)    | 6.0 (.236)  | 10.5<br>(.413) | 9.0<br>(.354)  | 5.8<br>(.228)   | 1.5<br>(.059) | o        | o       | o        |           | 200     |
|   | 1/4       | 6      | L14-6       |             | 6.4 (.252)          | 12.0 (.472) | 14.5 (.571)    | 16.5 (.650)    | 6.0 (.236)  |                |                |                 |               |          |         |          |           |         |
|   | 5/16      | 8      | L14-8       |             | 8.4 (.331)          | 16.0 (.630) | 14.5 (.571)    | 19.8 (.780)    | 8.0 (.315)  |                |                |                 |               |          |         |          |           |         |
|   | 3/8       | 10     | L14-10      |             | 10.5 (.413)         | 16.0 (.630) | 14.5 (.571)    | 19.8 (.780)    | 8.0 (.315)  |                |                |                 |               |          |         |          |           |         |
|   | 1/2       | 12     | L14-12      |             | 13.0 (.512)         | 22.0 (.866) | 14.5 (.571)    | 27.5(1.083)    | 11.0 (.433) |                |                |                 |               |          | 100     |          |           |         |
| 4<br>(16.78 to 26.66)                     | 10        | 5      | L22-5       | UL<br>SP    | 5.3 (.209)          | 16.5 (.650) | 16.8 (.661)    | 18.5 (.728)    | 8.3 (.327)  | 12.0<br>(.472) | 11.5<br>(.453) | 7.7<br>(.303)   | 1.8<br>(.071) | o        | o       | o        |           | 100     |
|   | 1/4       | 6      | L22-6       |             | 6.4 (.252)          | 16.5 (.650) | 16.8 (.661)    | 18.5 (.728)    | 8.3 (.327)  |                |                |                 |               |          |         |          |           |         |
|   | 5/16      | 8      | L22-8       |             | 8.4 (.331)          | 16.5 (.650) | 16.8 (.661)    | 18.5 (.728)    | 8.3 (.327)  |                |                |                 |               |          |         |          |           |         |
|   | 3/8       | 10     | L22-10      |             | 10.5 (.413)         | 17.5 (.689) | 17.0 (.669)    | 21.5 (.847)    | 8.8 (.346)  |                |                |                 |               |          |         |          |           |         |
|   | 7/16      | 11     | L22-11      |             | 11.5 (.453)         | 22.0 (.866) | 16.5 (.650)    | 27.5(1.083)    | 11.0 (.433) |                |                |                 |               |          |         |          |           |         |
|   | 1/2       | 12     | L22-12      |             | 13.0 (.512)         | 22.0 (.866) | 16.5 (.650)    | 27.5(1.083)    | 11.0 (.433) |                |                |                 |               |          |         |          |           |         |

Note:1) Delivery lead times may vary depending on the product. Contact JST for details.