

D

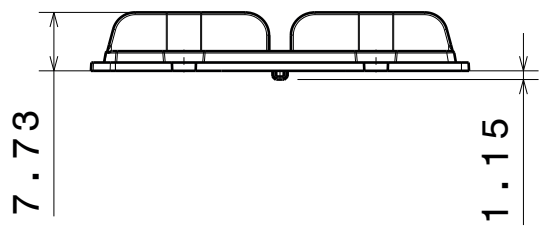
C

B

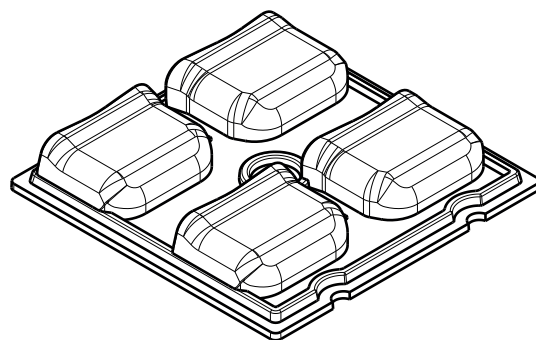
A

4

4



Front view



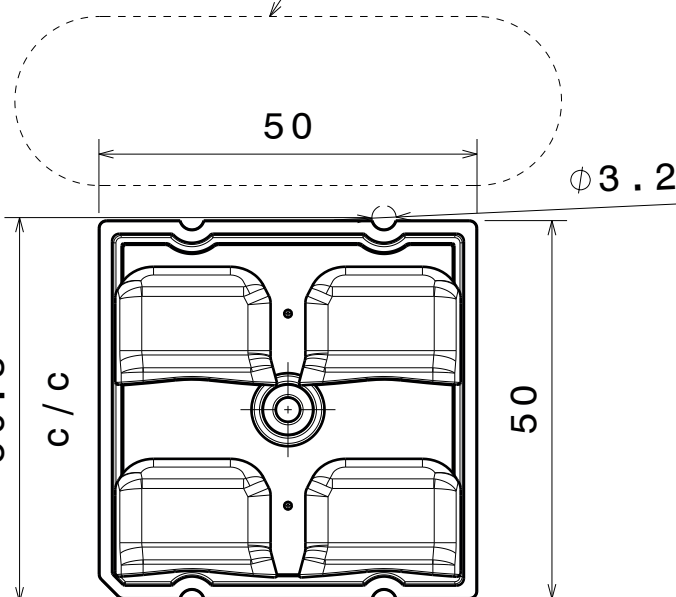
Isometric view

Scale: 1:1

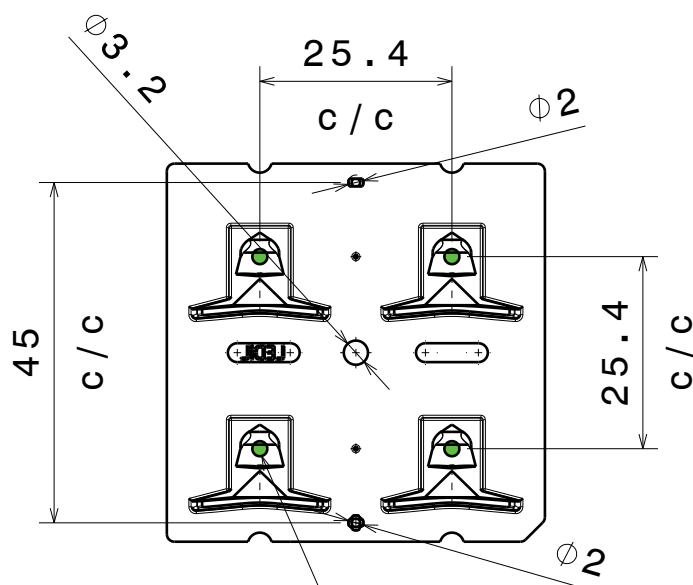
Beam direction

3

3



Top view



Bottom view

LED middle position

2

2

INDEX	PART NO	DESCRIPTION	MATERIAL	COLOUR
1	C15021	STRADA-2X2-SCL	PMMA	

Plastic moulding general tolerances according to DIN 16901-130 and applies if not otherwise shown in the drawing.
Silicone moulding general tolerances according to ISO 3302-1 Class M3 and applies if not otherwise shown in the drawing.

LEDiL

Ledil Oy
Salorankatu 10
FIN 24240 SALO
Finland

THIRD ANGLE PROJECTION:



DRAWING TITLE

C15021_STRADA-2X2-SCL

This drawing is the property of LEDiL Oy. It may not be reproduced, copied or communicated without a written agreement with LEDiL Oy.

SIZE PART NUMBER

A4

C15021

SCALE 1:1 WEIGHT 9,35 g SHEET 1/1

D

A

1

1