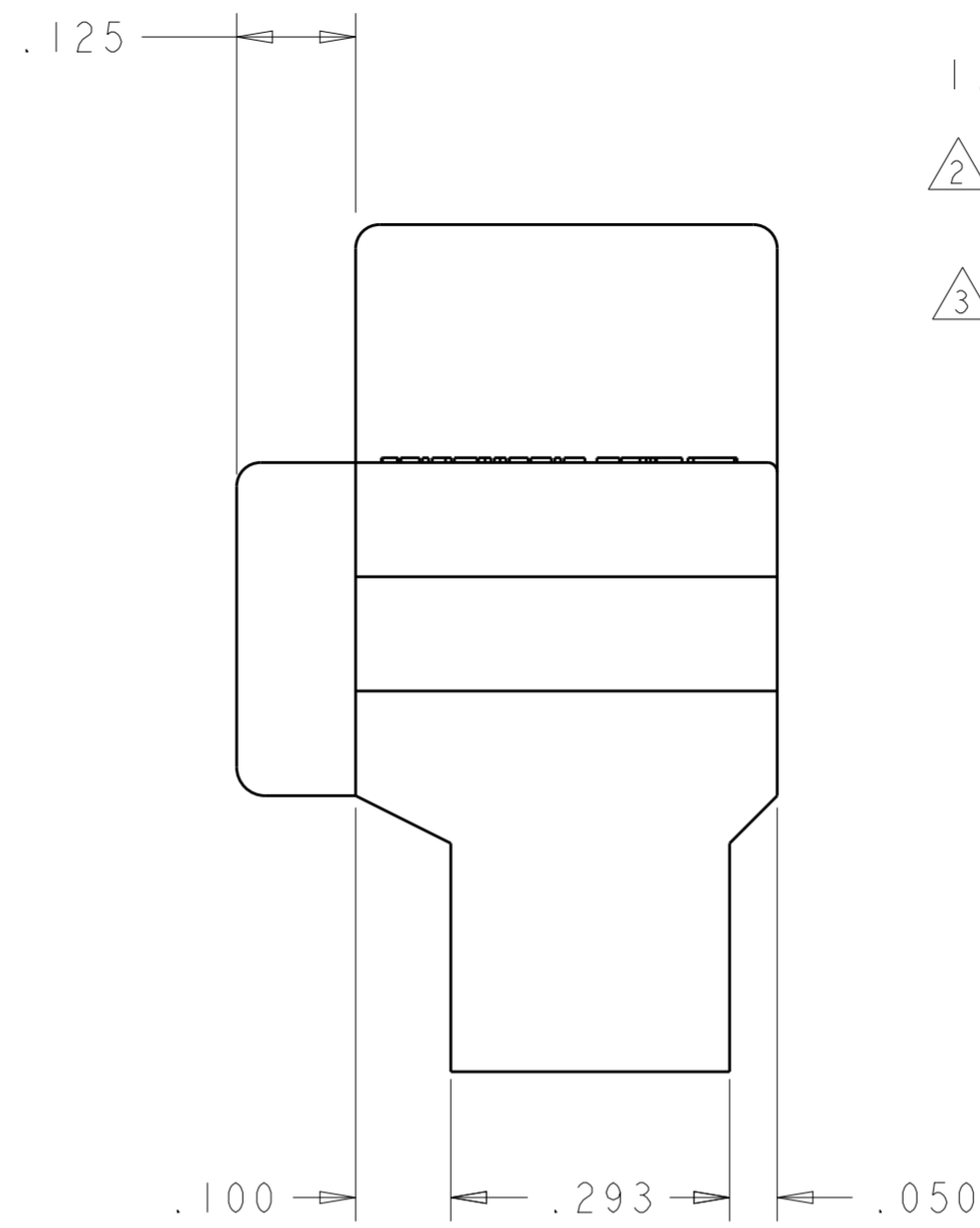
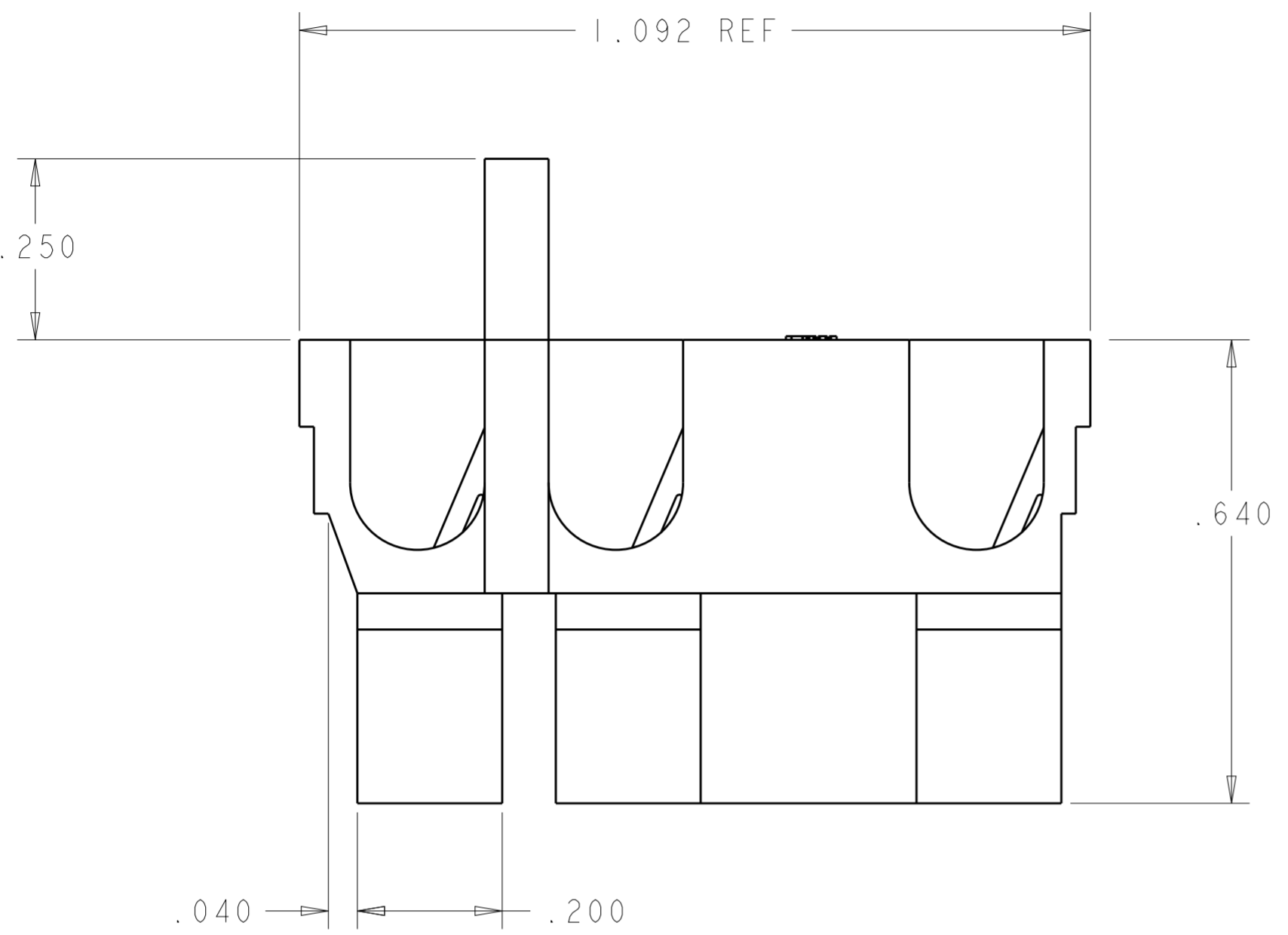
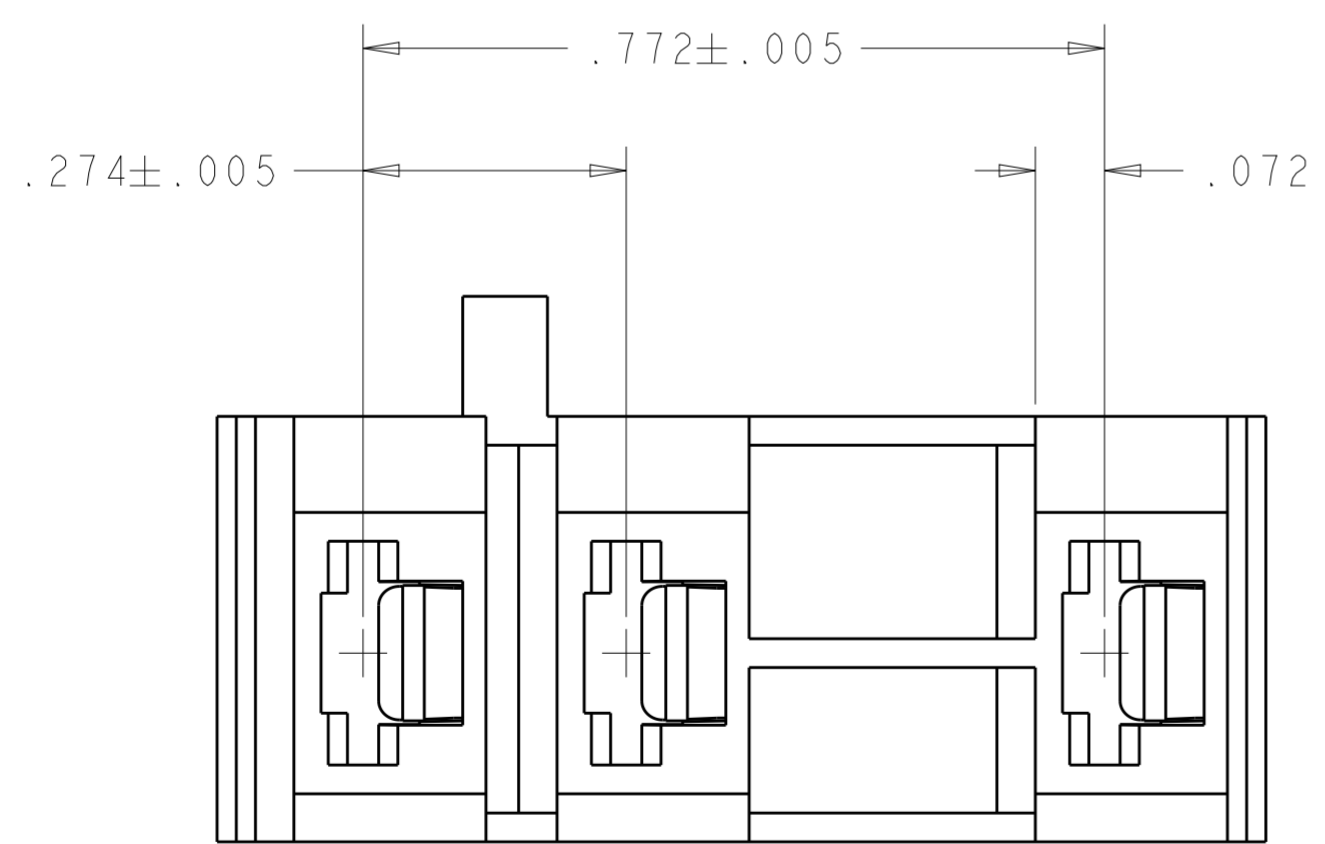
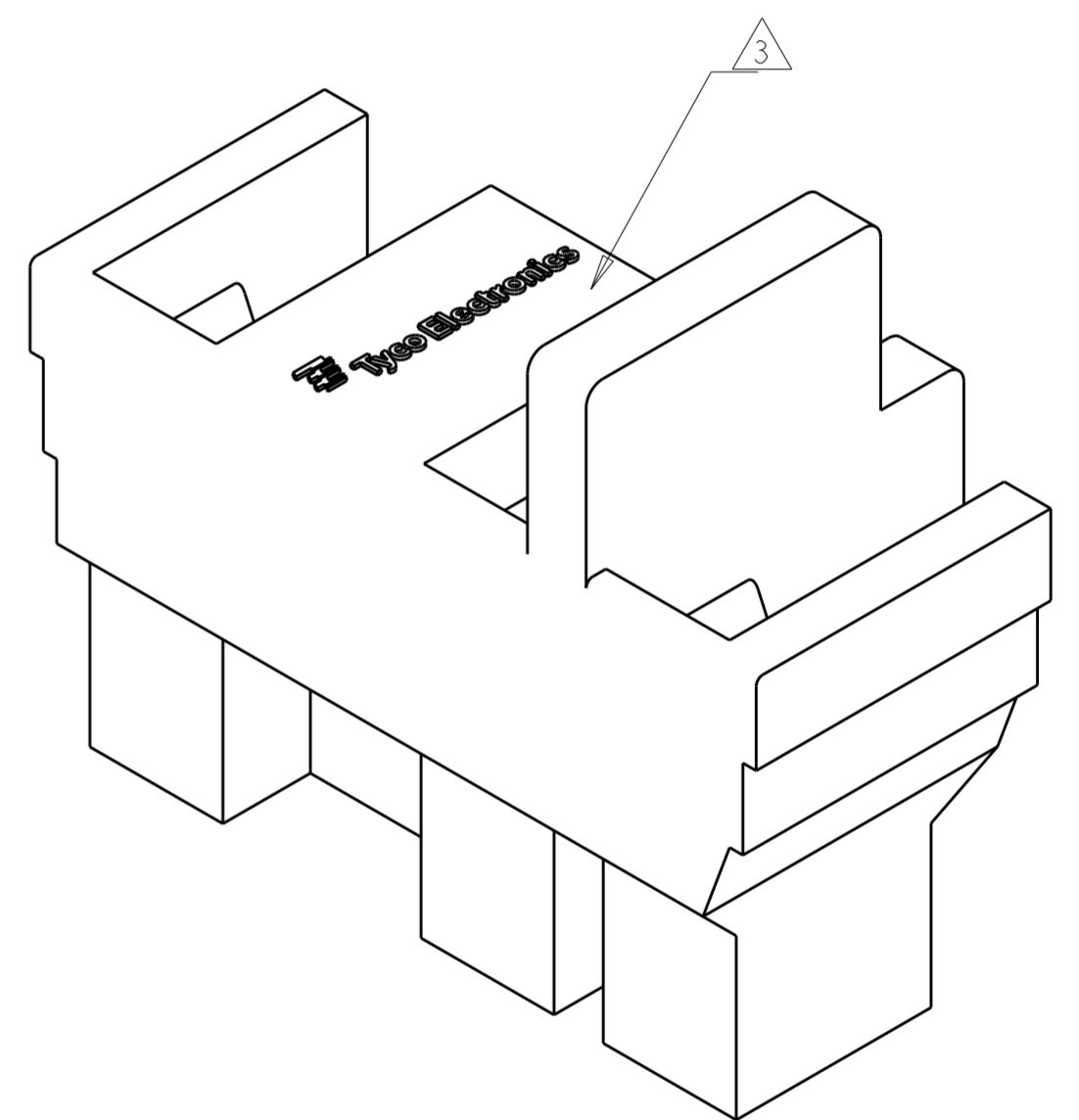


THIS DRAWING IS UNPUBLISHED. RELEASED FOR PUBLICATION 20
 © COPYRIGHT 20 BY - ALL RIGHTS RESERVED.

REVISIONS				
P	LTR	DESCRIPTION	DATE	APVD
A3		REVISED PER ECR-19-006363	02MAY2019	BDA DS



- 1. MINIMUM TAB LENGTH .325
- 2. GLOW WIRE APPROVED MATERIAL, CONTACT TE ENGINEERING FOR SPECIFICATIONS
- 3. MATERIAL SYMBOL APPROX LOCATION AS SHOWN



	NATURAL	NYLON 66, V0, GWT	1-521787-1
	NATURAL	6 NYLON, V-2	521787-2 ²
SUPERSEDED BY 1-521787-1	NATURAL	NYLON 66, V0	521787-1
	COLOR	MATERIAL	PART NUMBER

THIS DRAWING IS A CONTROLLED DOCUMENT.		DWN R FLAIG 09FEB2005	TE Connectivity
DIMENSIONS: INCHES		CHK P DESANTIS 09FEB2005	
TOLERANCES UNLESS OTHERWISE SPECIFIED:		APVD P DESANTIS 09FEB2005	
0 PLC ± 1 PLC ± 2 PLC ± 3 PLC ±.010 4 PLC ± ANGLES ±2° FINISH -		PRODUCT SPEC - APPLICATION SPEC - WEIGHT -	
MATERIAL -		NAME HOUSING, RECP, FLAG, FASTON, .187 SERIES SIZE A2 CAGE CODE 00779 DRAWING NO C-521787 RESTRICTED TO CUSTOMER DRAWING SCALE 5:1 SHEET 1 OF 1 REV A3	