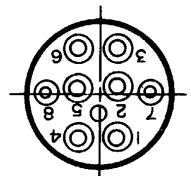
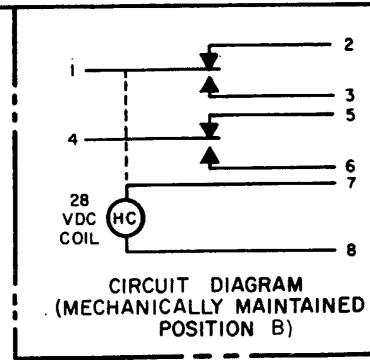
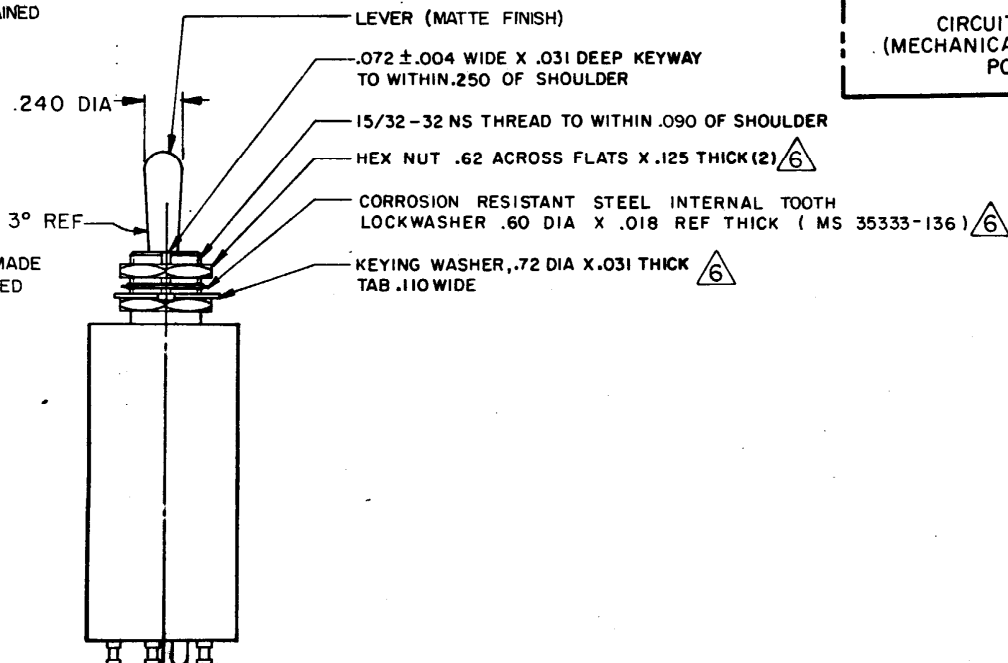
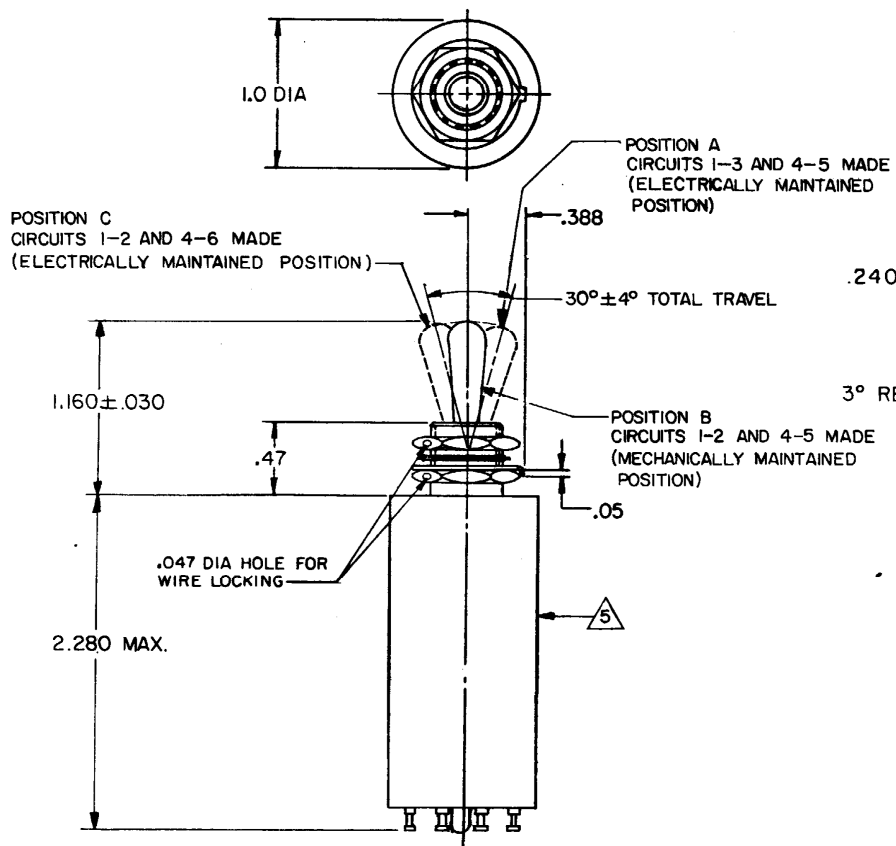


**SWITCH - TOGGLE
(MAGNETIC HOLD-IN)**

CATALOG LISTING
27ET61-T

MILITARY STANDARDS PART NO.
M5594/3-1

THIS DRAWING COVERS A PROPRIETARY ITEM AND IS THE PROPERTY OF MICRO SWITCH A DIVISION OF HONEYWELL. THIS DRAWING IS NOT TO BE COPIED OR USED WITHOUT THE APPROVAL OF MICRO SWITCH.



NOTES

- 1 - EXPOSED PARTS ARE OF CORROSION RESISTANT MATERIAL OR ARE SUITABLY PROTECTED TO PREVENT CORROSION. ENCLOSURE FINISHED WITH BLUE EPOXY ENAMEL COLOR NO. 25184 PER FEDERAL STANDARD 595.
- 2 - SWITCH SEALED PER MIL-S-5594
- 3 - HOLD IN VOLTAGE: THE MINIMUM SPECIFIED VOLTAGE AT WHICH THE LEVER REMAINS ACTUATED HOLD IN MAY OCCUR AT A LOWER VALUE. DROP OUT VOLTAGE: THE VOLTAGE RANGE IN WHICH THE LEVER WILL BE RELEASED.
- 4 - CIRCUITS CAN BE TRANSFERRED MANUALLY. ENERGIZING THE COIL WILL NOT CAUSE TRANSFER OF CIRCUITS.
- 5 - CIRCUIT IDENTIFICATION IS SHOWN ON SWITCH.
- 6 - HARDWARE MAY BE FURNISHED UNASSEMBLED PER MIL-S-5594

CHARACTERISTICS	ELECTRICAL DATA		SCALE FULL
SOLENOID RATING AT 20°C	CONTACT ARRANGEMENT		DO NOT SCALE PRINT
STATE LIMITS ----- 20-29 VDC	SPDT (2)		UNLESS OTHERWISE NOTED DIMENSIONS ARE IN INCHES TOLERANCES ARE:
IN ----- 15 VDC	LOAD	28 VDC	
OUT ----- 0-15 VDC	Resistive	Sea Level	ONE PLACE 1.01 ± .008
RESISTANCE ----- 220 OHM MIN	Inductive	65,000 feet	TWO PLACE 1.001 ± .015
ACTING FORCE ----- 7 LBS MAX			THREE PLACE 1.0001 ± .005
RELEASE FORCE AT 29VDC ----- 10 LBS MAX			ANGLES ±
			WEIGHT 4.0 OZ MAX