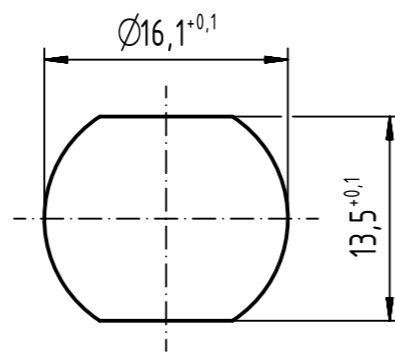
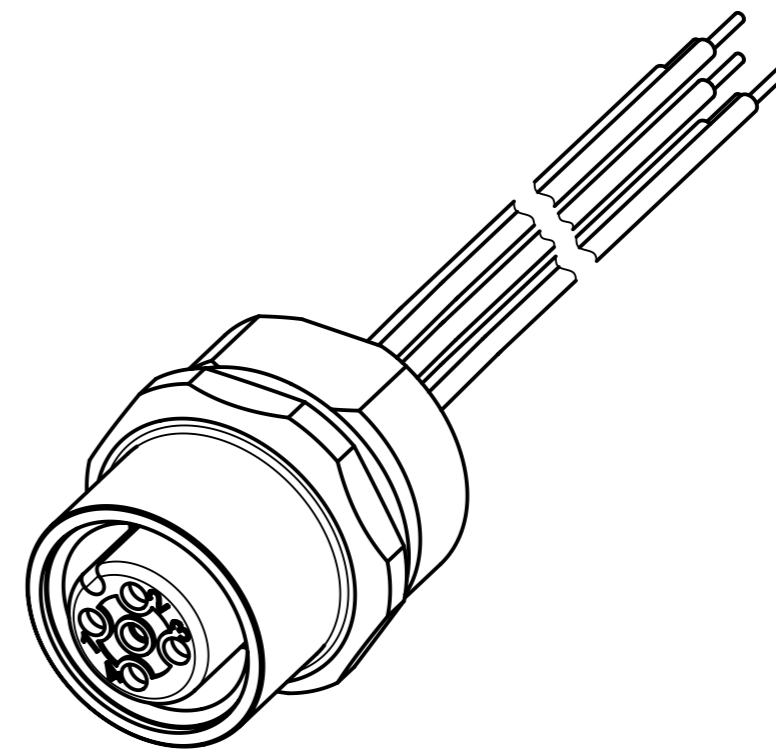


- Loading-Plan:
- 1 brown
 - 2 white
 - 3 blue
 - 4 black
 - 5 green-yellow

Recommended panel cut-out



Minimum wall thickness 1.5mm



- Protection level: IP67
- Temperature range: -30°C ... +80°C
- Order lock nut separately

| | | | | | | | | | |
|-----------|-------------|---|-----------|--|-----------------------------|--------------|---|---|---|
| | | All rights reserved Department EC PD - RO HARTING Electronics GmbH D-32339 Espelkamp | | All Dimensions in mm Original Size DIN A3 | Scale 2:1 Free size tol. | Ref. Sub. | Created by TAMAS Inspected by AVRAM Title M12 A-coded Cable Assembly Type TB | Standardisation SCHREIER Date 2017-07-28 Number 210331765XX | State Final Release Doc-Key / ECM-Nr. 100581416/UGD/009/D 500000122985 Rev. D Page 1/1 |
| 2 | 21033176510 | AWG 24, PVC | 1 | | | | | | |
| 1 | 21033176505 | | 0.5 | | | | | | |
| Cont. No. | Part - no. | Type of cable | Dim. a[m] | | | | | | |