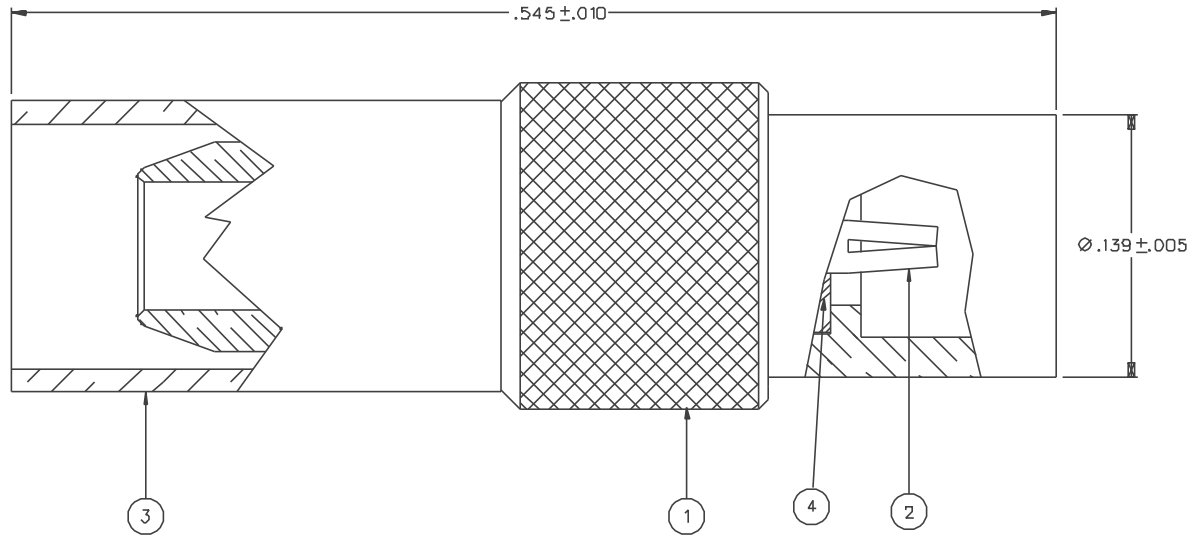


PART NUMBER 135-3303-001	ITEM ① BODY ASSEMBLY BRASS GOLD PL .00001 MIN OVER NICKEL PL .00005 MIN OVER COPPER PL .00005 MIN	ITEM ② CONTACT BERYLLIUM COPPER GOLD PL .00003 MIN OVER NICKEL PL .00005 MIN OVER COPPER PL .00005 MIN	ITEM ③ CRIMP SLEEVE COPPER GOLD PL .00001 MIN OVER NICKEL PL .00005 MIN OVER COPPER PL .00005 MIN	ITEM ④ INSULATOR TEFLON
-----------------------------	--	---	--	-------------------------------

DRAWING NO. C - 135-3303-001/010	
0	REVISIONS
ENGINEERING RELEASE	
1	10-20-97 R H S T K ECN 45099



NOTES:

1. SPECIFICATIONS:

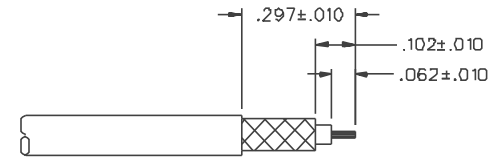
IMPEDANCE: 50 OHMS  
 FREQUENCY RANGE: 0-6 GHz  
 VSWR: 1.2 MAX (F IN GHz)  
 WORKING VOLTAGE: 170 VRMS MAX AT SEA LEVEL  
 DIELECTRIC WITHSTANDING VOLTAGE: 500 VRMS MIN AT SEA LEVEL  
 INSULATION RESISTANCE: 1000 MEGOHM MIN  
 CONTACT RESISTANCE:  
 CENTER CONTACT - INITIAL 5.0 MILLIOHM MAX, AFTER ENVIRONMENTAL 8.0 MILLIOHM MAX  
 OUTER CONDUCTOR - GOLD PLATED INITIAL 1 MILLIOHM MAX, AFTER ENVIRONMENTAL 1.5 MILLIOHM MAX  
 BODY TO BRAID - GOLD PLATED INITIAL 1.5 MILLIOHM MAX, AFTER ENVIRONMENTAL NOT APPLICABLE  
 CORONA LEVEL: 190 VOLTS MINIMUM AT 70,000 FEET  
 INSERTION LOSS: 0.1DB MAX AT 1 GHz  
 RF LEAKAGE: -60 DB AT 2.5 GHz  
 RF HIGH POTENTIAL WITHSTANDING VOLTAGE: 400 VRMS AT 4 AND 7 MHZ

MECHANICAL:

ENGAGE/DISENGAGE FORCE: 8.0 LBS MAX ENGAGEMENT  
 1.4 LBS MIN DISENGAGEMENT  
 CONTACT RETENTION FORCE: 2.0 LBS MIN AXIAL FORCE  
 CONTACT RETENTION TORQUE: NOT APPLICABLE  
 COUPLING MECHANISM RETENTION: NOT APPLICABLE  
 CABLE ACCEPTABILITY: RG 316/U, 188, 161, 174  
 CABLE HEX CRIMP SIZE: .128 HEX  
 CABLE RETENTION: 20 LBS  
 DURABILITY: 500 CYCLES MIN

ENVIRONMENTAL:

(MEETS OR EXCEEDS THE APPLICABLE PARAGRAPH OF MIL-C-39012)  
 THERMAL SHOCK: MIL-STD-202, METHOD 107, CONDITION C, EXCEPT -55 DEG C TO 155 DEG C  
 OPERATING TEMPERATURE: -55 DEG C TO 155 DEG C  
 CORROSION: MIL-STD-202, METHOD 101, CONDITION B  
 SHOCK: MIL-STD-202, METHOD 213, CONDITION B  
 VIBRATION: MIL-STD-202, METHOD 204, CONDITION D  
 MOISTURE: MIL-STD-202, METHOD 106



CABLE STRIP DIMENSIONS


4:1

CUSTOMER DRAWING

THIS DRAWING TO BE INTERPRETED PER ANSI Y 14.5M - 1982

"μSTATION"

COMPANY CONFIDENTIAL

TOLERANCE UNLESS OTHERWISE SPECIFIED	DRAWN BY SWC	DATE 8-19-97	 Cinch Connectivity Solutions 299 Johnson Ave, Ste. 100 Waukegan, MN 55093 1-800-247-8256
DECIMALS .XX	CHECKED BY SWC	DATE 10-20-97	
.XXX ± .003	APPROVED BY TAK	DATE 10-24-97	TITLE ASSEMBLY JACK STRAIGHT CABLED MMCX RG 316
MATL	APPROVED BY RJB	DATE 10-27-97	CODE NO.
FINISH	RELEASE DATE		DRAWING NO. C - 135-3303-001/010
SCALE 20:1			W/M INCH SHEET 2 OF 2