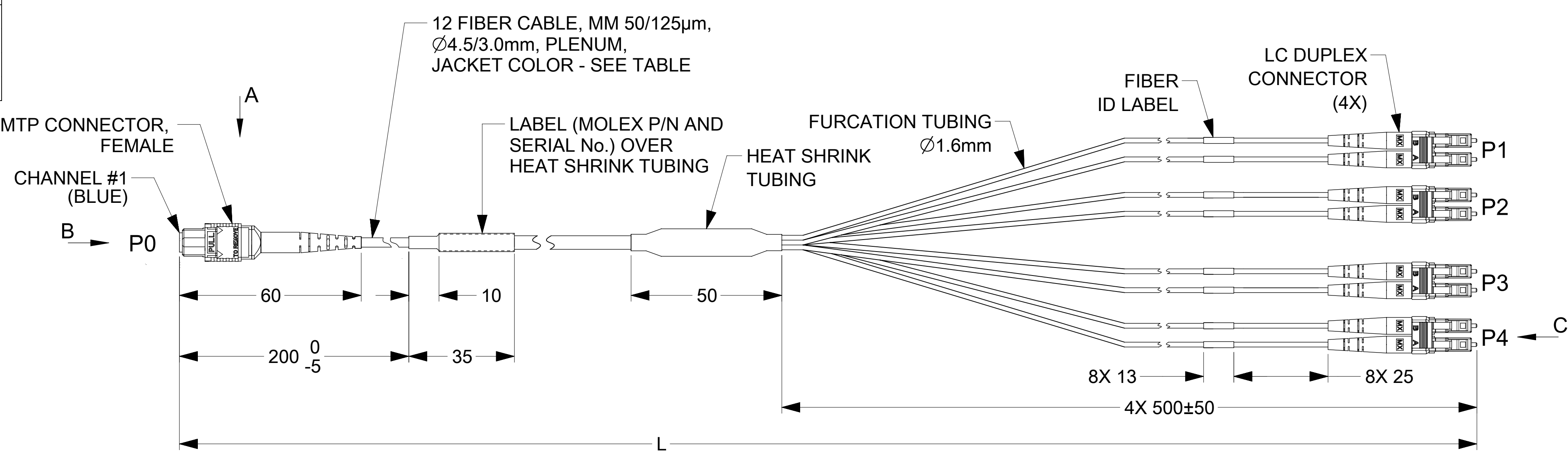
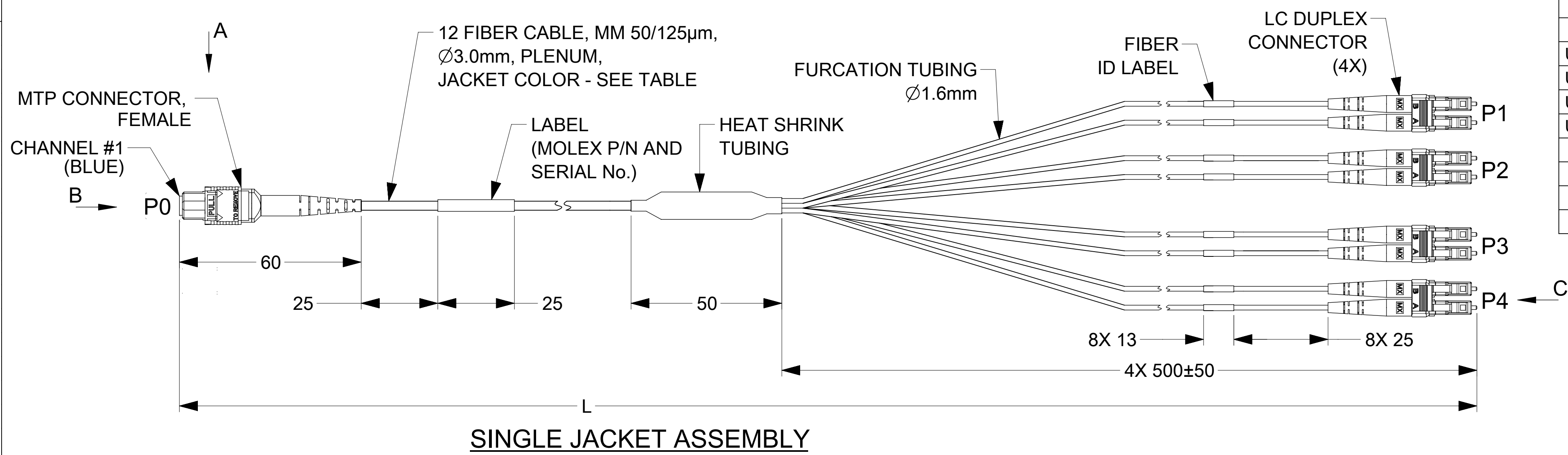


QSFP CABLE ASSEMBLY PART NUMBER			OVERALL LENGTH L (m)	CABLE DIA (mm)	CABLE TYPE
STANDARD BANDWIDTH (OM2 FIBER) ORANGE CBL	HIGH BANDWIDTH (OM3 FIBER) AQUA CBL	HIGH BANDWIDTH (OM4 FIBER) AQUA CBL			
1062835001	1062835101	1062835401	1.0 +0.2/-0	3.0	BARE FIBER INTERCONNECT, SINGLE JACKET
1062835009	1062835109	1062835402	2.0 +0.2/-0		
TBD	TBD	1062835415	2.4 +0.2/-0		
1062835002	1062835102	1062835403	3.0 +0.2/-0		
TBD	TBD	1062835416	3.8 +0.2/-0		
TBD	1062835119	1062835434	4.0 +0.2/-0		
TBD	TBD	1062835417	4.6 +0.2/-0		
1062835003	1062835103	1062835404	5.0 +0.20/-0		
TBD	1062835121	TBD	5.5 +0.20/-0		
TBD	1062835122	1062835411	6.0 +0.20/-0		
TBD	TBD	1062835418	6.1 +0.20/-0		
1062835014	1062835114	1062835414	7.0 +0.20/-0		
TBD	TBD	1062835419	7.6 +0.20/-0		
TBD	1062835118	1062835435	8.0 +0.25/-0		
1062835004	1062835104	1062835405	10.0 +0.3/-0		
TBD	1062835117	TBD	12.0 +0.3/-0		
1062835005	1062835105	1062835406	15.0 +0.3/-0		
1062835007	1062835107	1062835407	20.0 +0.4/-0		
1062835017	1062835108	1062835408	30.0 +0.6/-0		
1062835015	1062835115	1062835511	50.0 +1.0/-0		
TBD	1062835126	1062835409	75.0 +1.5/-0		
TBD	1062835127	1062835410	80.0 +1.6/-0		
1062835016	1062835116	TBD	100.0 +2.0/-0		



OPTICAL CONNECTION		
FROM P0	TO CONNECTOR	FIBER ID
Rx-1	P1-B	Tx-1
Rx-2	P2-B	Tx-2
Rx-3	P3-B	Tx-3
Rx-4	P4-B	Tx-4
UNUSED	UNUSED	UNUSED
UNUSED	UNUSED	UNUSED
UNUSED	UNUSED	UNUSED
Tx-4	P4-A	Rx-4
Tx-3	P3-A	Rx-3
Tx-2	P2-A	Rx-2
Tx-1	P1-A	Rx-1

NOTE:  
CABLE ASSEMBLY SPECIFICATIONS:

OPTICAL PROPERTIES	MULTIMODE 50/125 μm BEND-INSENSITIVE
FIBER TYPE	0.5/0.35 dB
CONNECTOR INSERTION LOSS MTP/LC (MAX.)	3.5/1.2 dB/km AT 850/1300 nm
CABLE ATTENUATION (MAX.)	SEE TABLE 1
OVERFILLED LAUNCH BANDWIDTH, MIN.	
ENVIRONMENTAL PROPERTIES	
CONNECTOR MATERIALS	UL94 V-0
CABLE FLAMMABILITY RATING	PLENUM OFNP (NFPA262/UL 910)
OPERATING TEMPERATURE RANGE	-20°C TO +70°C
MECHANICAL PROPERTIES	
FIBER COUNT	4 Tx X 4 Rx
CABLE MIN. BEND RADIUS	
SHORT TERM	45mm - SINGLE JACKET
	68mm - DUAL JACKET
LONG TERM	20mm - SINGLE JACKET
	40mm - DUAL JACKET
NO LOAD	10mm - SINGLE JACKET
	OR SUBUNIT OF DUAL JACKET
CABLE COMPRESSION FORCE	>3.5 N/mm

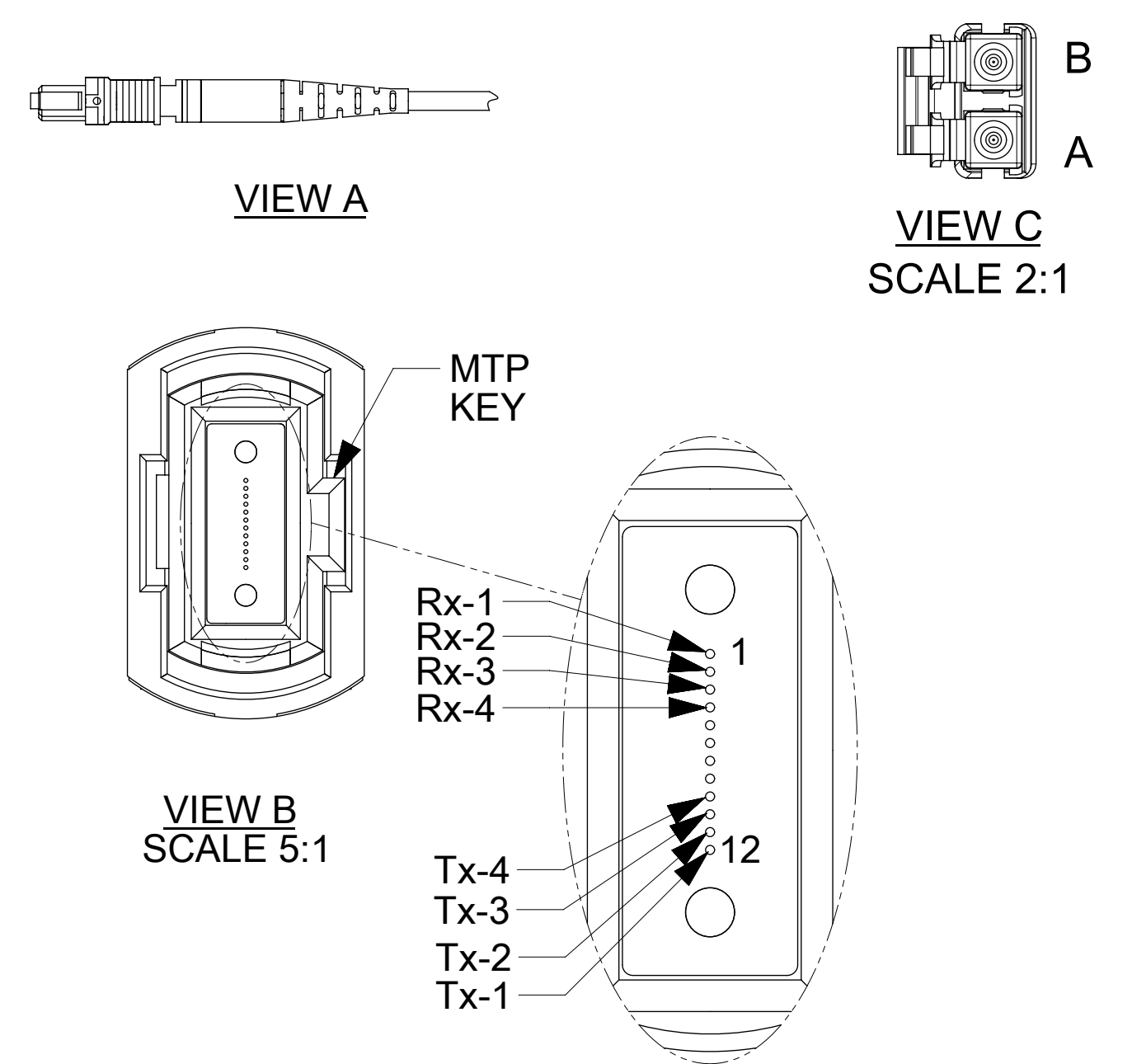


TABLE 1

FIBER TYPE	OVERFILLED LAUNCH BANDWIDTH, MIN. (MHz-km)		10 GIGABIT ETHERNET LINK DISTANCE, MIN. (m)		EFFECTIVE MODAL BANDWIDTH (MHz-km)
	850 nm	1300 nm	850 nm	1300 nm	850 nm
STANDARD BANDWIDTH (OM2)	500	500	86	---	---
HIGH BANDWIDTH (OM3)	1500	500	300	---	2000
HIGH BANDWIDTH (OM4)	3500	550	550	---	4700

THIS DRAWING CONTAINS INFORMATION THAT IS PROPRIETARY TO MOLEX ELECTRONIC TECHNOLOGIES, LLC AND SHOULD NOT BE USED WITHOUT WRITTEN PERMISSION

DIMENSION UNITS: mm	SCALE: 1:1	CURRENT REV DESC:	<b>molex</b>
GENERAL TOLERANCES (UNLESS SPECIFIED)	ANGULAR TOL ± 0.5°	EC NO: 726176	
4 PLACES ±	3 PLACES ±	DRWN: IGUMIN 2019/12/16	MOLEX QSFP OPTICAL BREAK-OUT CABLE ASSEMBLY
2 PLACES ±	1 PLACE ±	CHK'D: RWHEELER 2022/10/26	
0 PLACES ±		APPR: RWHEELER 2022/10/26	PRODUCT CUSTOMER DRAWING
DRAFT WHERE APPLICABLE MUST REMAIN WITHIN DIMENSIONS	THIRD ANGLE PROJECTION	INITIAL REVISION: DRWN: JSZEWCZYK 2007/04/18	DOCUMENT NUMBER: SD-106283-5XXX
		APPR: IGUMIN 2007/04/18	DOC TYPE: PSD
	D-DRAWING	SERIES: 106283	DOC PART: 001
		MATERIAL NUMBER: SEE TABLE	REVISION: 1G
		CUSTOMER:	SHEET NUMBER: 1 OF 1