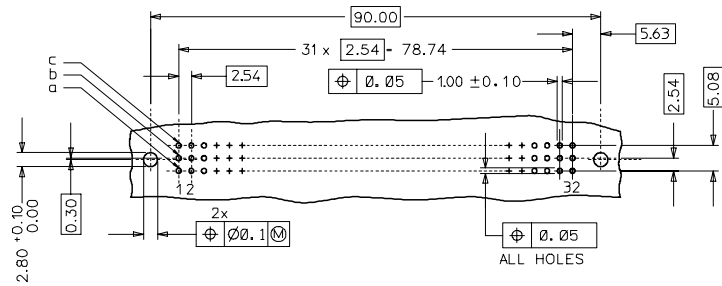
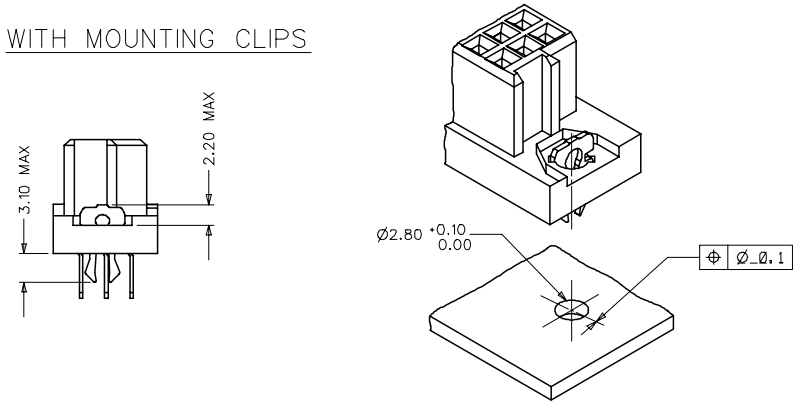


RECOMMENDED PCB LAYOUT  
COMPONENT SIDE



WITH MOUNTING CLIPS

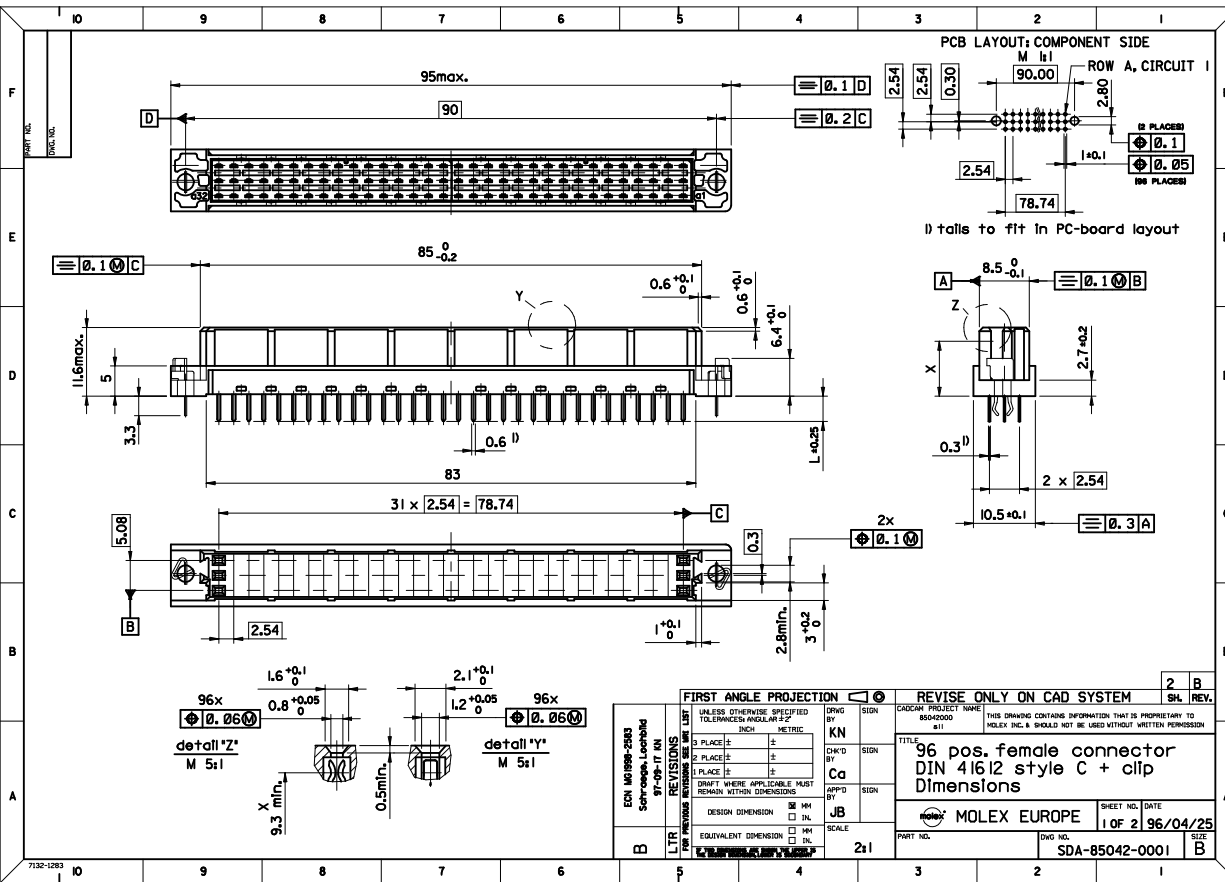


NOTES:

- 1) MATERIALS: THERMOPLASTIC POLYESTER, GLASS FILLED, UL94V-0, COLOUR: PEBBLE GREY RAL 7032  
TERMINAL - PHOSPHOR BRONZE  
MOUNTING CLIP: STEEL
- 2) FINISH: TERMINAL:-  
CONTACT AREA:  
1. PERFORMANCE LEVEL 1: SELECTIVE GOLD (Au), THICKNESS = 1.1 MICROMETER  
OVER NICKEL, THICKNESS = 1.5 MICROMETER  
2. PERFORMANCE LEVEL 2: SELECTIVE GOLD (Au), THICKNESS = 0.6 MICROMETER  
OVER NICKEL, THICKNESS = 1.5 MICROMETER  
3. PERFORMANCE LEVEL 3: SELECTIVE GOLD (Au), THICKNESS = 0.3 MICROMETER  
OVER NICKEL, THICKNESS = 1.5 MICROMETER  
TERMINATION AREA:  
SELECTIVE TIN, THICKNESS = 5 MICROMETER  
OVER NICKEL, THICKNESS = 1.5 MICROMETER OVERALL
- 3) MOUNTING CLIP:-  
TIN (Sn), THICKNESS = 5-10 MICROMETER,  
OVER NICKEL (Ni), THICKNESS = 2.5 MICROMETER
- 4) FOR NON MOUNTING CLIP OPTION, CONNECTOR TO BE SECURED WITH  
RIVETS: 2 TUBULAR RIVETS 2.5 x 0.3 ... DIN 7340  
SCREWS: 2 CHEESEHEAD SCREWS M2.5 x .... DIN 84 AND 2 HEXAGONAL NUTS M2.5 DIN 934
- 5) MATERIAL No, BATCH CODE, UL AND CSA MARKING TO BE PRINTED ON THE CONNECTOR.
- 6) CUT FACES OF TIP WITHOUT PLATING PERMITTED.
- 7) PRODUCT SPECIFICATION PS:36500-001

RoHS COMPLIANT

<b>ENTER DESCRIPTION</b> ELC.NCL: 12007-0193 DRAWING NO: 2007/01/08 CHKD BY: 2007/01/08 APPR BY: 2007/01/09	<b>QUALITY SYMBOLS</b> ▽=0 ▽=0	<b>GENERAL TOLERANCES (UNLESS SPECIFIED)</b>		<b>DIMENSION STYLE</b> MM ONLY		SCALE 2:1	DESIGN UNITS METRIC	THIRD ANGLE PROJECTION	
		4 PLACES ± --- ± --- 3 PLACES ± 0.05 ± --- 2 PLACES ± 0.1 ± --- 1 PLACE ± 0.15 ± ---	.mm INCH --- --- --- --- --- ---	DRAWN BY SSUDHIR DATE 2000/09/22	CHECKED BY G.L DATE 2000/09/22	TITLE ASSEMBLY DIN 41612 C FEMALE 96 POS 1.0MM PCB DIA		MATERIAL NO. 85042-0001	
<b>DRAFT WHERE APPLICABLE MUST REMAIN WITHIN DIMENSIONS</b>		SIZE A 1		THIS DRAWING CONTAINS INFORMATION THAT IS PROPRIETARY TO MOLEX INCORPORATED AND SHOULD NOT BE USED WITHOUT WRITTEN PERMISSION					



SHT. 1 OF		MRI -			
<b>MODIFICATION RECORD INDEX</b>					
ECN	ISS.	DATE	INIT.	SHTS. AFFECTED	DESCRIPTION OF MOD.
2213	A	96.04.26	KN	1 / 2	first release
2253	AI	96.10.01	KN	1	Kontur ueber Rastfenster
2583	B	97.09.17	KN	1	Schraege im Flanschbereich Lochbild

<b>MOLEX EUROPE</b>		<b>REVISE ONLY ON CAD SYSTEM</b>	
THIS DRAWING CONTAINS INFORMATION THAT IS PROPRIETARY TO MOLEX INC. & SHOULD NOT BE USED WITHOUT WRITTEN PERMISSION		CAD/CAM FILENAME	
MF0028		ISSUE	

**LEVEL CHART**

1	17	33	49
2	18	34	50
3	19	35	51 LEVEL INDEX
4	20	36	52 RESERVED
5	21	37	53 RESERVED
6	22	38	54 Inspection Balloons
7	23	39	55 DIMENSIONS
8	24	40	56 TABLES/CHARTS
9	25	41	57 REVISION TEXT & MRI
10	26	42	58 Notes/text - English
11	27	43	59 Bill of materials
12	28	44	60 notes/text - german
13	29	45	61
14	30	46	62 notes/text - french
15	31	47	63 RESERVED
16	32	48	

VIEW ON MATING SIDE

∩	A	A	A	A	A	A	A	A	A	A	A	A	A	A	A	A	A	A	A	A
∩																				
∩	A	A	A	A	A	A	A	A	A	A	A	A	A	A	A	A	A	A	A	A

1 2 3 4 5 6 7 8 9 10 11 12 13 14 15 16 17 18 19 20 21 22 23 24 25 26 27 28 29 30 31 32 33 34

A = 64 STANDARD CONTACTS L=4,5

Marking	Standard
Performance level	G2/0 = Contact area level2 / Termination tin
Flux proof	no
Fixing clip	no
Dimensions	SDA-85042-0001 sht.1
Technical Data	PS-85042-0001

A	G2/0	a1-32	c1-32
Contact symbol	Perform. level	Contact position number	

first release see ECN No. 2154	REVISIONS	FOR PREVIOUS REVISIONS SEE MRI LIST			
		DRWG BY	SIGN		
LTR	REVISIONS	UNLESS OTHERWISE SPECIFIED TOLERANCES: ANGULAR ± 2°	DRWG BY	SIGN	
		INCH	Ca	SIGN	
		METRIC	CHK'D BY	KN	SIGN
		3 PLACE ± .	APP'D BY		SIGN
2 PLACE ± .	DRAFT WHERE APPLICABLE MUST REMAIN WITHIN DIMENSIONS				
1 PLACE ± .	DESIGN DIMENSION <input type="checkbox"/> MM <input type="checkbox"/> IN.				
EQUIVALENT DIMENSION <input type="checkbox"/> MM <input type="checkbox"/> IN.		SCALE			
IF TWO DIMENSIONS ARE SHOWN, THE UPPER IS THE DESIGN DIMENSION, LOWER IS SECONDARY					
		CAD/CAM PROJECT NAME	SH. REV.		
		s8504201 s71	THIS DRAWING CONTAINS INFORMATION THAT IS PROPRIETARY TO MOLEX INC. & SHOULD NOT BE USED WITHOUT WRITTEN PERMISSION		
		TITLE	SHEET NO. DATE		
		96 pos. female connector acc. DIN 41612 style C contacts arrangement	1 OF 1 96/05/24		
		MOLEX EUROPE	DWG NO.		
		85042-0177	SDA-85042-0177		
			SIZE		
			A		