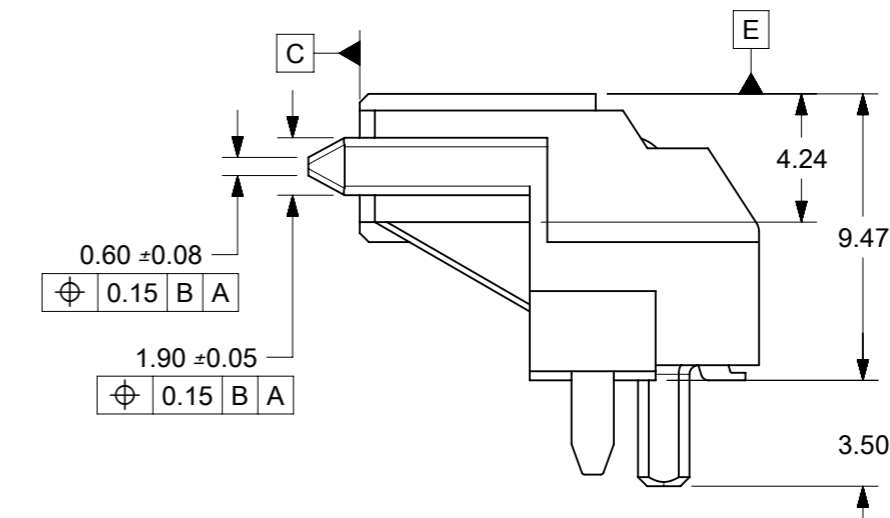
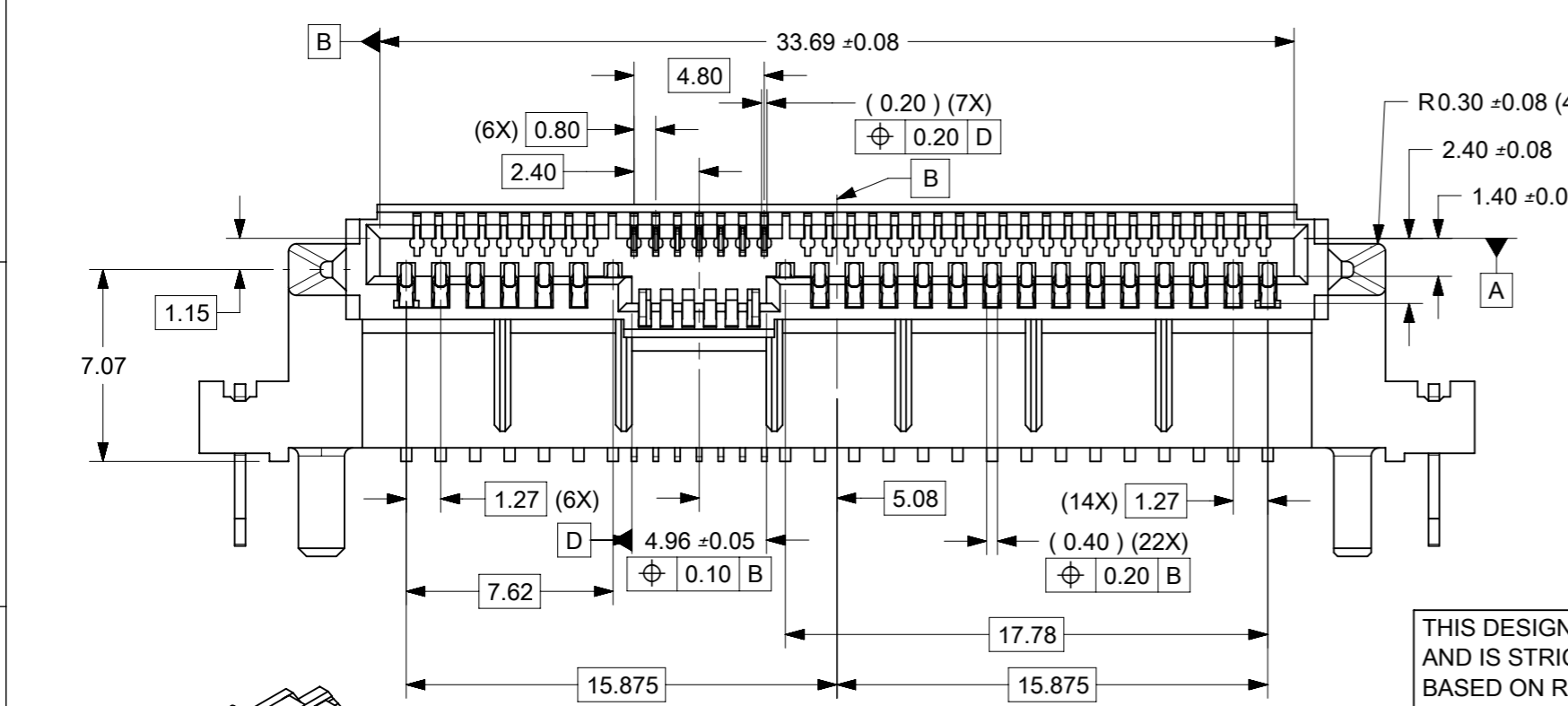
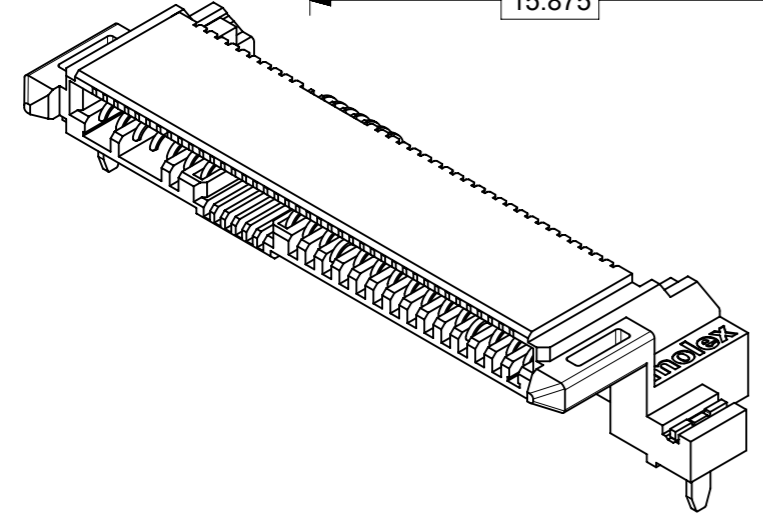


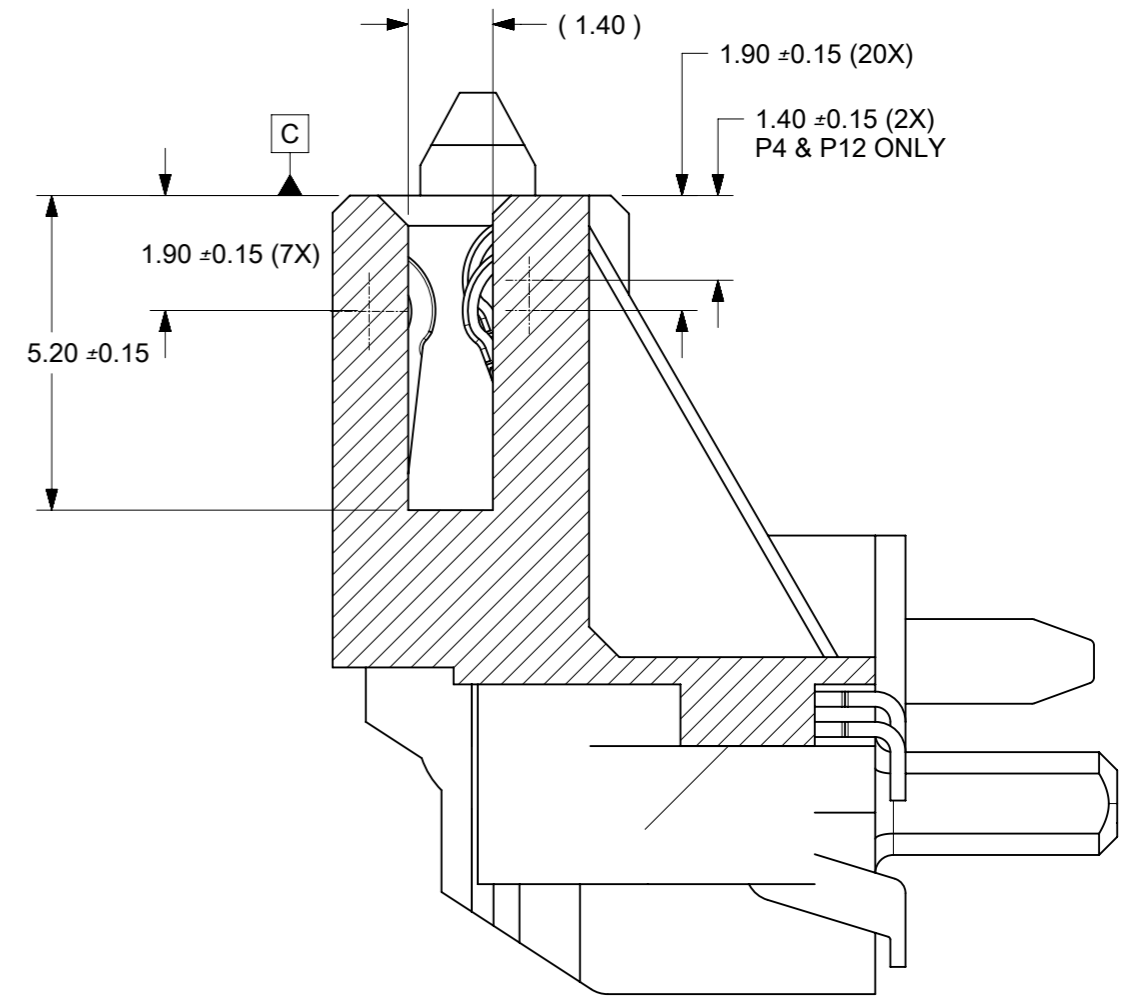
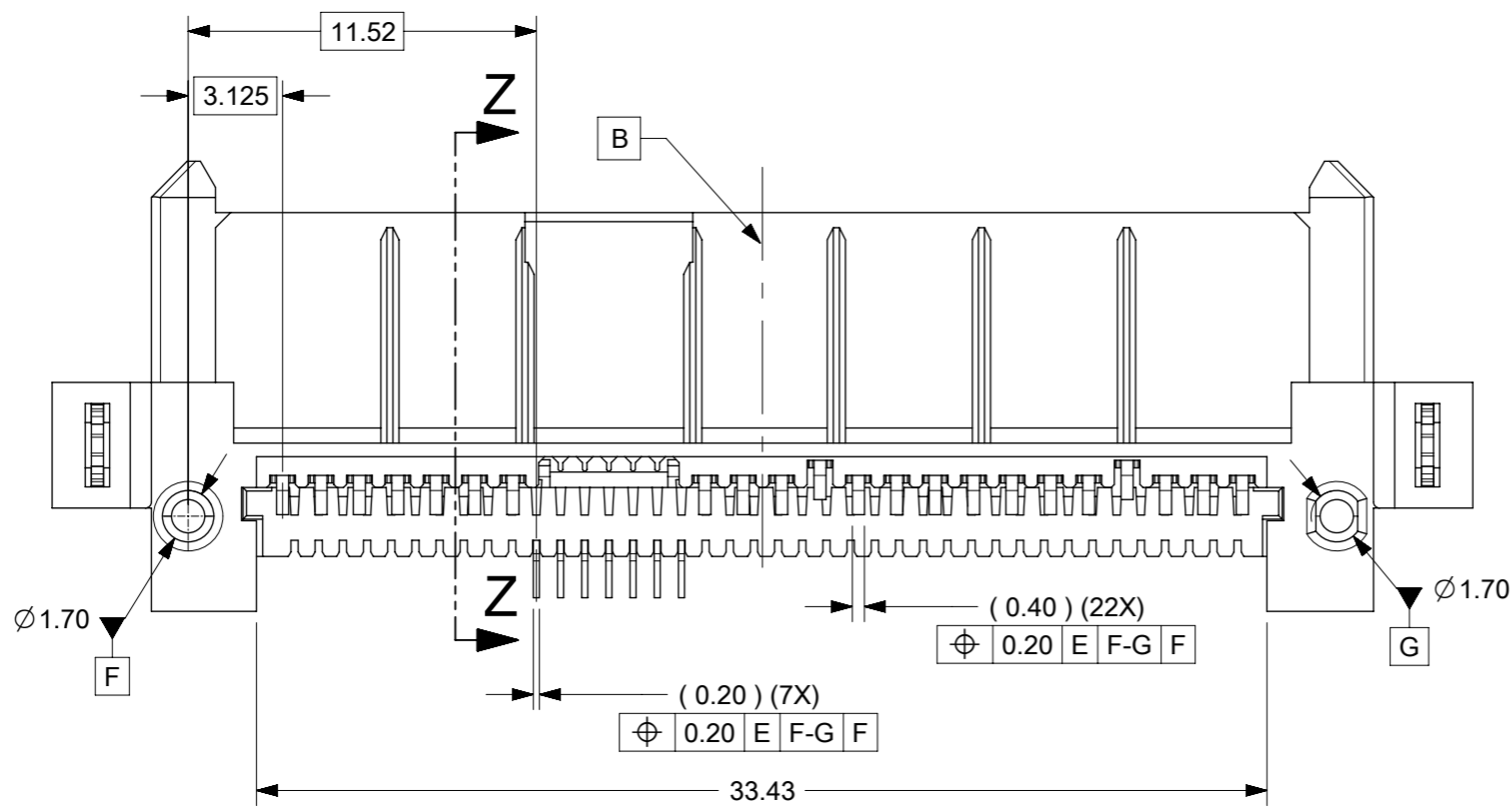
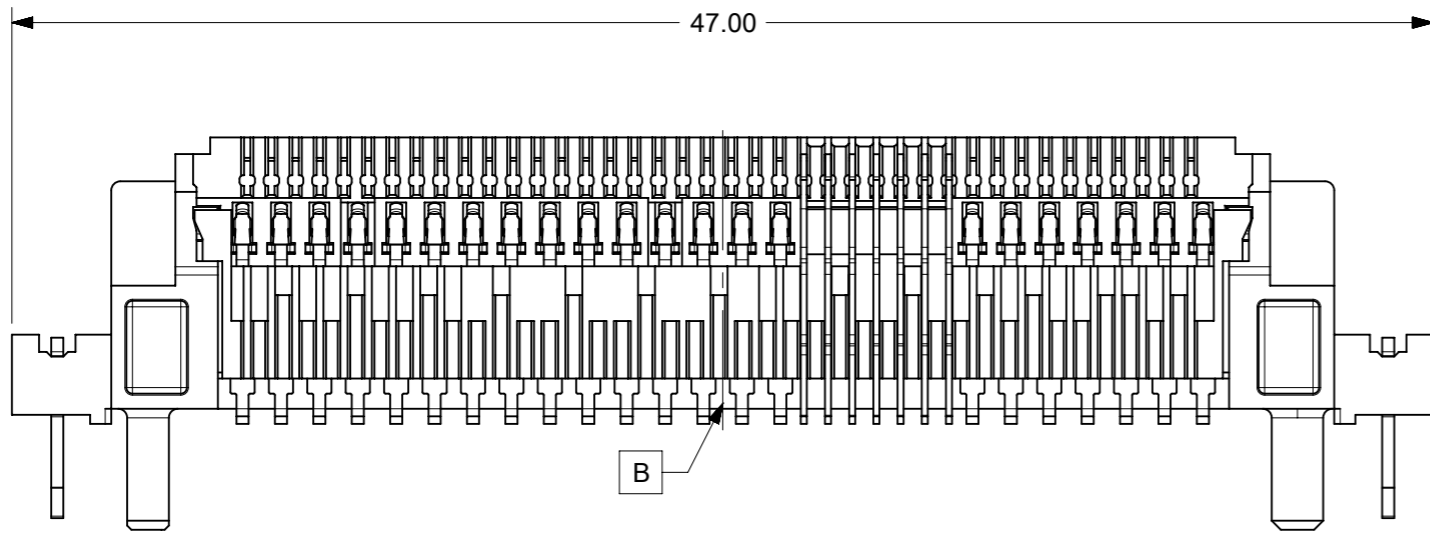
- NOTES:
1. MATERIAL:
HOUSING: LCP, GLASS FILLED, UL 94V-0, COLOR: BLACK
TERMINAL: COPPER ALLOY
PCB HOLD-DOWN: COPPER ALLOY
 2. PLATING:
TERMINAL:
CONTACT: 0.76 MICROMETER MIN. GOLD OVER 1.27 MICROMETER MIN. NICKEL UNDERPLATE
SOLDERTAIL: 2.54 MICROMETER MIN. TIN OVER 1.27 MICROMETER MIN. NICKEL UNDERPLATE
PCB HOLD-DOWN: 2.54 MICROMETER MIN. TIN OVER 1.27 MICROMETER MIN. NICKEL UNDERPLATE
 3. PRODUCT SPECIFICATION: PS-78717-001.
 4. PACKAGING SPECIFICATION: PK-78717-001.
 5. THIS PRODUCT IS COMPLIANT WITH RoHS DIRECTIVE WITH THE FOLLOWING BANNED SUBSTANCES - LEAD, MERCURY, CADMIUM, HEXAVALENT CHROMIUM, POLYBROMINATED BIPHENYLS AND POLY BROMINATED DIPHENYL ETHERS.
 6. MOLEX LOGO, DATE CODE AND CAVITY ID TO BE LOCATED APPROXIMATELY AS SHOWN.
 7. NON-FUNCTIONAL CORING MAY VARY.
 8. CONNECTOR COMES WITH A CAP TO BE REMOVED AFTER SOLDERING.
SEE SHEET 4 FOR THE OVERALL OUTLINE OF THE CONNECTOR WITH ITS CAP



THIS DESIGN IS BASED ON DESIGN OBJECTIVES AND IS STRICTLY TENTATIVE. IT MAY CHANGE BASED ON RESULTS OF ADDITIONAL DESIGN REVIEWS AND VERIFICATIONS.



THIS DRAWING CONTAINS INFORMATION THAT IS PROPRIETARY TO MOLEX ELECTRONIC TECHNOLOGIES, LLC AND SHOULD NOT BE USED WITHOUT WRITTEN PERMISSION		CURRENT REV DESC: MIGRATED		molex	
DIMENSION UNITS	SCALE				
mm	NTS			PRODUCT CUSTOMER DRAWING	
GENERAL TOLERANCES (UNLESS SPECIFIED)		EC NO: 636399		DOCUMENT NUMBER	
ANGULAR TOL	± 3.0°	DRWN: ME	2019/05/23	SD-78717-001	
4 PLACES	±	CHK'D: JAKEEMEW	2020/04/23	DOC TYPE	DOC PART
3 PLACES	±	APPR: SHLENI	2020/05/03	PSD	001
2 PLACES	± 0.2	INITIAL REVISION:		REVISION	A
1 PLACE	±	DRWN: JAKEEMEW	2014/01/09		
0 PLACES	±	APPR: JAKEEMEW	2014/12/01		
DRAFT WHERE APPLICABLE MUST REMAIN WITHIN DIMENSIONS		THIRD ANGLE PROJECTION	DRAWING	SERIES	MATERIAL NUMBER
			A3-SIZE	78717	SEE TABLE
				CUSTOMER	SHEET NUMBER
				GENERAL MARKET	1 OF 7

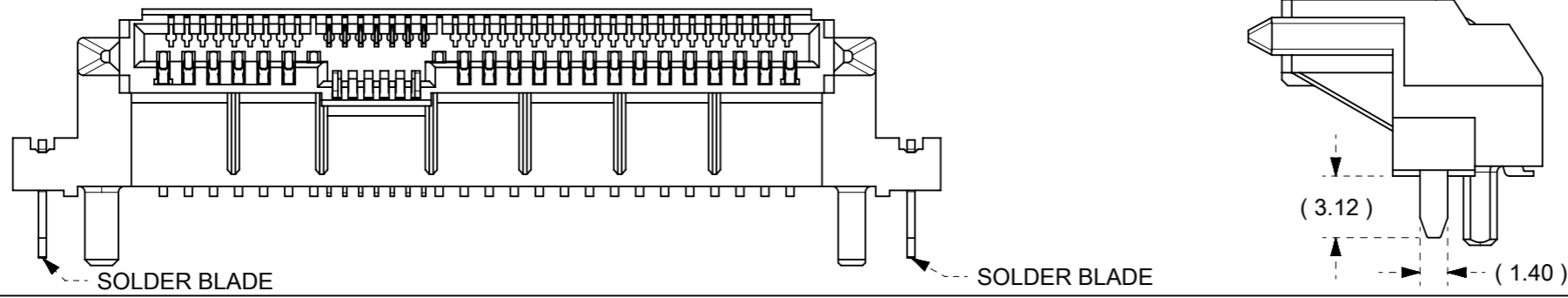


SECTION Z-Z

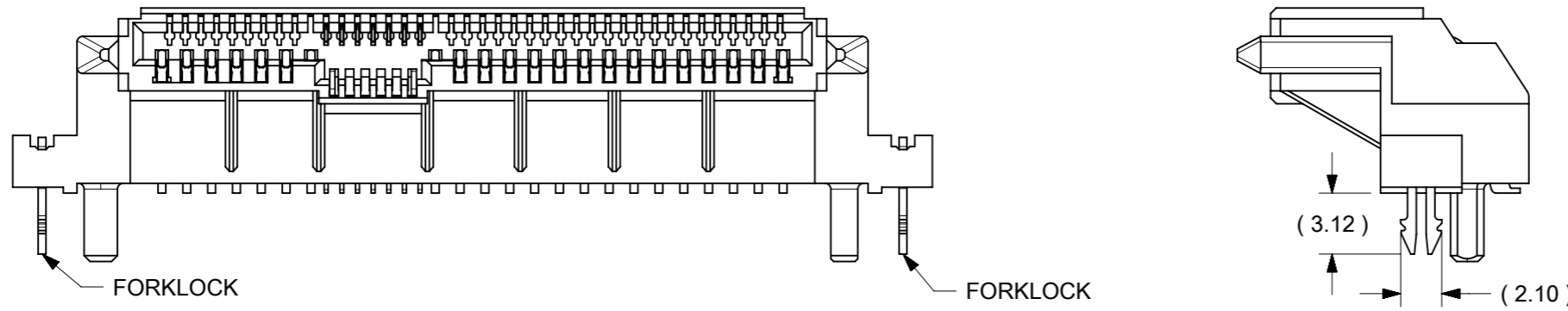
THIS DRAWING CONTAINS INFORMATION THAT IS PROPRIETARY TO MOLEX ELECTRONIC TECHNOLOGIES, LLC AND SHOULD NOT BE USED WITHOUT WRITTEN PERMISSION									
DIMENSION UNITS		SCALE		CURRENT REV DESC: MIGRATED				molex	
mm		NTS							
GENERAL TOLERANCES (UNLESS SPECIFIED)				EC NO: 636399				12G SAS RECEPTACLE R/A, SMT, 7.07MM HEIGHT	
ANGULAR TOL ± 3.0°				DRWN: ME 2019/05/23					
4 PLACES ±				CHK'D: JAKEEMEW 2020/04/23				PRODUCT CUSTOMER DRAWING	
3 PLACES ±				APPR: SHLENI 2020/05/03					
2 PLACES ± 0.2				INITIAL REVISION:				DOCUMENT NUMBER	
1 PLACE ±				DRWN: JAKEEMEW 2014/01/09					
0 PLACES ±				APPR: JAKEEMEW 2014/12/01				SD-78717-001	
DRAFT WHERE APPLICABLE MUST REMAIN WITHIN DIMENSIONS		THIRD ANGLE PROJECTION		DRAWING		SERIES		MATERIAL NUMBER	
				A3-SIZE		78717		SEE TABLE	
CUSTOMER		GENERAL MARKET		SHEET NUMBER		2 OF 7			

PCB HOLD-DOWN CONFIGURATION

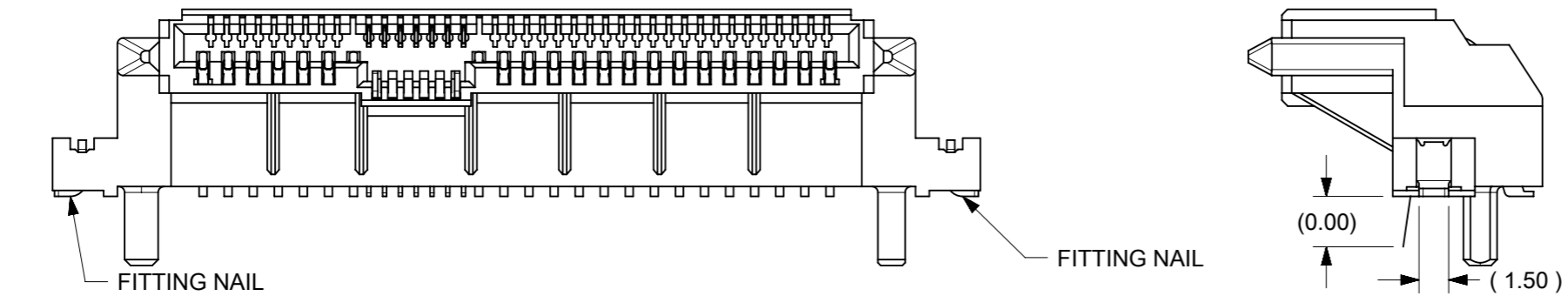
FRONT AND SIDE VIEW OF TYPE A (SOLDER BLADE)



FRONT AND SIDE VIEW OF TYPE B (FORKLOCK)

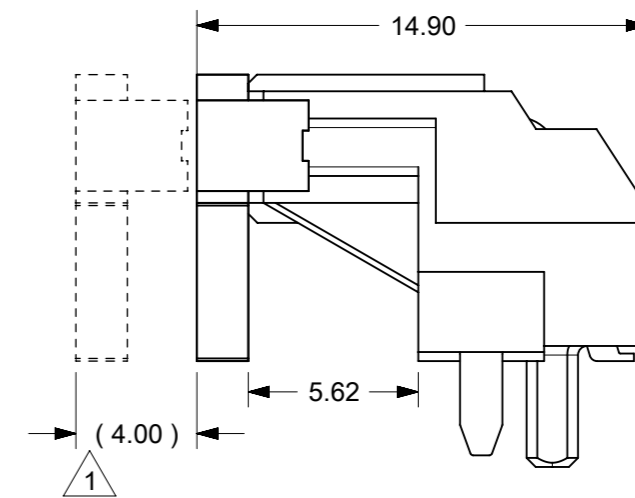
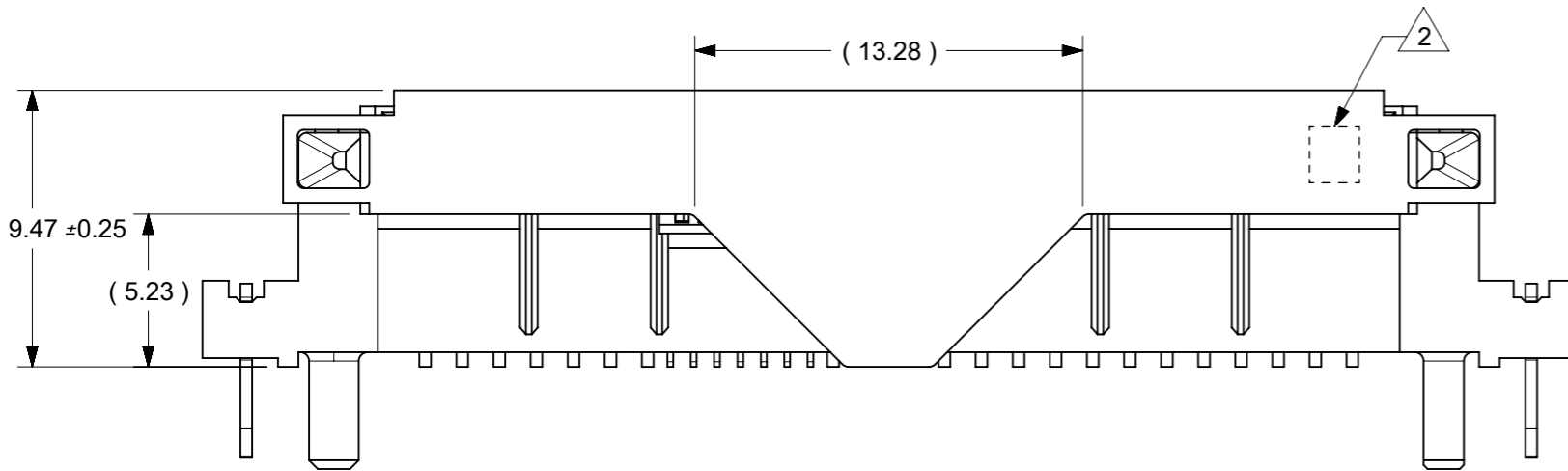
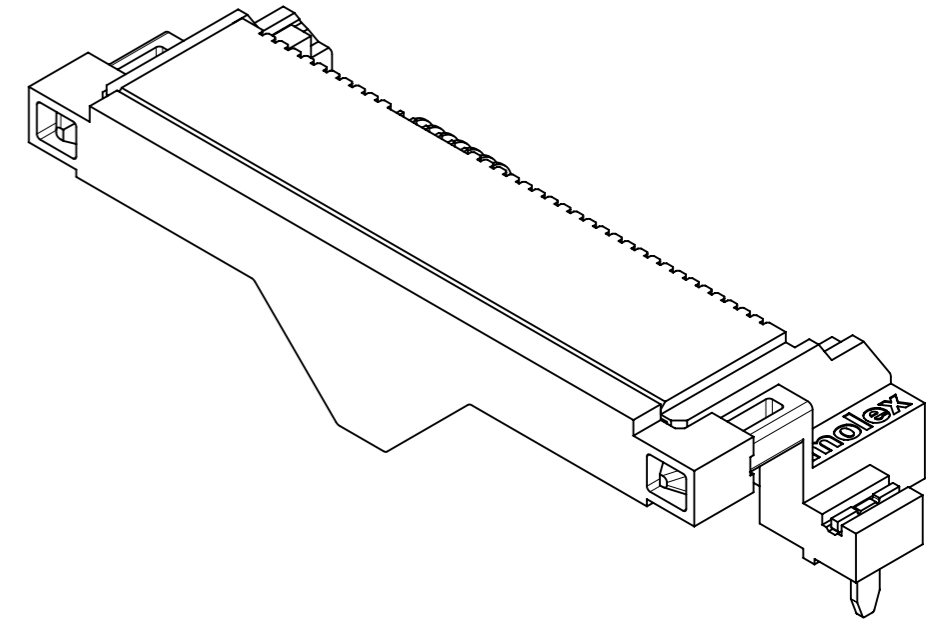
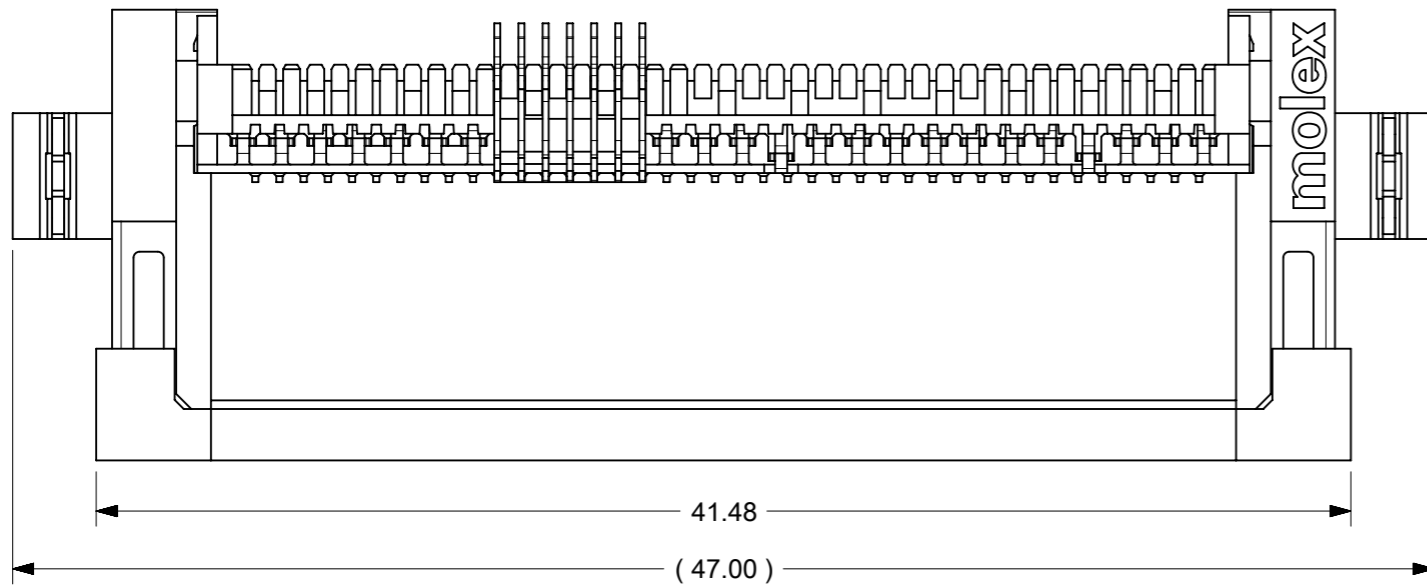


FRONT AND SIDE VIEW OF TYPE C (FITTING NAIL)



THIS DRAWING CONTAINS INFORMATION THAT IS PROPRIETARY TO MOLEX ELECTRONIC TECHNOLOGIES, LLC AND SHOULD NOT BE USED WITHOUT WRITTEN PERMISSION		CURRENT REV DESC: MIGRATED		molex			
DIMENSION UNITS	SCALE						
mm	NTS			12G SAS RECEPTACLE R/A, SMT, 7.07MM HEIGHT			
GENERAL TOLERANCES (UNLESS SPECIFIED)							
ANGULAR TOL	± 3.0°	EC NO:	636399	PRODUCT CUSTOMER DRAWING			
4 PLACES	±	DRWN:	ME 2019/05/23				
3 PLACES	±	CHK'D:	JAKEEMEW 2020/04/23				
2 PLACES	± 0.2	APPR:	SHLENI 2020/05/03	DOCUMENT NUMBER: SD-78717-001 DOC TYPE: PSD DOC PART: 001 REVISION: A			
1 PLACE	±	INITIAL REVISION:					
0 PLACES	±	DRWN:	JAKEEMEW 2014/01/09				
DRAFT WHERE APPLICABLE MUST REMAIN WITHIN DIMENSIONS		THIRD ANGLE PROJECTION	DRAWING	SERIES	MATERIAL NUMBER	CUSTOMER	SHEET NUMBER
			A3-SIZE	78717	SEE TABLE	GENERAL MARKET	3 OF 7

CONNECTOR OUTLINE WITH CAP

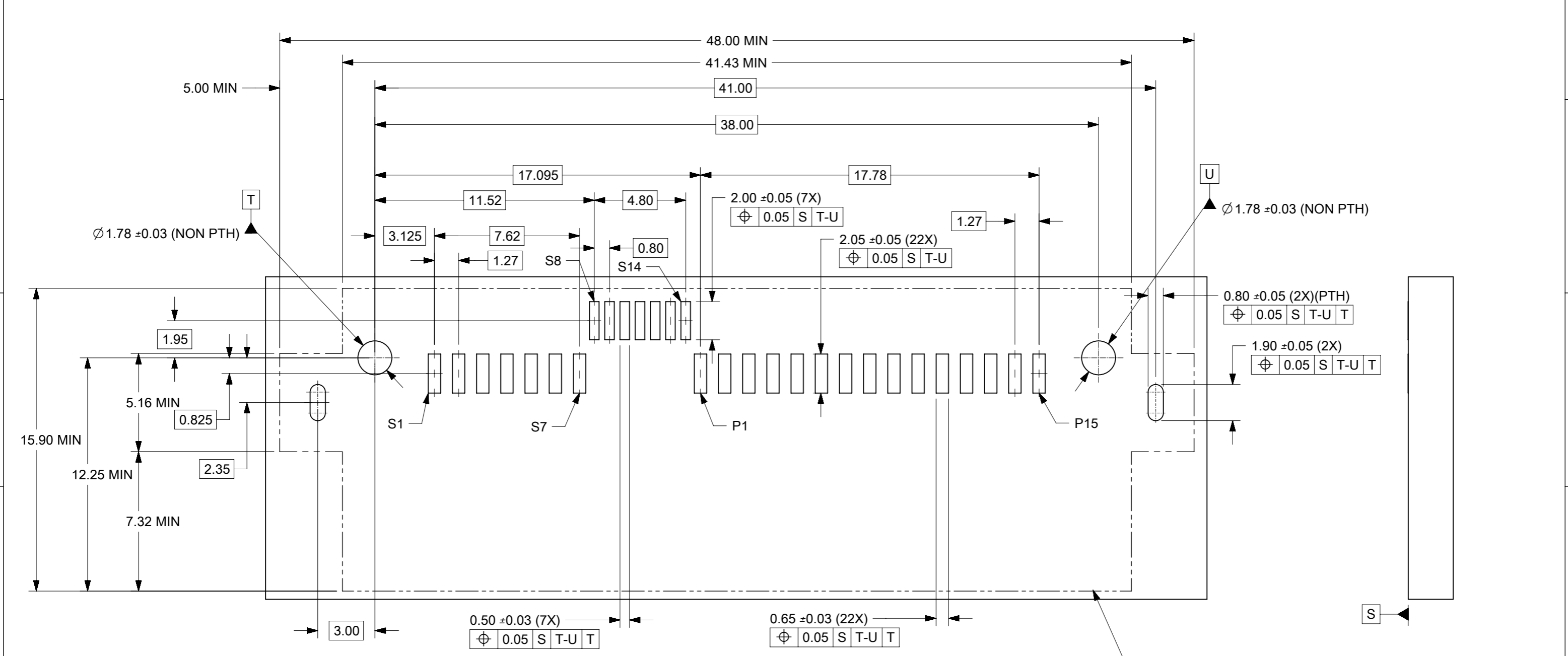


NOTES:

- 1. ALLOW A GAP OF 4.00MM IN FRONT OF THE CONNECTOR FOR CAP REMOVAL
- 2. CAP CAVITY NUMBER (NUMERIC VALUE)

THIS DRAWING CONTAINS INFORMATION THAT IS PROPRIETARY TO MOLEX ELECTRONIC TECHNOLOGIES, LLC AND SHOULD NOT BE USED WITHOUT WRITTEN PERMISSION									
DIMENSION UNITS		SCALE		CURRENT REV DESC: MIGRATED				molex	
mm		NTS							
GENERAL TOLERANCES (UNLESS SPECIFIED)				12G SAS RECEPTACLE R/A, SMT, 7.07MM HEIGHT					
ANGULAR TOL ± 3.0°				PRODUCT CUSTOMER DRAWING					
4 PLACES ±				EC NO: 636399		2019/05/23		DOCUMENT NUMBER	
3 PLACES ±				DRWN: ME		2020/04/23		SD-78717-001	
2 PLACES ± 0.2				CHK'D: JAKEEMEW		2020/05/03		DOC TYPE DOC PART REVISION	
1 PLACE ±				APPR: SHLENI		2020/05/03		PSD 001 A	
0 PLACES ±				INITIAL REVISION:		2014/01/09		MATERIAL NUMBER	
DRAFT WHERE APPLICABLE MUST REMAIN WITHIN DIMENSIONS				DRWN: JAKEEMEW		2014/12/01		CUSTOMER	
				APPR: JAKEEMEW				SHEET NUMBER	
				THIRD ANGLE PROJECTION		DRAWING		SERIES	
				A3-SIZE		78717		SEE TABLE	
				GENERAL MARKET		4 OF 7			

RECOMMENDED PCB LAYOUT - TYPE 1 (FOR PCB HOLD-DOWN TYPE A & B)

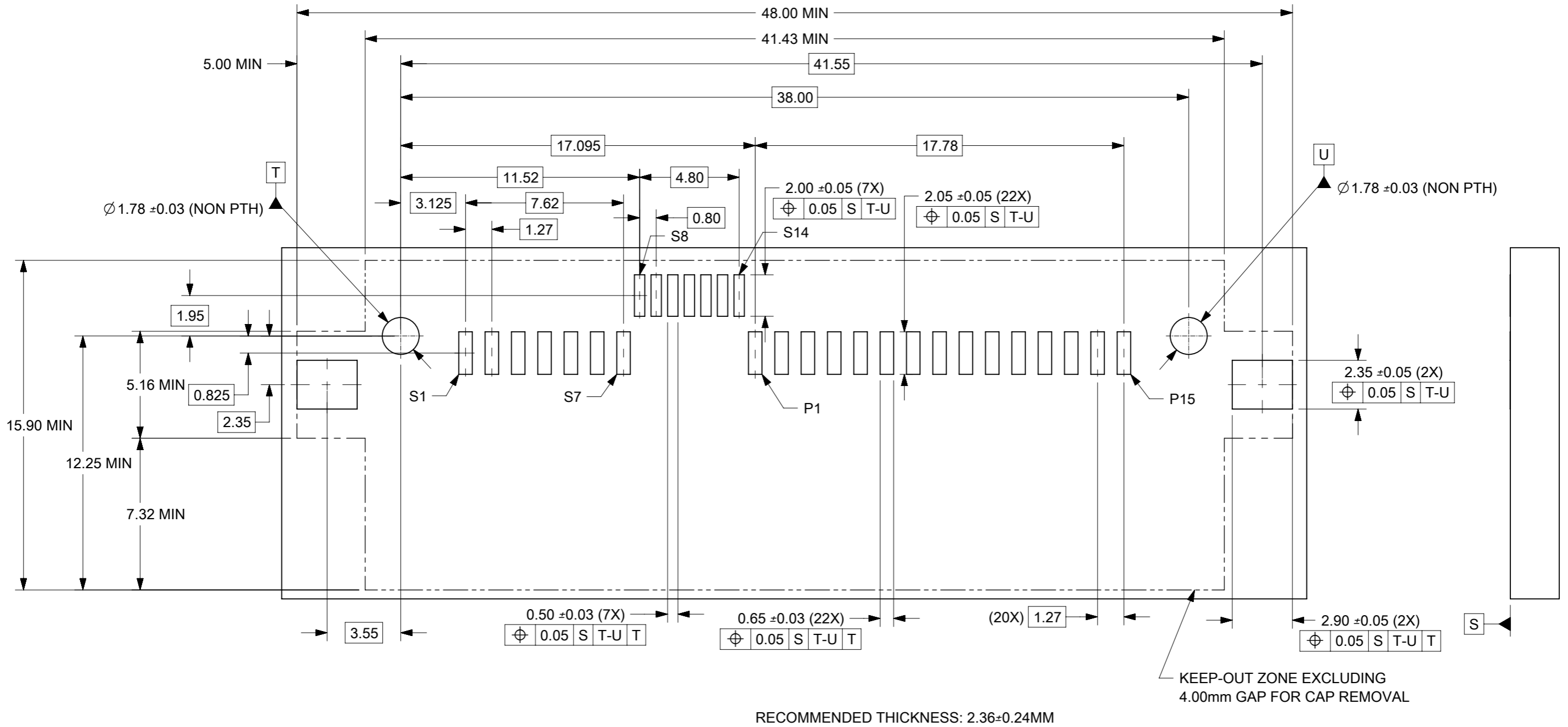


RECOMMENDED THICKNESS: 2.36±0.24MM

KEEP-OUT ZONE EXCLUDING 4.00mm GAP FOR CAP REMOVAL

THIS DRAWING CONTAINS INFORMATION THAT IS PROPRIETARY TO MOLEX ELECTRONIC TECHNOLOGIES, LLC AND SHOULD NOT BE USED WITHOUT WRITTEN PERMISSION		CURRENT REV DESC: MIGRATED		molex	
DIMENSION UNITS	SCALE				
mm	NTS			12G SAS RECEPTACLE R/A, SMT, 7.07MM HEIGHT	
GENERAL TOLERANCES (UNLESS SPECIFIED)				PRODUCT CUSTOMER DRAWING	
ANGULAR TOL	± 3.0 °	EC NO:	636399		
4 PLACES	±	DRWN:	ME	2019/05/23	
3 PLACES	±	CHK'D:	JAKEEMEW	2020/04/23	
2 PLACES	± 0.2	APPR:	SHLENI	2020/05/03	
1 PLACE	±	INITIAL REVISION:			
0 PLACES	±	DRWN:	JAKEEMEW	2014/01/09	
DRAFT WHERE APPLICABLE MUST REMAIN WITHIN DIMENSIONS		THIRD ANGLE PROJECTION	DRAWING	SERIES	MATERIAL NUMBER
			A3-SIZE	78717	SEE TABLE
		CUSTOMER	GENERAL MARKET		SHEET NUMBER
				5 OF 7	

RECOMMENDED PCB LAYOUT - TYPE 2 (FOR PCB HOLD-DOWN TYPE C)



THIS DRAWING CONTAINS INFORMATION THAT IS PROPRIETARY TO MOLEX ELECTRONIC TECHNOLOGIES, LLC AND SHOULD NOT BE USED WITHOUT WRITTEN PERMISSION		CURRENT REV DESC: MIGRATED		molex	
DIMENSION UNITS	SCALE				
mm	NTS			12G SAS RECEPTACLE R/A, SMT, 7.07MM HEIGHT	
GENERAL TOLERANCES (UNLESS SPECIFIED)		EC NO: 636399		PRODUCT CUSTOMER DRAWING	
ANGULAR TOL	± 3.0°	DRWN: ME	2019/05/23	DOCUMENT NUMBER	
4 PLACES	±	CHK'D: JAKEEMEW	2020/04/23	SD-78717-001	
3 PLACES	±	APPR: SHLENI	2020/05/03	DOC TYPE	DOC PART
2 PLACES	± 0.2	INITIAL REVISION:		PSD	001
1 PLACE	±	DRWN: JAKEEMEW	2014/01/09	REVISION	
0 PLACES	±	APPR: JAKEEMEW	2014/12/01	A	
DRAFT WHERE APPLICABLE MUST REMAIN WITHIN DIMENSIONS		THIRD ANGLE PROJECTION	DRAWING	SERIES	MATERIAL NUMBER
			A3-SIZE	78717	CUSTOMER
					GENERAL MARKET
					SHEET NUMBER
					6 OF 7

PRODUCT NUMBER	PLATING	HOLD-DOWN	RECOMMENDED PCB LAYOUT
78717-0001	SEE NOTE 2	TYPE A	TYPE 1
78717-0002		TYPE B	
78717-0003		TYPE C	TYPE 2

THIS DRAWING CONTAINS INFORMATION THAT IS PROPRIETARY TO MOLEX ELECTRONIC TECHNOLOGIES, LLC AND SHOULD NOT BE USED WITHOUT WRITTEN PERMISSION									
DIMENSION UNITS	SCALE	CURRENT REV DESC: MIGRATED				molex			
mm	NTS								
GENERAL TOLERANCES (UNLESS SPECIFIED)		EC NO: 636399				12G SAS RECEPTACLE			
ANGULAR TOL ± 3.0 °		DRWN: ME 2019/05/23				R/A, SMT, 7.07MM HEIGHT			
4 PLACES ±		CHK'D: JAKEEMEW 2020/04/23				PRODUCT CUSTOMER DRAWING			
3 PLACES ±		APPR: SHLENI 2020/05/03							
2 PLACES ± 0.2		INITIAL REVISION:				DOCUMENT NUMBER			
1 PLACE ±		DRWN: JAKEEMEW 2014/01/09				SD-78717-001			
0 PLACES ±		APPR: JAKEEMEW 2014/12/01				PSD 001 A			
DRAFT WHERE APPLICABLE MUST REMAIN WITHIN DIMENSIONS		THIRD ANGLE PROJECTION	DRAWING	SERIES	MATERIAL NUMBER	CUSTOMER	SHEET NUMBER		
			A3-SIZE	78717	SEE TABLE	GENERAL MARKET	7 OF 7		

DOCUMENT STATUS	P1	RELEASE DATE	2020/05/03	00:10:47
-----------------	----	--------------	------------	----------