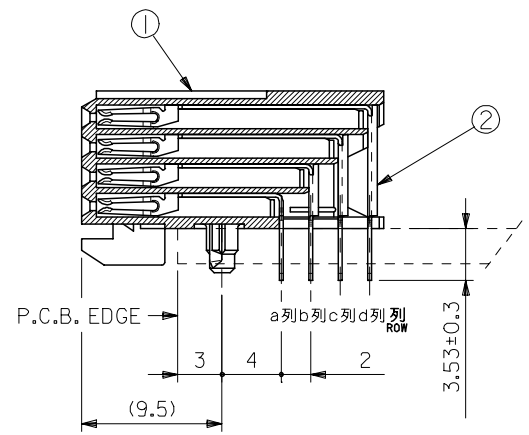
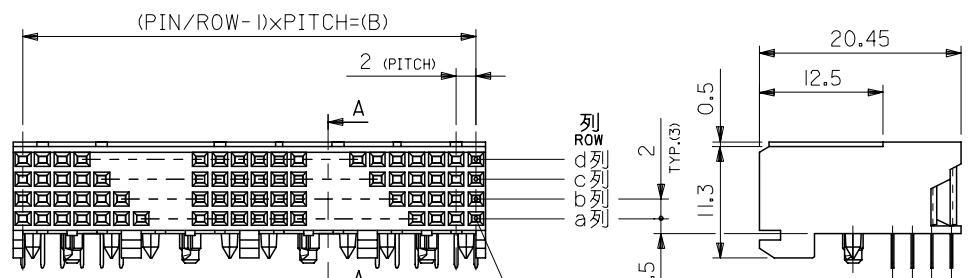
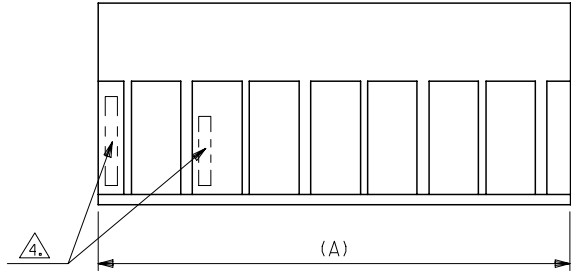


10 9 8 7 6 5 4 3 2 1

番号 No.	部品 PART NAME	材質 MATERIAL	仕上げ FINISH
①	リセプタクル ハウジング RECEPTACLE HOUSING	液晶ポリマー、ガラス充填、自然色(白)、UL 94V-0 LIQUID CRYSTAL POLYMER, GLASS FILLED, NATURAL(WHITE), UL 94V-0	—#—
②	リセプタクル ターミナル RECEPTACLE TERMINAL	リン青銅 PHOSPHOR BRONZE	△

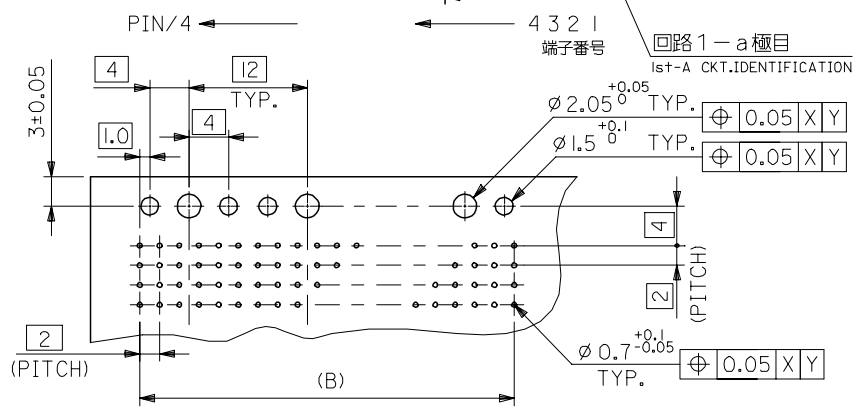


A-A
(NON-SCALE)

注記
NOTE :

- △ ターミナル めっき仕様
TERMINAL PLATING
金めっき: 0.38 μm MIN. (接点部)
GOLD: 0.38 μm MIN. (CONTACT AREA)
TIN: 1.0~2.5 μm. (半田付け部)
TIN: 1.0~2.5 μm. (SOLDER AREA)
ニッケルメッキ: 2.0 μm MIN. (下地めっき)
NICKEL: 2.0 μm MIN. (UNDER PLATING)
- 2. 推奨基板厚: t=2.4mm
RECOMMENDED P.C.B. THICKNESS: t=2.4mm
- 3. 適合プラグ: 53901-****4, 55222-****4, 55089-****4
APPLICABLE PLUG:
- △ 製品番号及びロットナンバー
MATERIAL NO. & LOT NO.

106	107.98	54867-2168	216
94	95.98	54867-1928	192
46	47.98	54867-0968	96
10	11.98	54867-0248	24
B	A	MATERIAL NO.	PIN



基板穴推奨寸法 (部品実装)

RECOMMENDED P.C.B. LAYOUT (COMPONENT SIDE)

MODIFICATION	DESCRIPTION
EC NO: S5420000175	
DRWN: YANG05	2007/04/10
CHKD: S4200730	2007/04/09
APPR: INCHEN	2007/04/18

QUALITY SYMBOLS	DESCRIPTION
▽=0	
△=0	

GENERAL TOLERANCES (UNLESS SPECIFIED)	
mm	INCH
4 PLACES ±---	±---
3 PLACES ±---	±---
2 PLACES ±---	±---
1 PLACE ±---	±---
ANGULAR ± 3°	

DIMENSION STYLE	
MM ONLY	
DRAWN BY	DATE
FWANG	04/09/26
CHECKED BY	DATE
GMA	04/09/27
APPROVED BY	DATE
VINCENT	04/09/26
MATERIAL NO.	

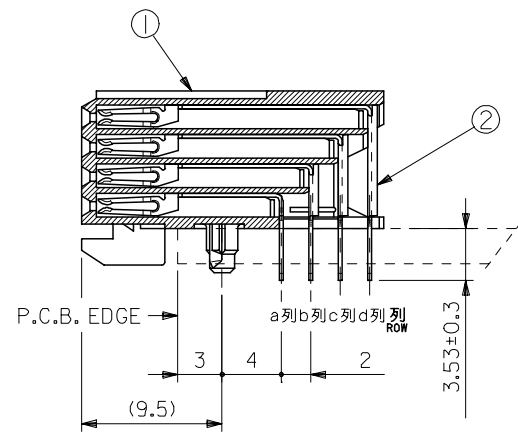
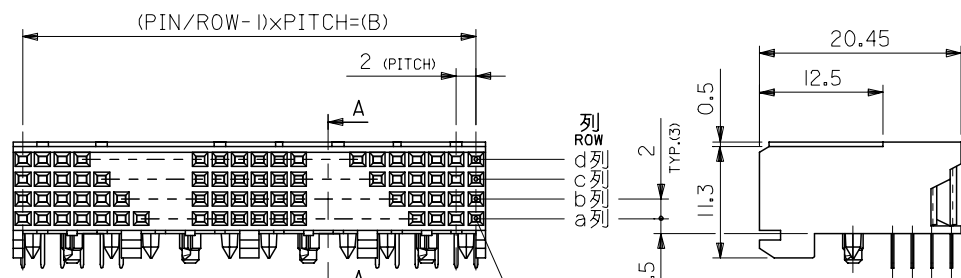
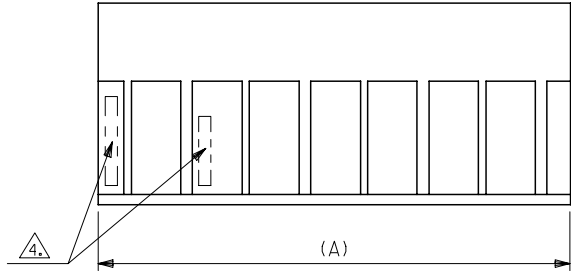
SCALE	DESIGN UNITS	THIRD ANGLE PROJECTION	
MM ONLY	METRIC	◎	□
MFB B/B CONN 4ROW REC. ASS'Y DIP TYPE (LEAD FREE)			
MOLEX INCORPORATED			
DOCUMENT NO.	SHEET NO.		
SD-54867-006	1 OF 1		

DRAFT WHERE APPLICABLE
MUST REMAIN
WITHIN DIMENSIONS

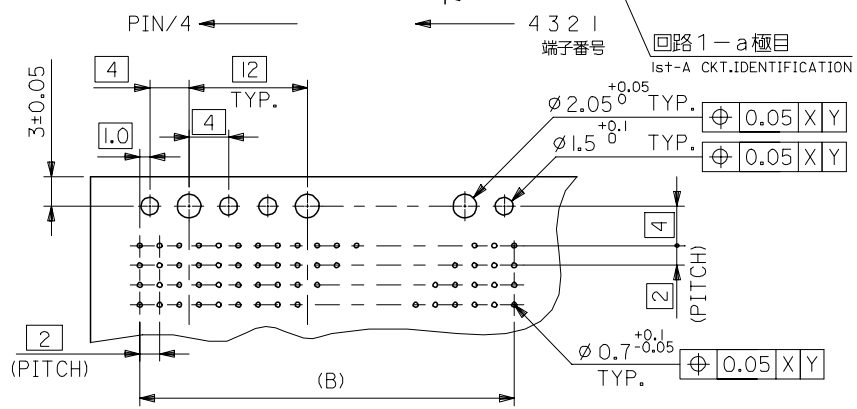
SIZE A3
THIS DRAWING CONTAINS INFORMATION THAT IS PROPRIETARY TO MOLEX INCORPORATED AND SHOULD NOT BE USED WITHOUT WRITTEN PERMISSION

9 8 7 6 5 4 3 2 1

番号 No.	部品 PART NAME	材質 MATERIAL	仕上げ FINISH
①	リセプタクル ハウジング RECEPTACLE HOUSING	液晶ポリマー、ガラス充填、自然色(白)、UL 94V-0 LIQUID CRYSTAL POLYMER, GLASS FILLED, NATURAL(WHITE), UL 94V-0	—#—
②	リセプタクル ターミナル RECEPTACLE TERMINAL	リン青銅 PHOSPHOR BRONZE	△



A-A
(NON-SCALE)



基板穴推奨寸法 (部品実装)

RECOMMENDED P.C.B.LAYOUT (COMPONENT SIDE)

注記
NOTE :

- △ ターミナル めっき仕様
TERMINAL PLATING
金めっき: 0.38 μm MIN. (接点部)
GOLD: 0.38 μm MIN. (CONTACT AREA)
TIN: 1.0~2.5 μm. (半田付け部)
TIN: 1.0~2.5 μm. (SOLDER AREA)
ニッケルメッキ: 2.0 μm MIN. (下地めっき)
NICKEL: 2.0 μm MIN. (UNDER PLATING)
- 2. 推奨基板厚: t=2.4mm
RECOMMENDED P.C.B. THICKNESS: t=2.4mm
- 3. 適合プラグ: 53901-****4, 55222-****4, 55089-****4
APPLICABLE PLUG:
- △ 製品番号及びロットナンバー
MATERIAL NO. & LOT NO.

106	107.98	54867-2168	216
94	95.98	54867-1928	192
46	47.98	54867-0968	96
10	11.98	54867-0248	24
B	A	MATERIAL NO.	PIN

MODIFICATION	DESCRIPTION	REV
EC NO: S54200075175		
DRWN: YANG05	2007/04/10	
CHKD: S42007304250000409		
APPR: INCHEN	2007/04/18	

QUALITY SYMBOLS	GENERAL TOLERANCES (UNLESS SPECIFIED)	
	mm	INCH
▽=0	4 PLACES ±---	±---
△=0	3 PLACES ±---	±---
	2 PLACES ±---	±---
	1 PLACE ±---	±---
	ANGULAR ± 3°	
	DRAFT WHERE APPLICABLE MUST REMAIN WITHIN DIMENSIONS	

DIMENSION STYLE		SCALE	DESIGN UNITS
MM ONLY		MM ONLY	METRIC
DRAWN BY	DATE	TITLE	
HWWANG	04/09/26	MFB B/B CONN 4ROW REC. ASS'Y DIP TYPE (LEAD FREE)	
CHECKED BY	DATE	MOLEX INCORPORATED	
GMA	04/09/27		
APPROVED BY	DATE	DOCUMENT NO.	
VINCENT	04/09/26	SD-54867-006	
MATERIAL NO.	SEE TABLE		SHEET NO.
A3	THIS DRAWING CONTAINS INFORMATION THAT IS PROPRIETARY TO MOLEX INCORPORATED AND SHOULD NOT BE USED WITHOUT WRITTEN PERMISSION		1 OF 1