

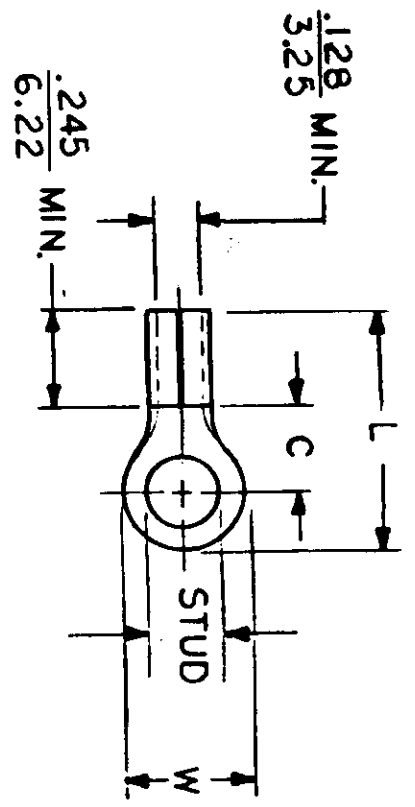
NOTES:

① MAT'L: PURE NICKEL
PLATING: NONE

STUD SIZES: (+.005)

- 02 = .094 209 = .209
- 04 = .119 413 = .413
- 06 = .146
- 08 = .173
- 10 = .198
- 14 = .265
- 56 = .328
- 38 = .390

FILE NO. C-CD-101-04

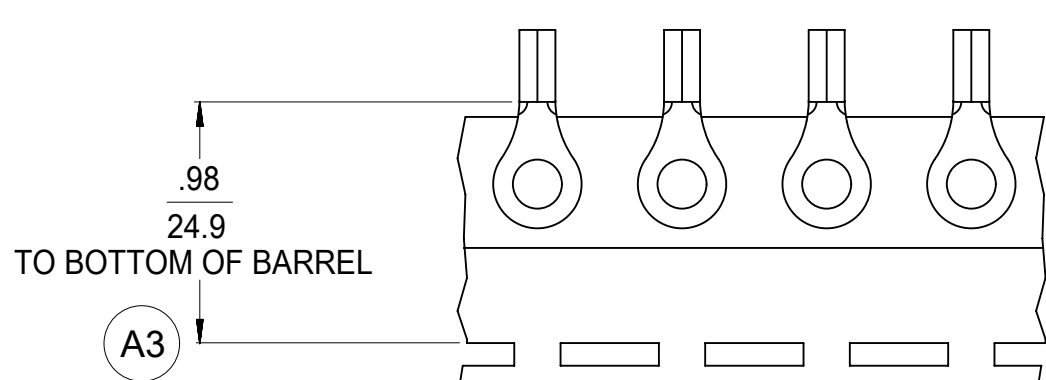
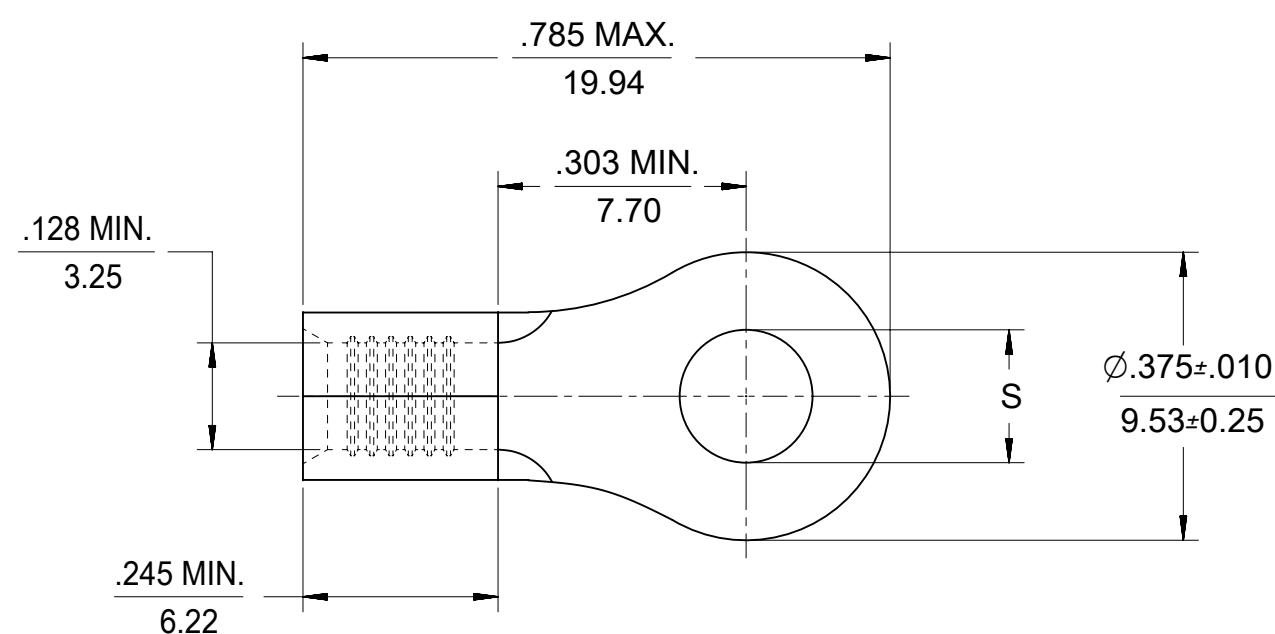


ALL DIMENSIONS = INCHES
M M

WIRE SIZE: 12-10 AWG
40-6.0 MM²

PART NUMBER	"W"	"C" MIN.	"L" MAX.	SCALE:	NTS	DATE	TITLE: TEMP-TERM (1200°)	AVAILABLE STUD SIZES	DWG. NO.						
									FRAC.	DEC.	ANG.	A	CUSTOMER DWG.		
135	7.50 19.05	.611 15.52	1.280 32.51					14, 56, 38, 76, 12							
C-U-128-	.375 9.53	.303 7.70	.785 19.94					04, 06, 08, 10, 209							
C-U-130-	.530 13.46	.393 9.98	.952 24.18					10, 14, 56, 38							
136	.282 7.16	.306 7.77	.741 18.82					04, 06, 08							
C-U-140-	.592 15.04	.468 11.89	1.056 26.82					10, 14, 56, 38, 209, 413							
DIMENSIONAL TOLERANCES UNLESS OTHERWISE SPECIFIED								REFERENCE	SCALE:	NTS	DATE	TITLE: TEMP-TERM (1200°)	AVAILABLE STUD SIZES		
FRAC. DEC. ANG.								DRWN. BY: ELLIF	CHKD. BY:	APPRD. BY:	2-3-87			TERMINAL RING TONGUE	
													KRIMP TITE 100-SERIES		
														EIC mox INCORPORATED	

MAT'L NO. (LOOSE PIECE)	ENG. NO.	MAT'L NO. (TAPE MOUNTED)	ENG. NO.	STUD SIZE	"S" ±.005 (0.13)	STOCK THICKNESS	FINISH
190690200	C-128-04	190690147	C-128-04T	4	.126 (3.20)	COPPER .040 (1.02)	SEE NOTE 1
190690202	C-128-06	-----	-----	6	.146 (3.71)		
190690205	C-128-08	190690208	C-128-08T	8	.173 (4.39)		
190690209	C-128-10	190690212	C-128-10T	10	.198 (5.03)		
190690215	C-128-209	-----	-----	209	.209 (5.18)	NICKEL .038 (0.97)	NONE
192030159	C-U-128-06	-----	-----	6	.146 (3.71)		
192030160	C-U-128-08	-----	-----	8	.173 (4.39)		
192030113	C-U-128-10	192030114	C-U-128-10T	10	.198 (5.03)		
190690682	C-128-10-AU	-----	-----	10	.198 (5.03)	COPPER .040 (1.02)	SEE NOTE 2



- NOTES:
1. FINISH: TIN PLATING, 100(2.5)µin(µm) MIN
 2. FINISH: GOLD, 50(1.25)µin(µm) MIN. OVER NICKEL, 50(1.25)µin(µm) MIN. PLATING.
 3. WIRE SIZE: 12-10 AWG, 4.0-6.0 MM²
 3. PARTS ARE RoHS COMPLIANT.

SYMBOLS		THIS DRAWING CONTAINS INFORMATION THAT IS PROPRIETARY TO MOLEX ELECTRONIC TECHNOLOGIES, LLC AND SHOULD NOT BE USED WITHOUT WRITTEN PERMISSION	
▽ = 0	DIMENSION UNITS	SCALE	CURRENT REV DESC:
▽ = 0	INCH/MM	1:1	
▽ = 0	GENERAL TOLERANCES (UNLESS SPECIFIED)		
▽ = 0		MM	INCH
▽ = 0	4 PLACES ±	±	EC NO: 626861
▽ = 0	3 PLACES ±	±	DRWN: DMYRICK 2019/11/05
▽ = 0	2 PLACES ±	±	CHK'D: JMACNEIL 2019/11/06
▽ = 0	1 PLACE ±	±	APPR: JMACNEIL 2019/11/06
▽ = 0	0 PLACES ±	±	INITIAL REVISION:
▽ = 0	ANGULAR TOL ± °		DRWN:
▽ = 0	DRAFT WHERE APPLICABLE MUST REMAIN WITHIN DIMENSIONS		APPR:
▽ = 0	THIRD ANGLE PROJECTION	DRAWING	SERIES
	⊕	B-SIZE	19069
		MATERIAL NUMBER	CUSTOMER
		SD-19069-020	GENERAL MARKET
		DOCUMENT NUMBER	DOC TYPE DOC PART REVISION
			PSD 001 A3
			SHEET NUMBER
			1 OF 1