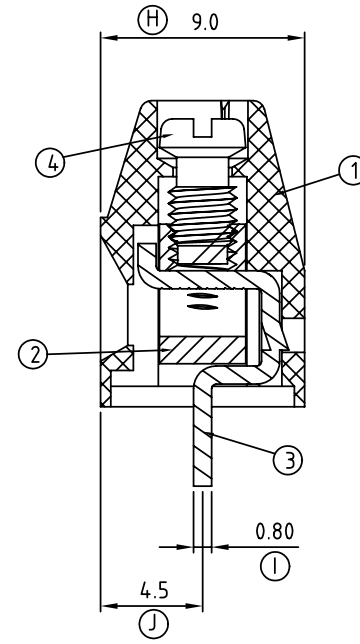
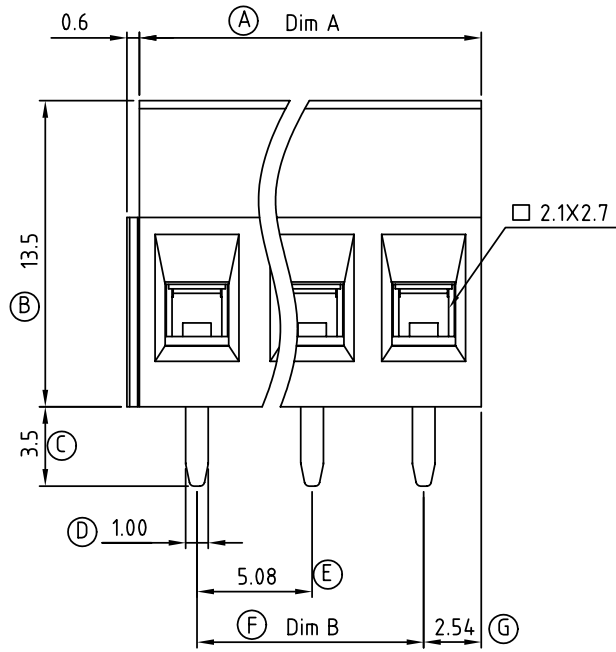


P.C.B LAYOUT



N=Number of contacts

| Poles | 02 | 03 | 04 | 05 | 06 | 07 | 08 | 09 | 10 | 11 | 12 | 13 | |
|-------|-------|-------|-------|-------|-------|-------|--------|--------|--------|--------|--------|-------|--|
| Dim A | | | 20.32 | 25.40 | 30.48 | 35.56 | 40.64 | 45.72 | 50.80 | 55.88 | 60.96 | 66.04 | |
| Dim B | | | 15.24 | 20.32 | 25.40 | 30.48 | 35.56 | 40.64 | 45.72 | 50.80 | 55.88 | 60.96 | |
| TOL | ±0.10 | | | ±0.15 | | | | | | ±0.20 | | | |
| Poles | 14 | 15 | 16 | 17 | 18 | 19 | 20 | 21 | 22 | 23 | 24 | | |
| Dim A | 71.12 | 76.20 | 81.28 | 86.36 | 91.44 | 96.52 | 101.60 | 106.68 | 111.76 | 116.84 | 121.92 | | |
| Dim B | 66.04 | 71.12 | 76.20 | 81.28 | 86.36 | 91.44 | 96.52 | 101.60 | 106.68 | 111.76 | 116.84 | | |
| TOL | ±0.20 | | ±0.25 | | | | | ±0.30 | | | | | |

| SIGN | DATE | DESCRIPTION | APPROVER |
|------|----------|--|----------|
| △ | 09/16/09 | Poles is changed from 2p-24p to 4p-24p | Aaron |
| △ | 09/16/09 | Drawing NO. is changed from 8VI0137 to 8VI0302 | Aaron |
| △ | | | |

THIS IS CAD DRAWING, DO NOT REVISE MANUALLY!!!

Material:

- Item 1 Terminal housing: Thermoplastic (UL 94V-0)
- Item 2 Clamp: Brass ,Ni plated
- Item 3 Wire guard solder pin: Brass ,Tin plated
- Item 4 Terminal screw: Steel Zinc plating"-slot type

Electrical cULus

- Voltage rating: 300VAC
- Current rating: 16A
- Wire range:
- Solid wire(AWG): 12-28
- Stranded wire(AWG): 12-28
- Torque: 3.5Lb-In
- Screw: M3
- Wire strip length: 6-7mm
- Withstanding Voltage: 1.6KV
- Operating temperature: -40°C to +115°C
- Soldering temperature: 250°C±10°C/5 Sec
- Safety Approval:

VI xx 21 x 5 xxxx G

| | | | | | |
|------|-------------|---|------------|--------------------------|----------------|
| △ 04 | 4 CONTACTS | 0 | Black | 0000:"@ "Logo (Standard) | Pb < 40,000ppm |
| 05 | 5 CONTACTS | 5 | Green | 000A:"ANYTEK"Logo | (RoHS) |
| ... | ... | 6 | Blue | Any special item by | |
| 24 | 24 CONTACTS | 8 | Light Grey | customer request, | |
| | | | | please contact sales | |
| | | | | department. | |

ANYTEK

CUSTOMER COPY

ALL RIGHTS RESERVED. REPRODUCTION OR ISSUE TO THIRD PARTIES IN ANY FORM WHATSOEVER IS NOT PERMITTED WITHOUT WRITTEN AUTHORITY FROM THE PROPRIETOR. PROPERTY OF ANYTEK TECHNOLOGY CO., LTD

| | | | | | | | |
|----------|---------|--|------------|--------------|--|-----------|-------|
| TITLE | | VI 5.08 SERIES 4P-24P 180° wire inlet (without cover) Horizontal-solid block △ | | | | | |
| PART NO. | | VIxx21x5xxxxG | | DWG NO. | | 8VI0302 △ | |
| APPROVED | CHECKED | DESIGNED | DRAWN | CUST NO. | | Tolerance | |
| | | Aaron | Aaron | | | X. | ±0.50 |
| | | 2009.09.16 | 2009.09.16 | | | X.X | ±0.30 |
| | | | | | | UNIT: | mm |
| | | | | | | SCALE: | NONE |
| | | | | SHEET: 01/01 | | REV.: | C |
| | | | | | | X° | ±1° |