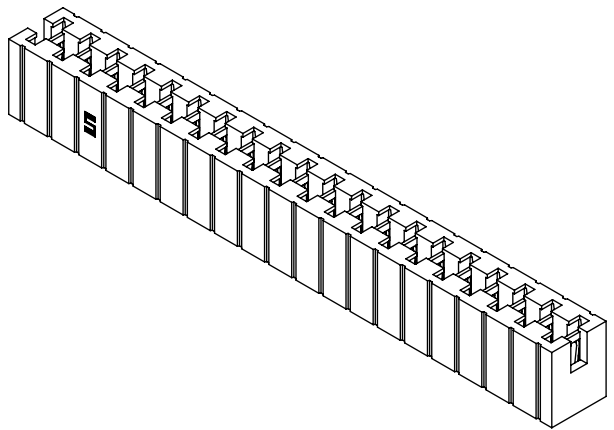


DO NOT SCALE FROM THIS PRINT

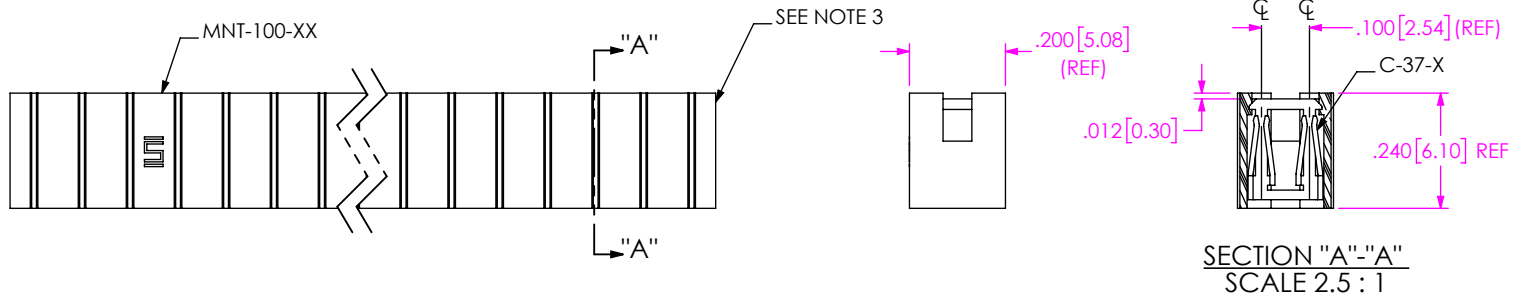
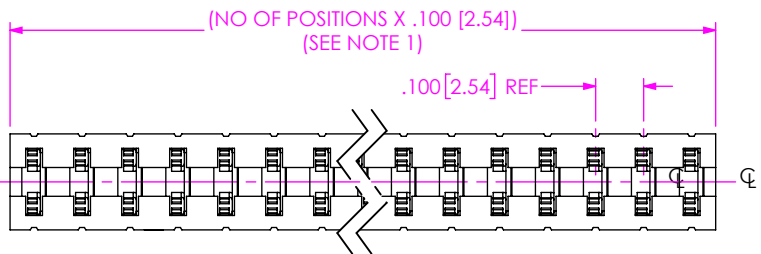


MNT-1XX-XX-X

No OF POSITION  
-01 THRU -20

LEAD STYLE  
SPECIFY COLOR IN BODY SUFFIX -XX  
BK = BLACK

PLATING SPECIFICATION  
-T: MATTE TIN  
-G: 10µ" GOLD IN CONTACT AREA, MATTE TIN ON REMAINDER  
-H: 30µ" GOLD IN CONTACT AREA, MATTE TIN REMAINDER



- NOTES:
1. MULTI-CUT WIDTH TOLERANCED TO  $\begin{matrix} +.005 [0.13] \\ -.015 [0.38] \end{matrix}$  REPRESENTS A CRITICAL DIMENSION.
  2. ROTO-CUT WIDTH TOLERANCED TO  $\pm .010 [0.25]$ .
  3. MINIMUM RETENTION: 24 oz
  4. ENDWALL AFTER CUTTING  $.0245 \pm .010 [ .622 \pm .25]$
  5.  $.015 [0.38]$  MAXIMUM CUT FLASH. LOOSE CUT FLASH MUST BE REMOVED.

UNLESS OTHERWISE SPECIFIED, DIMENSIONS ARE IN INCHES.

TOLERANCES ARE:

DECIMALS	ANGLES
.XX: $\pm .01 [ .3]$	2°
.XXX: $\pm .005 [ .13]$	
.XXXX: $\pm .0020 [ .051]$	

**PROPRIETARY NOTE**

THIS DOCUMENT CONTAINS CONFIDENTIAL AND PROPRIETARY INFORMATION AND ALL DESIGN, MANUFACTURING, REPRODUCTION, USE, PATENT RIGHTS AND SALES RIGHTS ARE EXPRESSLY RESERVED BY SAMTEC, INC. THIS DOCUMENT SHALL NOT BE DISCLOSED, IN WHOLE OR PART, TO ANY UNAUTHORIZED PERSON OR ENTITY NOR REPRODUCED, TRANSFERRED OR INCORPORATED IN ANY OTHER PROJECT IN ANY MANNER WITHOUT THE EXPRESS WRITTEN CONSENT OF SAMTEC, INC.



520 PARK EAST BLVD, NEW ALBANY, IN 47150  
PHONE: 812-944-6733 FAX: 812-948-5047  
e-Mail info@SAMTEC.com code 53322

DO NOT SCALE DRAWING SHEET SCALE: 3:1

INSULATOR: PBT, UL 94 V-O, COLOR BLACK  
50% REGRIND  
TERMINAL: BeCu, 1/2 HARD, AGE HARDENED

F:\DWG\MISC\MKTG\MNT-1XX-XX-X-MKT.SLDDRW

DESCRIPTION:  
.050 .050 EDGE MOUNT SOCKET STRIP DUAL ROW ASSEMBLY

DWG. NO. MNT-1XX-XX-X

BY: KOLB 2-20-89 SHEET 1 OF 1