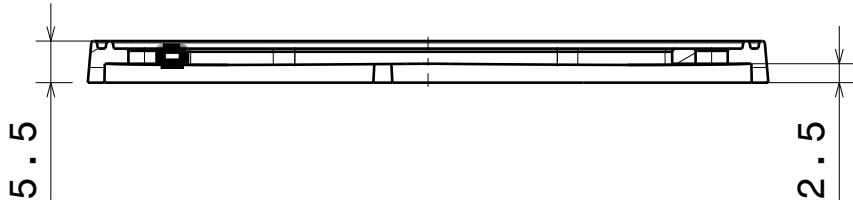


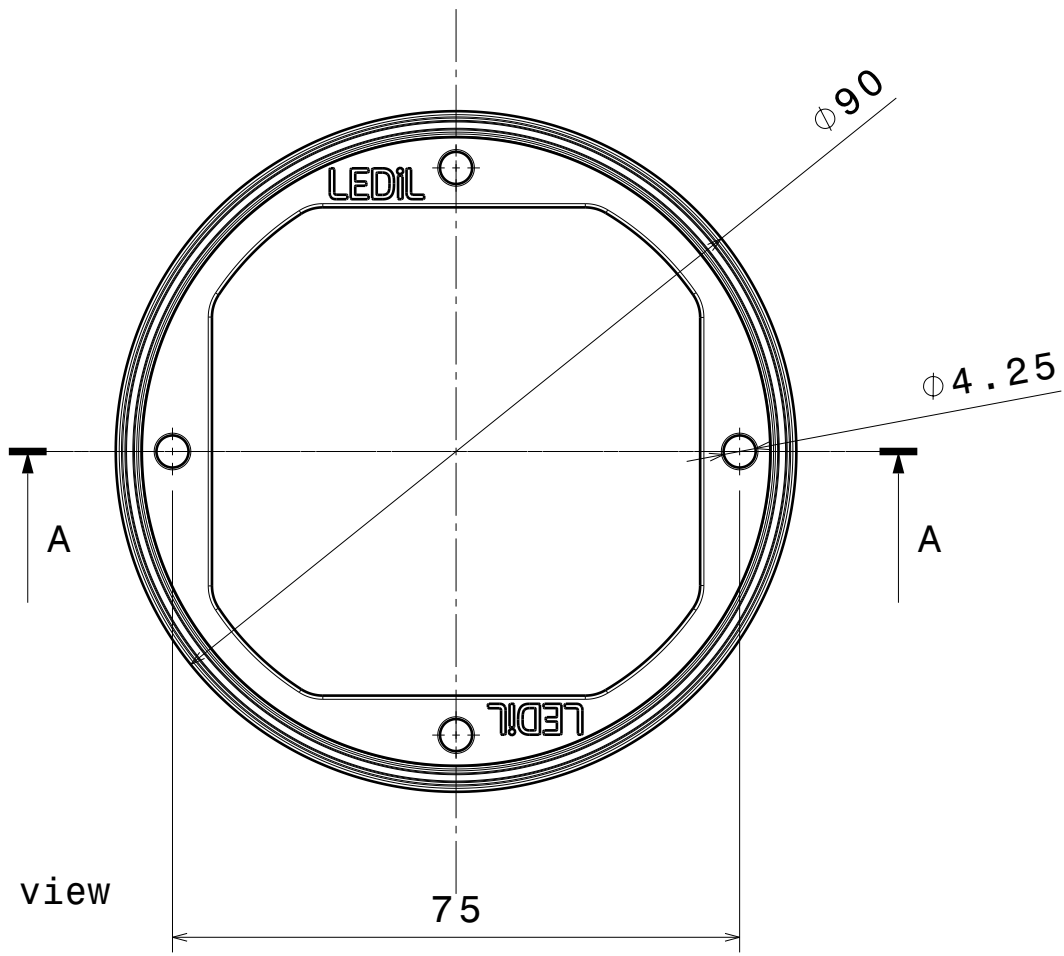
D C B A

4



Section view A-A

3



Top view

2

4

3

2

INDEX	PART NO	DESCRIPTION	MATERIAL	COLOUR
1	F13322	STELLA-FRAME	PA66GF30	black

Tolerances if not otherwise shown
 According to DIN ISO 2768-1
 Linear measures:
 Up to 30mm class M, otherwise class C.
 According to DIN ISO 2768-2
 Form and position: class L

LEDiL LediL Oy
 Salorankatu 10
 FIN 24240 SALO
 Finland

THIRD ANGLE PROJECTION:

DRAWING TITLE
F13322_STELLA-FRAME

This drawing is the property of LEDiL Oy. It may not be reproduced, copied or communicated without a written agreement with LEDiL Oy.

SIZE	PART NUMBER
A4	F13322

SCALE	1:1	WEIGHT	9,18 g	SHEET	1/1
-------	-----	--------	--------	-------	-----

1

1

D

A