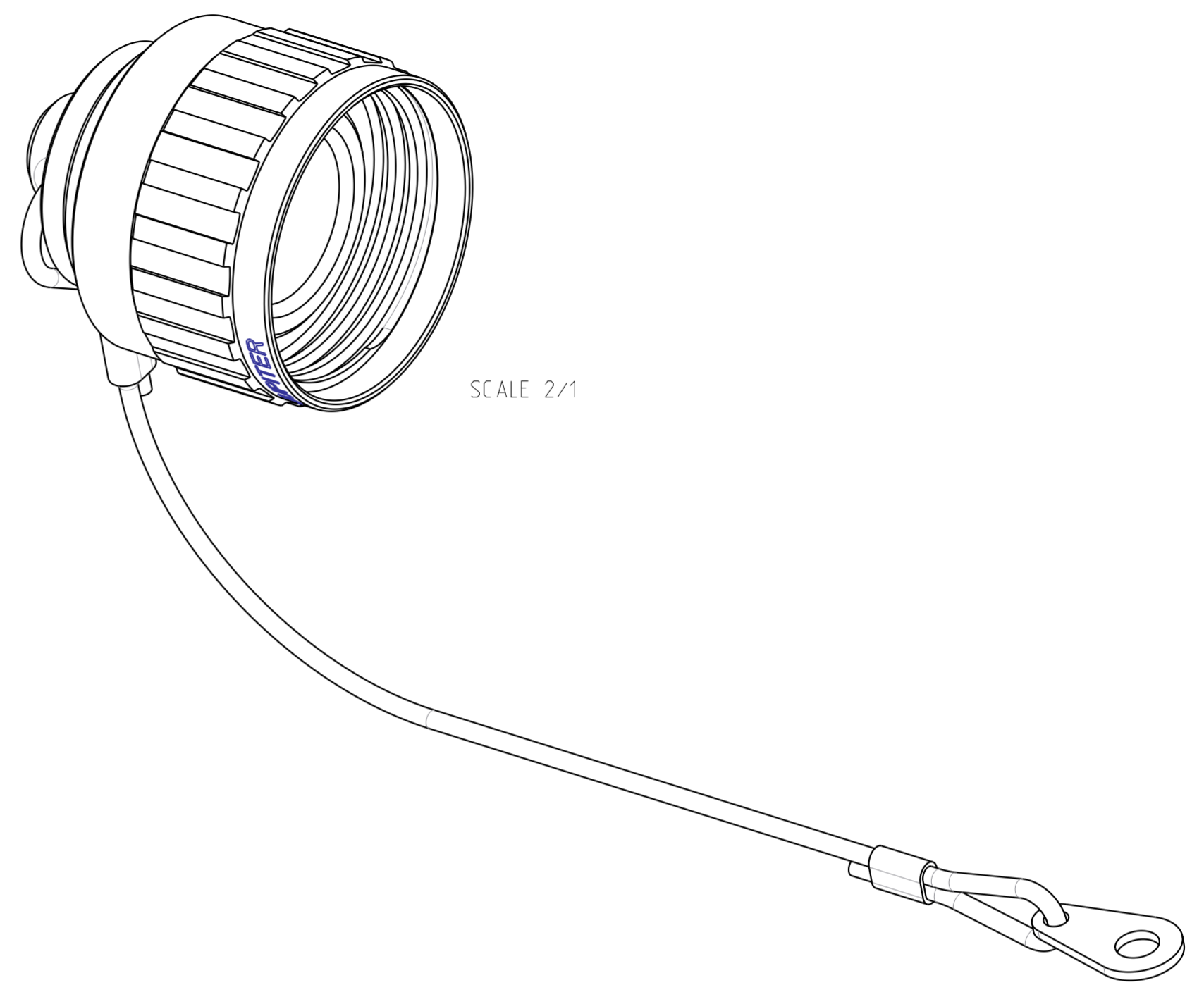
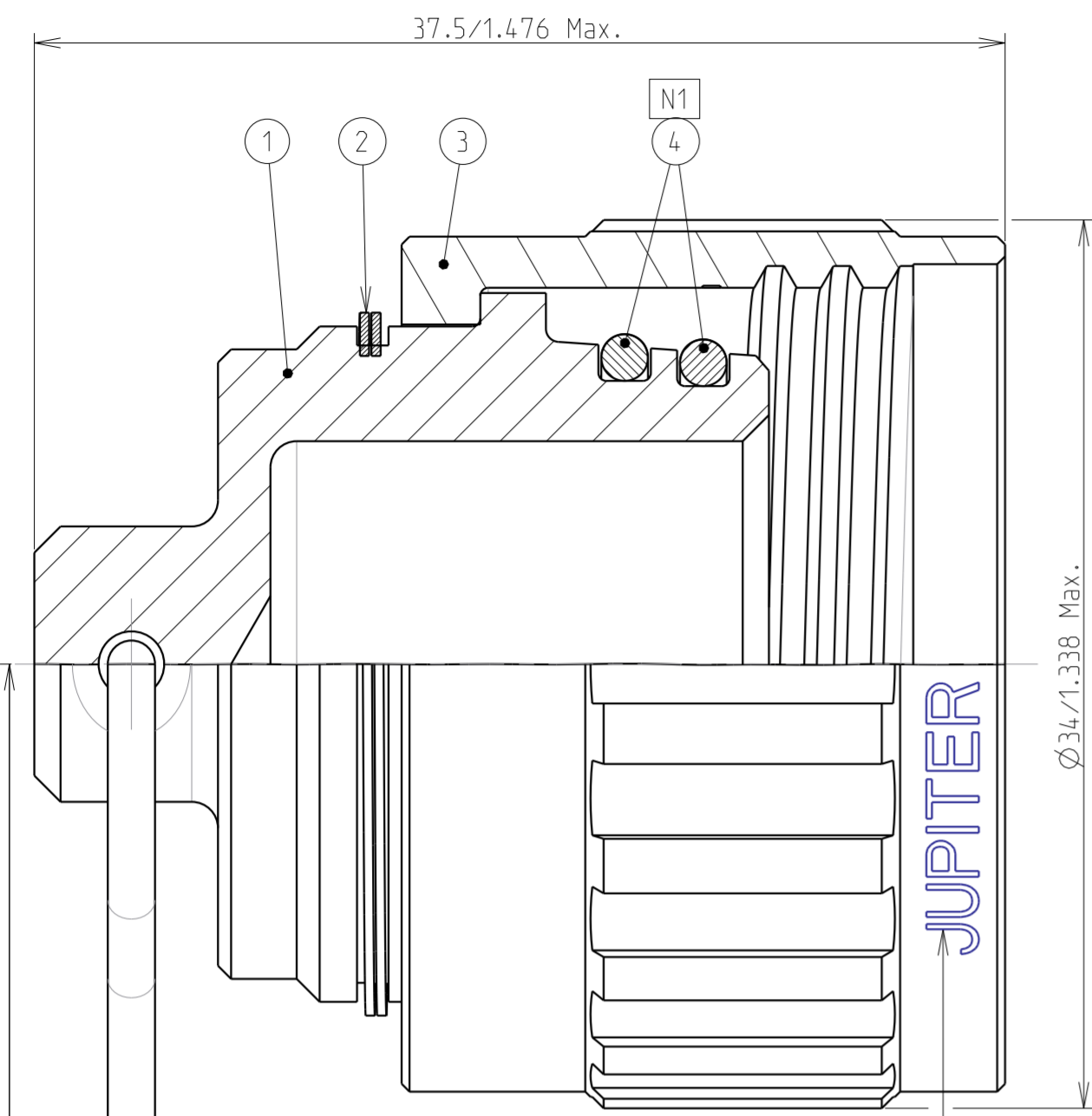


Country	Jurisdiction & Control List
FR	NOT LISTED

	critical dimension
	major dimension

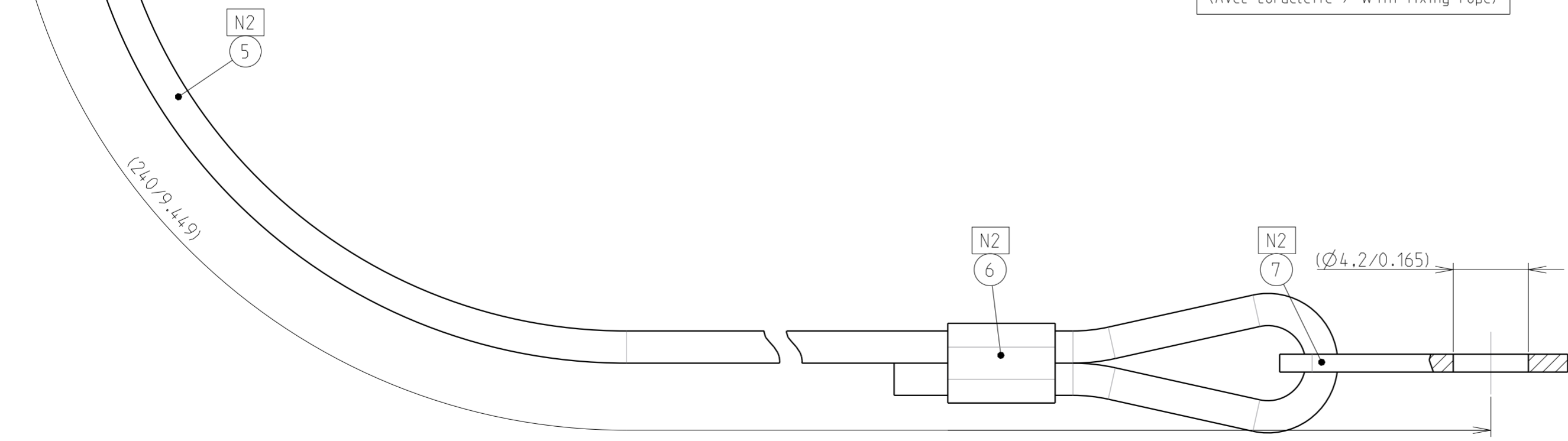


MARQUAGE/MARKING

**** JUPITER FR BER14PLY
 — SEMAINE / WEEK
 — ANNEE / YEAR

REFERENCE COMMERCIALE PART NUMBER
BER14PLY (Sans cordelette / Without fixing rope)
BERC 14PLY (Avec cordelette / With fixing rope)

7	COSSE DE FIXATION / FIXING RING
6	MANCHON / SLEEVE
5	CORDELETTE / FIXING ROPE
4	JOINT TORIQUE ACCOUPLEMENT / O'RING COUPLING
3	DOUILLE D'ACCOUPLEMENT / COUPLING RING
2	CIRCLIPS / RETAINING CLIP
1	BOUCHON D'EMBASE / RECEPTACLE CAP
REP	DESIGNATION



- N1** : MONTAGE AVEC GRAISSE
MOUNTING WITH GREASE
- N2** : UNIQUEMENT POUR LA REFERENCE BER14PLY
ONLY FOR PART NUMBER BER14PLY

A	20/09/16	Initial Drawing	ORAIN	MEFFRE	DIFF
Iss	Date	MODIFICATIONS	Designed by	Checked by	MOD N°
MATERIAL		TREATMENT	PROTECTION/PLATING		
---		---	---		
---		---	CODE		
DIMENSIONS ARE DEFINED BEFORE PLATING					
TITLE					PROJECT
BOUCHON D'EMBASE (BER) / RECEPTACLE CAP (BER)					PL54
SERIE PL - TAILLE 14					
Material Reference Voir Référence Commerciale / See Part Number					
Generales tolerances ISO 2768		 SOURIAU 3. RUE DU VALLON ZAC N°2 94440 MAROLLES-EN-BRIE (FRANCE) TEL. 33 (0)1 45 10 78 00			
Scale 4/1	General machining Surface texture				
Geometrical Tolerances: NF EN ISO 1101		FORMAT	SOURIAU DRG N°	Iss	SHEET
This document is the property of SOURIAU it must not be reproduced or communicated without permission.		A2	543B0030B9C	A	1/1