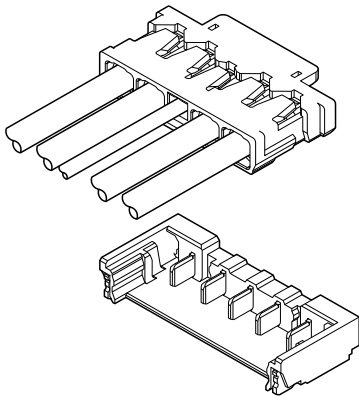


AUH CONNECTOR

Disconnectable Crimp style connectors



This AUH connector is compact and low profile type, height 1.85 mm and width 5.2 mm, wire-to-board connector. And also 5 A in rating current was realized.

- Space saving
- Top entry but side feed type
- Combination of power supply and signal circuits
 - 3 circuits;
 - Power supply 2 circuits + Signal single circuit
 - 5 circuits;
 - Power supply 4 circuits + Signal single circuit
 - Connector for DC power supply (5 A)

Specifications

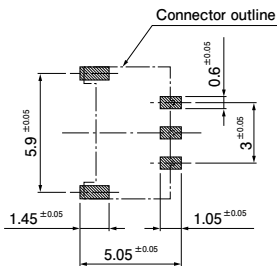
- Current rating: Signal circuit/ 1 A AC, DC
Power supply circuit/ 5 A AC, DC (AWG #22)
- Voltage rating: 30V AC, DC
- Temperature range: -25°C to +85°C
(including temperature rise in applying electrical current)
- Contact resistance: Initial value/ 10 mΩ max.
After environmental tests/ 20 mΩ max.
- Insulation resistance: 100 MΩ min.
- Withstanding voltage: 200 VAC/ minute
- Applicable wire:
 - Signal circuit; Conductor size/ AWG #30 to #28
Insulation O.D./ 0.5 to 0.63 mm
 - Power supply circuit; Conductor size/AWG #26 to #22
AWG #22; Recommend UL3619 made by
Hitachi Cable, Led./Furukawa Electric Co., Ltd.
Insulation O.D./ 0.98 to 1.16 mm

- * Refer to (General Instruction and Notice when using Terminals and Connectors) at the end of this catalog.
- * Contact JST for details.
- * Compliant with RoHS.

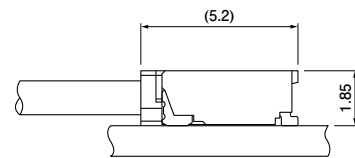
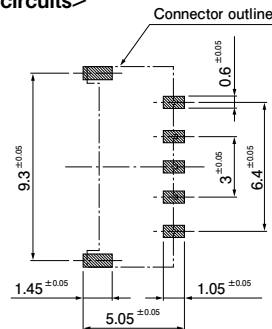
Standards

Recognized E60389

<3 circuits>



<5 circuits>

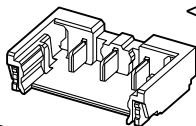


Note: 1. The above figure is the figure viewed from the connector mounting side.

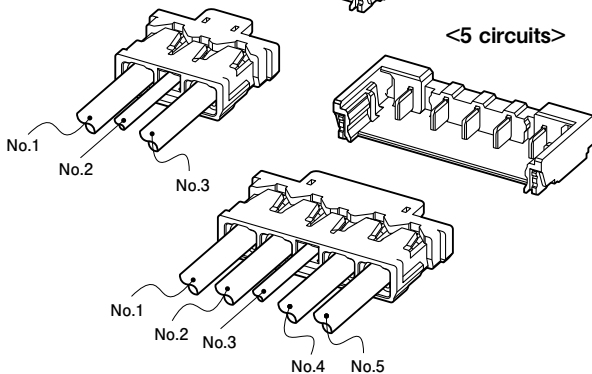
2. Tolerances are non-cumulative: ± 0.05mm for all centers. The dimensions above should serve as a guideline. Contact JST for details.

Table of current rating combinations

<3 circuits>



<5 circuits>



Current unit: A

No. of circuits	Power supply contact Wire to be used	Circuits No.		
		No.1	No.2	No.3
3	AWG#22	5	1	5
	AWG#24	4	1	4
	AWG#26	3.5	1	3.5

■ : Signal contact AWG#30 to #28

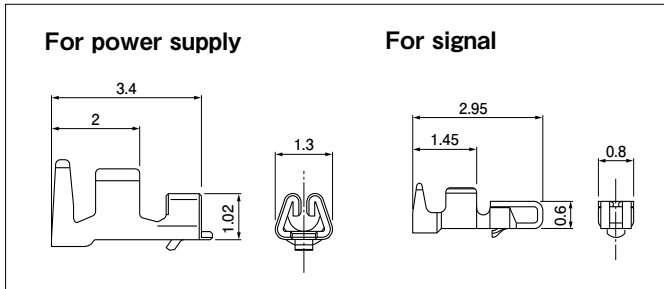
Current unit: A

No. of circuits	Power supply contact Wire to be used	Circuits No.				
		No.1	No.2	No.3	No.4	No.5
5	AWG#22	5	1	1	1	5
		4	4	1	4	4
	AWG#24	4	1	1	1	4
		3.5	3.5	1	3.5	3.5
	AWG#26	3.5	1	1	1	3.5
		3	3	1	3	3

■ : Signal contact AWG#30 to #28

AUH CONNECTOR

Contact



	Model No.	Applicable wire		Insulation O.D. (mm)	Q'ty / reel
		mm ²	AWG #		
Power supply	SAUH-001G-M0.2	0.13 to 0.33	26 to 22	0.98 to 1.16	18,000
Signal	SACH-003G-P0.2	0.05 to 0.08	30 to 28	0.5 to 0.63	30,000

Material and Finish

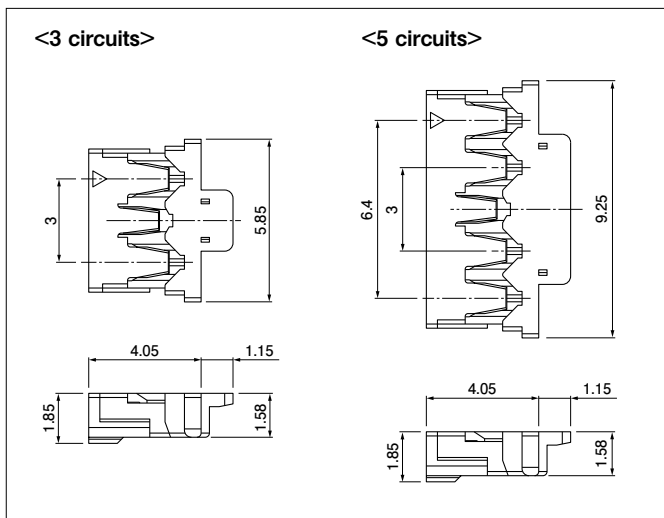
Copper alloy, nickel-undercoated, selective gold-plated

RoHS compliance

Model No.	Crimping machine	Applicable wire		Insulation O.D. (mm)	Applicator		
		mm ²	AWG#		Crimp applicator	Dies	Crimp applicator with dies
SAUH-001G-M0.2	AP-K2N	0.13 to 0.21	26 to 24	0.98 to 1.11	MKS-L-10	MK/SAUH-001-02	APLMK SAUH001-02
		0.33	22	0.98 to 1.16	—	—	—
SACH-003G-P0.2	—	0.05 to 0.08	30 to 28	0.5 to 0.63	MKS-L-10	MK/SAUH-001-02-K	APLMK SAUH001-02-K
					—	—	—
—	—	—	—	—	MKS-L-10-3	MK/SACH-003-02	APLMK SACH003-02
—	—	—	—	—	—	—	—

Note: Contact JST for fully automatic crimping applicator.

Housing



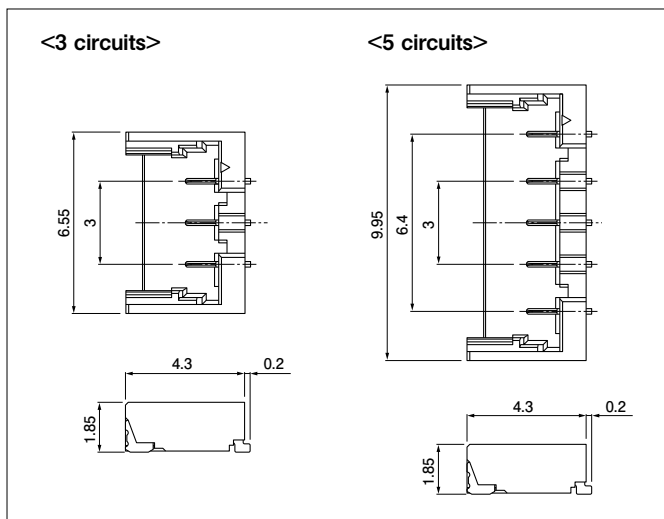
No. of circuits	Model No.	Q'ty / box
3	AUHR-03V-H	1,000
5	AUHR-05V-H	1,000

Material

PBT, UL94V-0, gray

RoHS compliance

Header



No. of circuits	Model No.	Q'ty / reel
3	BM03B-AUHKS-GA-TB	5,000
5	BM05B-AUHKS-GA-TB	5,000

Material and Finish

Contact: Copper alloy, nickel-undercoated, gold-plated (nickel-stripe)

Housing: Heat resisting resin, UL94V-0, black

Reinforcing tab: Copper alloy, copper-undercoated, tin-plated (reflow treatment)

RoHS compliance This product displays (LF)(SN) on a label.

AUH CONNECTOR

Model number allocation

Contact

S AUH - 001 G - M 0.2

Form: S··Strip form

Series name

Applicable wire range: AWG #26 to AWG #22

Surface finish: G··Nickel-undercoated gold-plated

Material: M··Copper alloy

Terminal size

S ACH - 003 G - P 0.2

Form: S··Strip form

Series name

Applicable wire range: AWG #30 to AWG #28

Surface finish: G··Nickel-undercoated gold-plated

Material: P··Copper alloy

Terminal size

Housing

AUH R - 03 V - H

Series name

Part name: Receptacle

No. of circuits: 3, 5

Flammability: V··UL94V-0

Color: H··Gray

Header

BM 03 B - AUH K S - GA - TB

Shape of assembled product:

BM··SMT top entry type

No. of circuits: 3, 5

Part name: Header

Series name

Color: K··Black

Shape of lead: S··SMT

Surface finish: GA··Nickel-undercoated gold-plated

Packaging style: TB··Embossed-taping