



**ANATECH ELECTRONICS INC**  
RF & Microwave Filters & Products

## 2450 MHz Ceramic Band Pass Filter

Part Number: AM2450B189



### Electrical specifications

**Center Frequency:** 2450 MHz  
**Bandwidth:** 100 MHz  
**VSWR:** 2.0 max  
**Input / Output Impedance:** 50 Ohms  
**Passband:** 2400-2500 MHz  
**Passband Insertion Loss:** 2 dB max  
**Passband Ripple:** 1 dB max  
**Rejection:** 40 dB at Fo - 500 MHz  
**Power Handling:** 1 W

### Mechanical

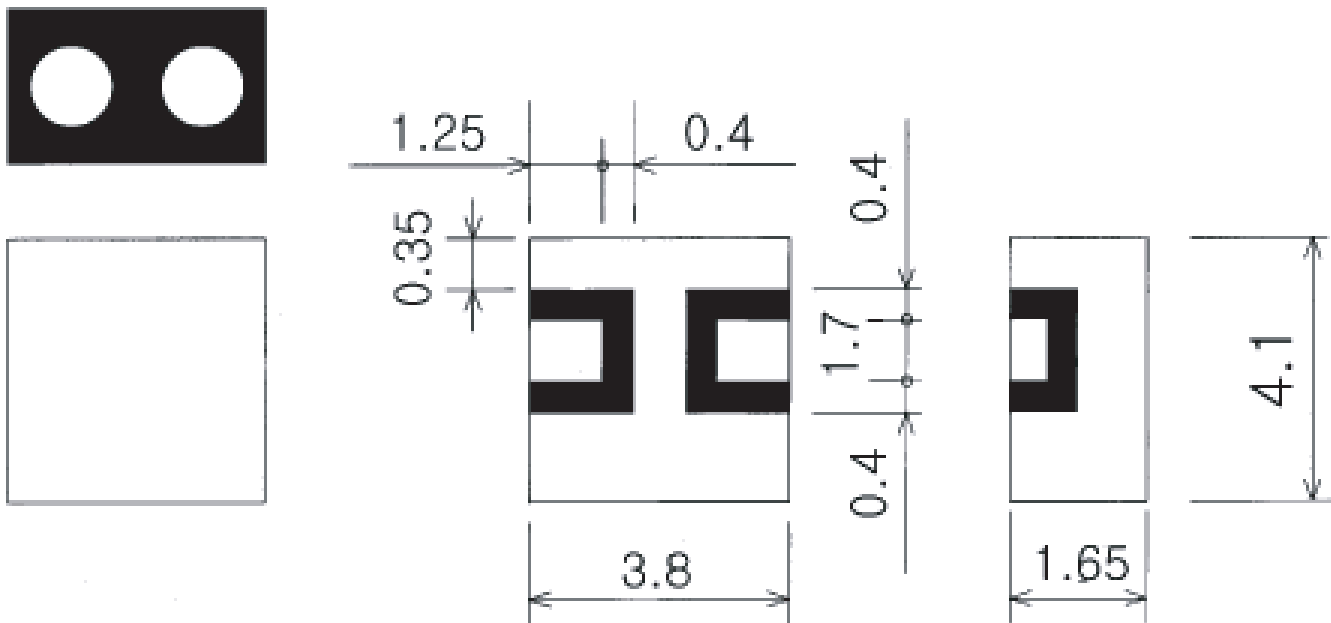
**Mounting Method:** SMT  
**Dimensions:** 4.1 x 3.8 x 1.65 mm

### Environmental

**Operating Temperature:** -40°C to 85°C  
**Storage Temperature:** -50°C to +90°C

This product is RoHS compliant.

### Outline Drawing:



UNIT : mm

TOLERANCE : + / - 0.2