



**ANATECH ELECTRONICS INC**  
RF & Microwave Filters & Products

# 600 MHz Low Pass Filter

**Part Number: AE600L7838**



## Electrical Specifications

**Cut-Off Frequency:** 600 MHz

**Passband:** DC – 600 MHz

**Insertion Loss:** 0.3 dB Max.

**Return Loss:** 20 dB Min

**Rejection:** 50 dB Min @ 799.994 – 2400.012 MHz

**Power Handling:** 200 Watt

## Mechanical

**Connector Type:** N-Type (F)

**Dimensions:** 4.0 X 1.25 X 0.75 In.

## Environmental

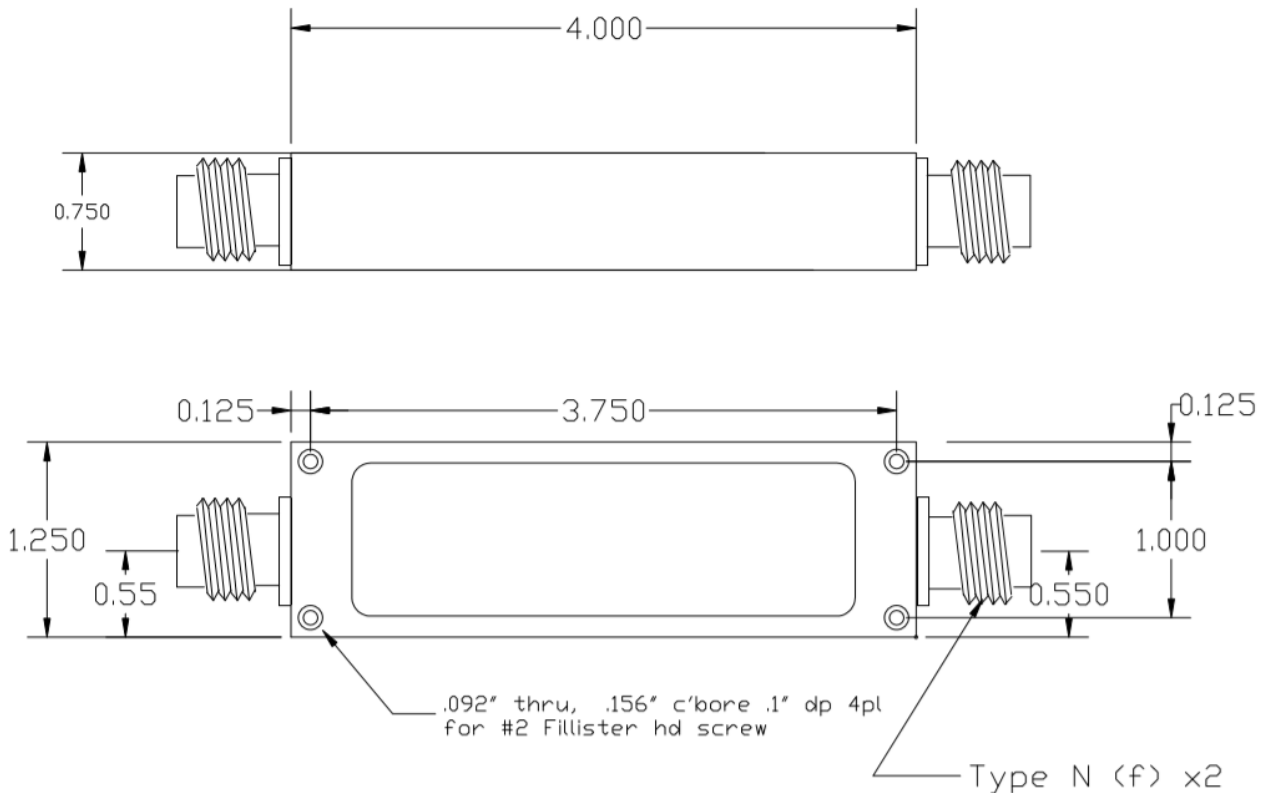
**Operating Temperature:** -40° C to +70° C

**Storage Temperature:** -55° C to +85° C

**Shock:** 10 G.11ms

**Vibration:** 10 G. 5 to 200Hz

## Outline Drawing:



Tolerance: +/-0.01 inches [+/- 0.3mm]

Angles: +/- 1 Deg.

\*Tolerance as shown unless otherwise specified in the datasheet electrical specification tables above.

\*When max dimensions are called out the above tolerances do not apply as long as it is under the max call out.

70 Outwater Lane Phone: (973) 772-4242  
Garfield, NJ 07026 Fax : (973) 321-3941

Email: [sales@anatechelectronics.com](mailto:sales@anatechelectronics.com)  
Web: [www.anatechelectronics.com](http://www.anatechelectronics.com)