



Lobe knobs



• Material

High-resilience polypropylene based (PP) technopolymer. VCT.25 made out of glass-fibre reinforced polyamide based (PA) technopolymer. Resistant to solvents, oils, greases and other chemical agents.

• Colour

Black, matte finish.

On request and for sufficient quantities, it can be supplied in other colours or with customised graphic symbols, marks or writings.

• Coloured centre cap (only for VCT.32-40-50-63-74-95)

Technopolymer, matt finish.

To order, add the index of the desired colour (C9, ..., C6) to the code and the description.

• Standard executions

- **VCT-A:** black-oxide steel boss, plain blind hole.
- **VCT-B:** brass boss, threaded blind hole (VCT.25 - 95) or threaded pass-through hole (VCT.32 - 40 - 50 - 63 - 74).
- **VCT-p:** zinc-plated steel threaded stud, chamfered flat end according to UNI 947 : ISO 4753 (see Technical Data).
- **VCT-AE-V0:** brass boss with threaded blind hole (VCT.25) or pass-through hole (VCT. from 32 to 50).

Technical Data

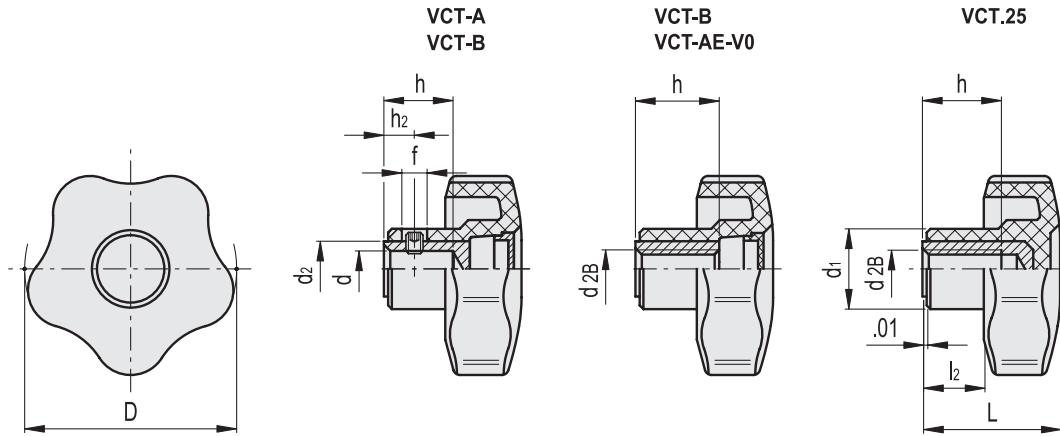
VCT-AE-V0: in long-term thermal ageing tests, with a maximum decrease in critical mechanical properties by 50%, the relative temperature index UL 746 B (RTI) was equal to 65.

The "V0" certification in accordance with UL-94 V (Underwriters Laboratories) indicates that on a plastic test sample with specific shape and dimensions, in the vertical position, the flame is extinguished within 10 seconds, without generating incandescent drops.

Ergonomy and design

The particular design of this knob follows rigorous ergonomic standards: five-lobe shape, blended radius, well proportioned rim height offer a natural, safe and comfortable grip, allowing the operator to obtain a strong clamping action.





* Complete with colour index, example: 969841-C2 VCT.32 B-1/4-C2.
 C9 RAL9005 C2 RAL2004 C3 RAL7035 C4 RAL1021 C5 RAL5024 C6 RAL3000

american unit
metric unit

VCT.

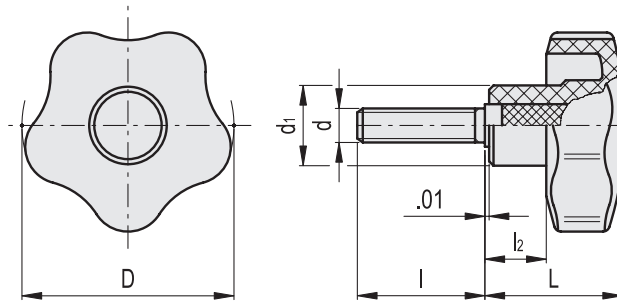
Code	Description	D	d	d2B	L	d1	d2	l2	h	h2	f	C# [ft lb] [Nm]	⚖
969801-C9	VCT.25 B-10-24-C9	0.98 25	-	10-24	0.75 19	0.51 13	-	0.31 8	0.39 10	-	-	3.69 5	0.02 7
969803-C9	VCT.25 B-10-32-C9	0.98 25	-	10-32	0.75 19	0.51 13	-	0.31 8	0.39 10	-	-	5.16 7	0.02 7
969805-C9	VCT.25 B-1/4-20-C9	0.98 25	-	1/4-20	0.75 19	0.51 13	-	0.31 8	0.39 10	-	-	6.63 9	0.01 6
969841-*	VCT.32 B-1/4-*	1.26 32	0.250	-	0.91 23	0.59 15	0.47 12	0.39 10	0.47 12	0.2 5	10-32	-	0.03 13
969843-*	VCT.32 B-10-32-*	1.26 32	-	10-32	0.91 23	0.59 15	-	0.39 10	0.39 10	-	-	5.16 7	0.02 11
969844-*	VCT.32 B-1/4-20-*	1.26 32	-	1/4-20	0.91 23	0.59 15	-	0.39 10	0.47 12	-	-	6.63 9	0.02 11
969891-*	VCT.40 B-1/4-*	1.57 40	0.250	-	1.06 27	0.67 17	0.47 12	0.47 12	0.55 14	0.24 6	10-32	-	0.08 38
969892-*	VCT.40 B-5/16-*	1.57 40	0.312	-	1.06 27	0.67 17	0.55 14	0.47 12	0.59 15	0.24 6	10-32	-	0.09 42
969893-*	VCT.40 B-1/4-20-*	1.57 40	-	1/4-20	1.06 27	0.67 17	-	0.47 12	0.55 14	0.24 6	-	11.79 16	0.06 28
969894-*	VCT.40 B-5/16-18-*	1.57 40	-	5/16-18	1.06 27	0.67 17	-	0.47 12	0.71 18	-	-	13.27 18	0.06 26
969951-*	VCT.50 B-5/16-*	1.97 50	0.312	-	1.26 32	0.75 19	0.55 14	0.55 14	0.63 16	0.28 7	10-32	-	0.09 43
969952-*	VCT.50 B-3/8-*	1.97 50	0.375	-	1.26 32	0.75 19	0.63 16	0.55 14	0.63 16	0.28 7	10-32	-	0.09 40
969953-*	VCT.50 B-5/16-18-*	1.97 50	-	5/16-18	1.26 32	0.75 19	0.55 14	0.55 14	0.63 16	0.28 7	-	17.69 24	0.09 42
969954-*	VCT.50 B-3/8-16-*	1.97 50	-	3/8-16	1.26 32	0.75 19	0.63 16	0.55 14	0.63 16	0.28 7	-	19.9 27	0.08 38
970011-*	VCT.63 A-3/8-*	2.48 63	0.375	-	1.46 37	0.87 22	0.67 17	0.63 16	0.79 20	0.31 8	1/4-20	-	0.12 55
970012-*	VCT.63 A-1/2-*	2.48 63	0.500	-	1.46 37	0.87 22	0.75 19	0.63 16	0.79 20	0.31 8	1/4-20	-	0.13 58
970015-*	VCT.63 B-5/16-18-*	2.48 63	-	5/16-18	1.46 37	0.87 22	-	0.63 16	1.02 26	-	-	34.64 47	0.11 50
970013-*	VCT.63 B-3/8-16-*	2.48 63	-	3/8-16	1.46 37	0.87 22	-	0.63 16	1.02 26	-	-	36.85 50	0.11 48
970014-*	VCT.63 B-1/2-13-*	2.48 63	-	1/2-13	1.46 37	0.87 22	-	0.63 16	1.02 26	-	-	-	0.11 51
970053-*	VCT.74 A-1/2-*	2.91 74	0.500	-	1.71 43.5	1.02 26	0.75 19	0.87 22	0.79 20	0.31 8	1/4-20	-	0.15 66
970062-*	VCT.74 B-1/2-13-*	2.91 74	-	1/2-13	1.71 43.5	1.02 26	-	0.87 22	1.02 26	-	-	44.22 60	0.14 63

"Max limit Tightening torque" means the max torque value at which the metal insert, in normal conditions of use, is perfectly and strongly anchored to the plastic material.

american unit
metric unit

VCT.AE-V0

Code	Description	D	d _{2B}	L	d ₁	l ₂	h	⚖
950534	VCT.25 AE-V0 B-10-32	0.98 25	10-32	0.75 19	0.51 13	0.31 8	0.39 10	0.01 6
950544	VCT.32 AE-V0 B-1/4-20	1.26 32	1/4-20	0.91 23	0.59 15	0.39 10	0.47 12	0.02 11
950564	VCT.40 AE-V0 B-5/16-18	1.57 40	5/16-18	1.06 27	0.67 17	0.47 12	0.71 18	0.05 24
950584	VCT.50 AE-V0 B-3/8-16	1.97 50	3/8-16	1.26 32	0.75 19	0.55 14	1.02 26	0.07 34



* Complete with colour index, example: 969851-C2 VCT.32 p-1/4-20x1/2-C2.

	C9		C2		C3		C4		C5		C6
	RAL9005		RAL2004		RAL7035		RAL1021		RAL5024		RAL3000

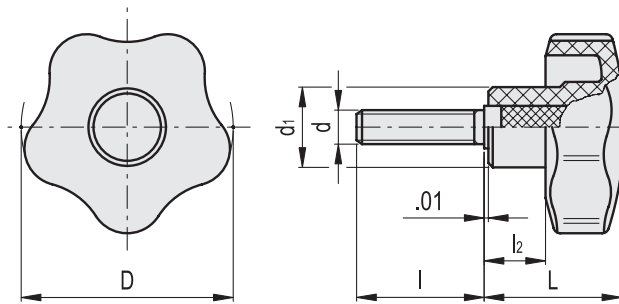
american unit
metric unit


VCT.p







Code	Description	D	d _{2A}	L	d ₁	l	l ₂	C# [ft lb] [Nm]	⚖
969813-C9	VCT.25 p-10-32x1/2-C9	0.98 25	10-32	0.75 19	0.51 13	0.500	0.31 8	3.69 5	0.02 9
969815-C9	VCT.25 p-10-32x3/4-C9	0.98 25	10-32	0.75 19	0.51 13	0.750	0.31 8	3.69 5	0.02 10
969817-C9	VCT.25 p-10-32x1-C9	0.98 25	10-32	0.75 19	0.51 13	1.000	0.31 8	3.69 5	0.02 11
969823-C9	VCT.25 p-1/4-20x1/2-C9	0.98 25	1/4-20	0.75 19	0.51 13	0.500	0.31 8	3.69 5	0.03 15
969825-C9	VCT.25 p-1/4-20x3/4-C9	0.98 25	1/4-20	0.75 19	0.51 13	0.750	0.31 8	3.69 5	0.04 17
969827-C9	VCT.25 p-1/4-20x1-C9	0.98 25	1/4-20	0.75 19	0.51 13	1.000	0.31 8	3.69 5	0.04 19
969851-*	VCT.32 p-1/4-20x1/2-*	1.26 32	1/4-20	0.91 23	0.59 15	0.500	0.39 10	5.9 8	0.03 13
969852-*	VCT.32 p-1/4-20x3/4-*	1.26 32	1/4-20	0.91 23	0.59 15	0.750	0.39 10	5.9 8	0.04 16
969854-*	VCT.32 p-1/4-20x1-*	1.26 32	1/4-20	0.91 23	0.59 15	1.000	0.39 10	5.9 8	0.04 18
969856-*	VCT.32 p-1/4-20x1½-*	1.26 32	1/4-20	0.91 23	0.59 15	1.500	0.39 10	5.9 8	0.04 19
969861-*	VCT.32 p-5/16-18x3/4-*	1.26 32	5/16-18	0.91 23	0.59 15	0.750	0.39 10	5.9 8	0.04 20
969863-*	VCT.32 p-5/16-18x1-*	1.26 32	5/16-18	0.91 23	0.59 15	1.000	0.39 10	5.9 8	0.05 23
969901-*	VCT.40 p-1/4-20x1/2-*	1.57 40	1/4-20	1.06 27	0.67 17	0.500	0.47 12	10.32 14	0.04 17
969902-*	VCT.40 p-1/4-20x3/4-*	1.57 40	1/4-20	1.06 27	0.67 17	0.750	0.47 12	10.32 14	0.04 20

"Max limit Tightening torque" means the max torque value at which the metal insert, in normal conditions of use, is perfectly and strongly anchored to the plastic material.






 * Complete with colour index, example: 969851-C2 VCT.32 p-1/4-20x1/2-C2.

 C9	 C2	 C3	 C4	 C5	 C6
RAL9005	RAL2004	RAL7035	RAL1021	RAL5024	RAL3000

american unit
metric unit

VCT.p

Code	Description	D	d _{2A}	L	d ₁	l	l ₂	C# [ft lb] [Nm]	
969903-*	VCT.40 p-1/4-20x1-*	1.57 40	1/4-20	1.06 27	0.67 17	1.000	0.47 12	10.32 14	0.05 21
969911-*	VCT.40 p-5/16-18x3/4-*	1.57 40	5/16-18	1.06 27	0.67 17	0.750	0.47 12	11.79 16	0.06 28
969913-*	VCT.40 p-5/16-18x1-*	1.57 40	5/16-18	1.06 27	0.67 17	1.000	0.47 12	11.79 16	0.07 30
969915-*	VCT.40 p-5/16-18x1¼-*	1.57 40	5/16-18	1.06 27	0.67 17	1.250	0.47 12	11.79 16	0.07 33
969917-*	VCT.40 p-5/16-18x1½-*	1.57 40	5/16-18	1.06 27	0.67 17	1.500	0.47 12	11.79 16	0.08 37
969961-*	VCT.50 p-5/16-18x1-*	1.97 50	5/16-18	1.26 32	0.75 19	1.000	0.55 14	11.79 16	0.07 33
969965-*	VCT.50 p-5/16-18x1½-*	1.97 50	5/16-18	1.26 32	0.75 19	1.500	0.55 14	11.79 16	0.09 39
969969-*	VCT.50 p-3/8-16x3/4-*	1.97 50	3/8-16	1.26 32	0.75 19	0.750	0.55 14	16.95 23	0.1 44
969971-*	VCT.50 p-3/8-16x1-*	1.97 50	3/8-16	1.26 32	0.75 19	1.000	0.55 14	16.95 23	0.11 50
969973-*	VCT.50 p-3/8-16x1¼-*	1.97 50	3/8-16	1.26 32	0.75 19	1.250	0.55 14	16.95 23	0.12 55
969975-*	VCT.50 p-3/8-16x1½-*	1.97 50	3/8-16	1.26 32	0.75 19	1.500	0.55 14	16.95 23	0.13 61
970021-*	VCT.63 p-3/8-16x3/4-*	2.48 63	3/8-16	1.46 37	0.87 22	0.750	0.63 16	27.27 37	0.12 55
970022-*	VCT.63 p-3/8-16x1-*	2.48 63	3/8-16	1.46 37	0.87 22	1.000	0.63 16	27.27 37	0.13 61
970023-*	VCT.63 p-3/8-16x1¼-*	2.48 63	3/8-16	1.46 37	0.87 22	1.250	0.63 16	27.27 37	0.15 66
970024-*	VCT.63 p-3/8-16x1½-*	2.48 63	3/8-16	1.46 37	0.87 22	1.500	0.63 16	27.27 37	0.16 72
970027-*	VCT.63 p-3/8-16x2-*	2.48 63	3/8-16	1.46 37	0.87 22	2.000	0.63 16	27.27 37	0.17 77
970032-*	VCT.63 p-1/2-13x1½-*	2.48 63	1/2-13	1.46 37	0.87 22	1.500	0.63 16	33.9 46	0.18 83
970034-*	VCT.63 p-1/2-13x2-*	2.48 63	1/2-13	1.46 37	0.87 22	2.000	0.63 16	33.9 46	0.19 88
970081-*	VCT.74 p-3/8-16x1-*	2.91 74	3/8-16	1.71 43.5	1.02 26	1.000	0.87 22	33.9 46	0.21 94
970083-*	VCT.74 p-1/2-13x1¼-*	2.91 74	1/2-13	1.71 43.5	1.02 26	1.250	0.87 22	50.12 68	0.22 99
970085-*	VCT.74 p-1/2-13x2-*	2.91 74	1/2-13	1.71 43.5	1.02 26	2.000	0.87 22	50.12 68	0.23 105

"Max limit Tightening torque" means the max torque value at which the metal insert, in normal conditions of use, is perfectly and strongly anchored to the plastic material.