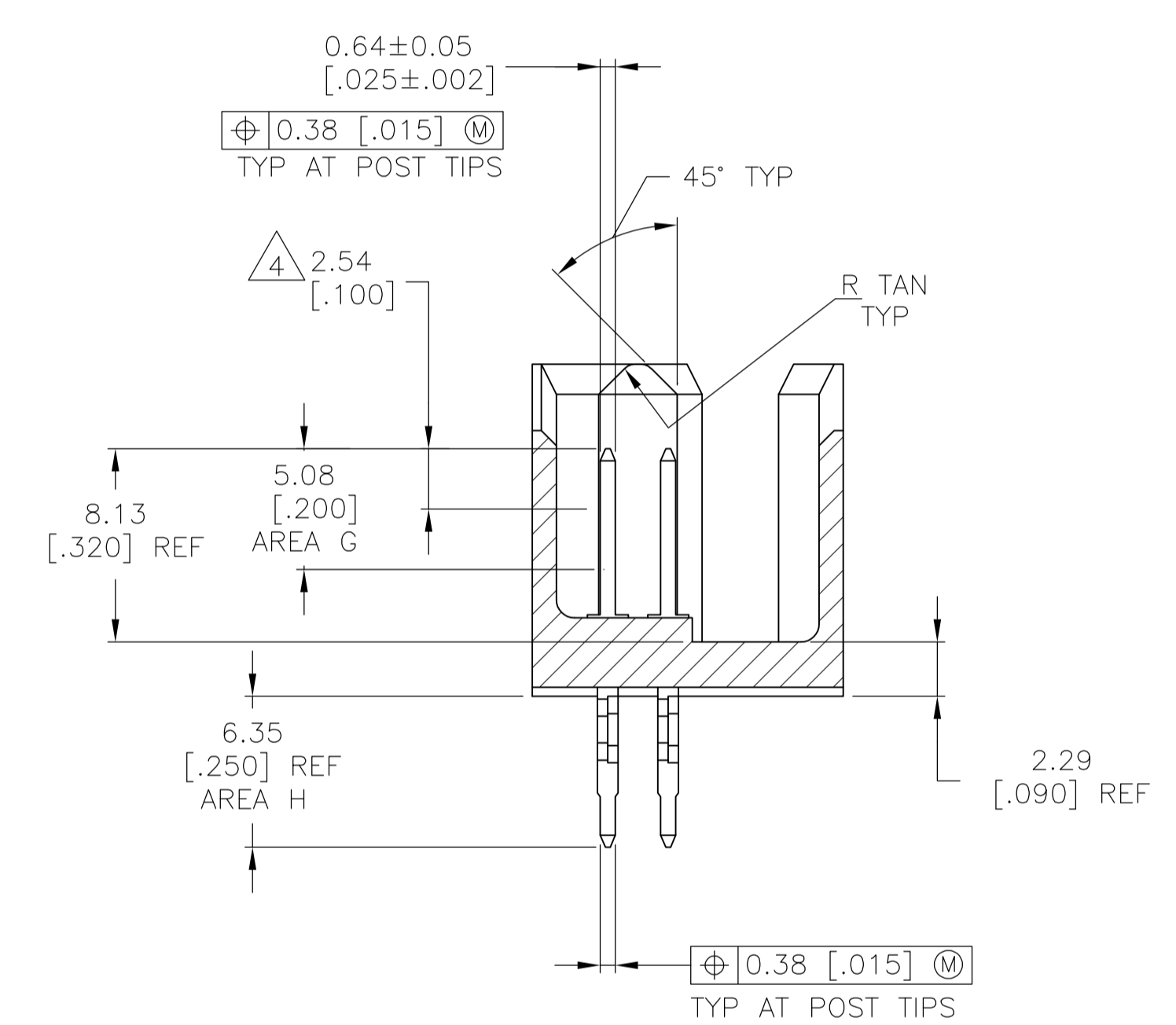
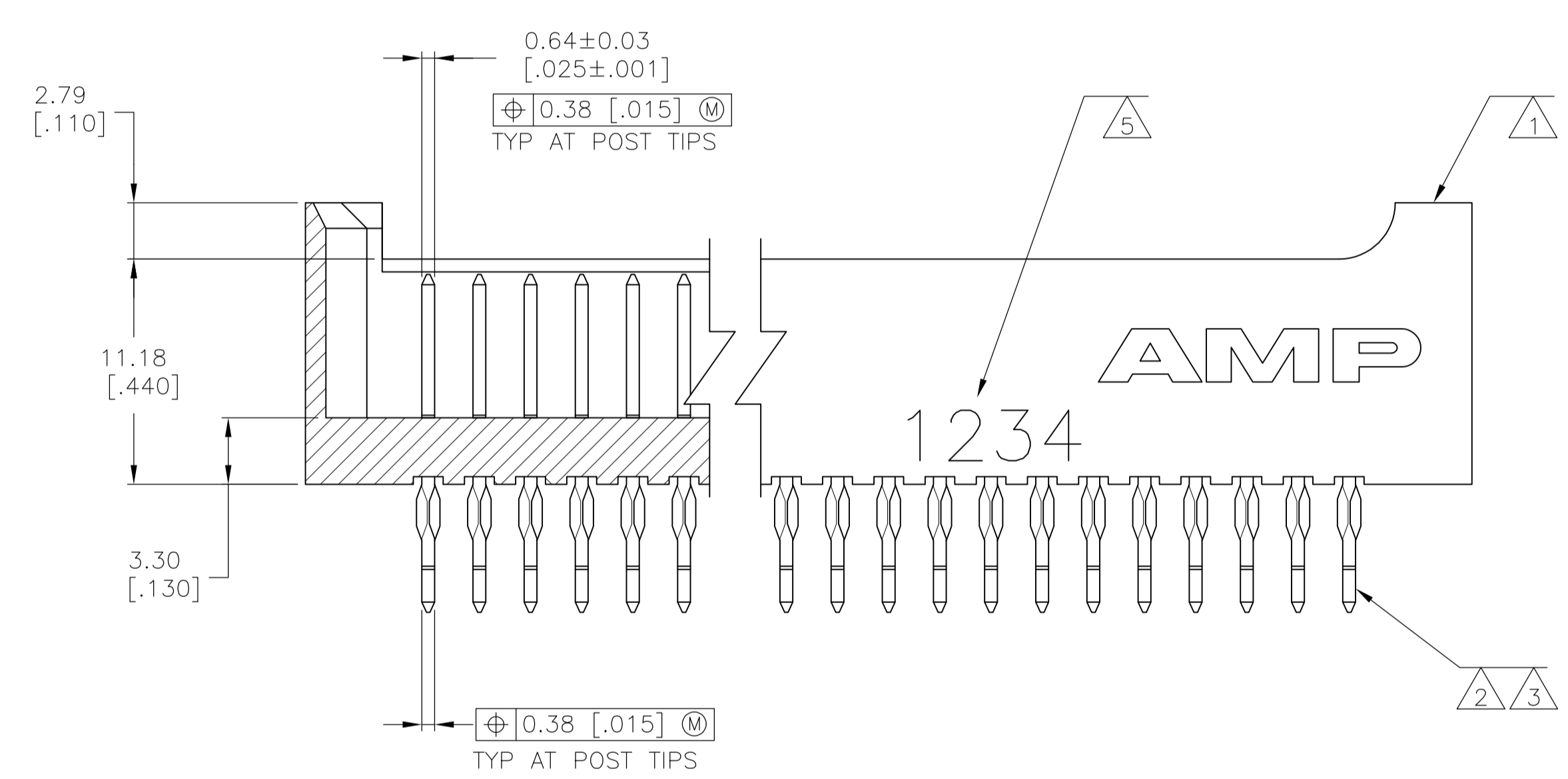
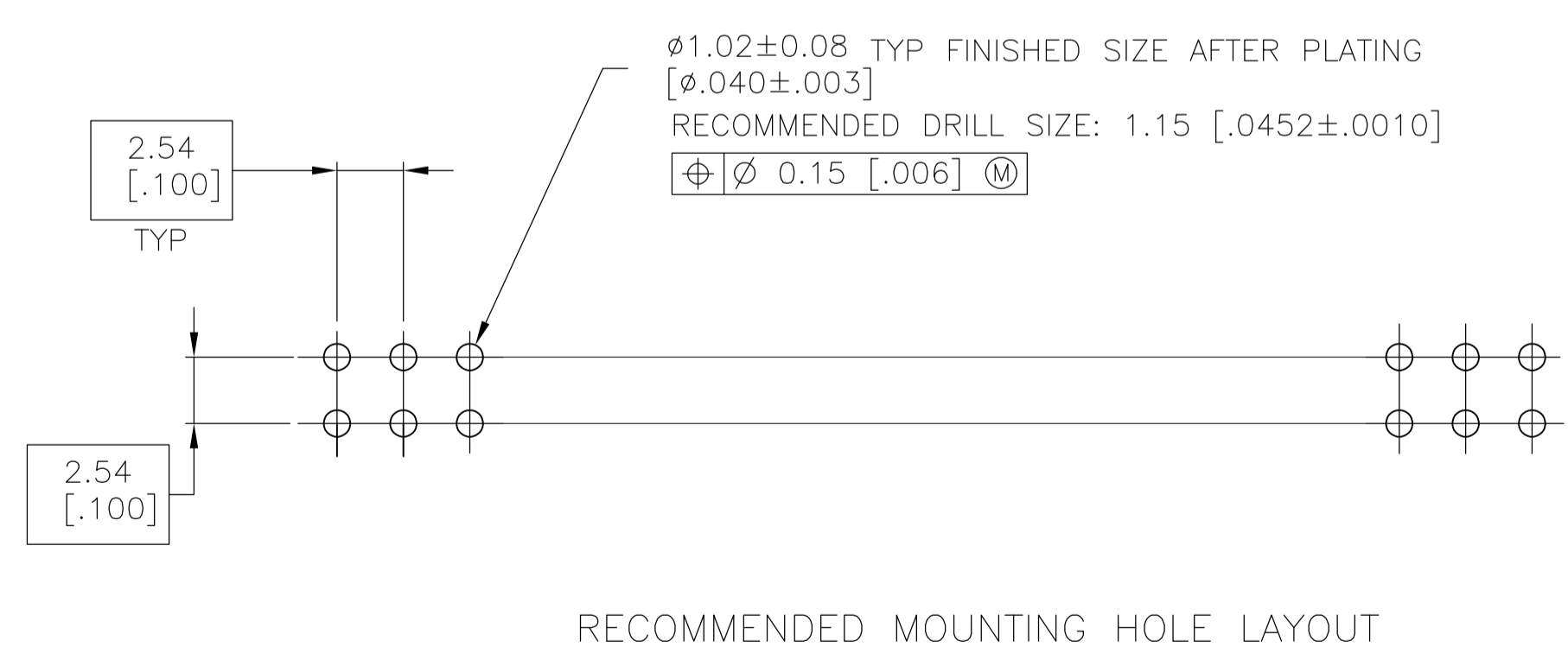


- 1 HOUSING: FLAME RETARDANT THERMOPLASTIC; COLOR: BLACK.
- 2 POST: COPPER ALLOY.
- 3 POST FINISH: 0.00076 [0.00030] GOLD IN AREA G, 0.00254-0.00508 [0.00100-0.00200] BRIGHT TIN-LEAD IN AREA H, ALL OVER 0.00127 [0.00050] NICKEL.
- 4 POINT OF MEASUREMENT FOR PLATING THICKNESS.
- 5 RECESSED DATE CODE.
- 6 CSA LOGO RECESS STAMPED ON HOUSING.
- 7 POST FINISH: 0.00076 [0.00030] GOLD IN AREA G, 0.00254-0.00508 [0.00100-0.00200] MATTE TIN IN AREA H, ALL OVER 0.00127 [0.00050] NICKEL.
- 8 ROHS 2002/95/EC COMPLIANT



SECTION Z-Z  
ROTATED 90° CW



RECOMMENDED MOUNTING HOLE LAYOUT

OBSOLETE	7	66	29, 32	29, 32	98.55 [3.880]	95.76 [3.770]	96.52 [3.800]	34	66/70	5-533740-7
	3	66	29, 32	29, 32	98.55 [3.880]	95.76 [3.770]	96.52 [3.800]	34	66/70	533740-7
OBSOLETE	3	70	24, 26, 28, 36-38, 41-43, 45, 47, 49	3, 6, 13, 14, 18, 21, 24, 26, 28, 36-38, 41-43, 45, 47, 49	136.65 [5.380]	133.86 [5.270]	134.62 [5.300]	49	100	533740-6
	3	16	2, 9	2, 9	35.05 [1.380]	32.26 [1.270]	33.02 [1.300]	9	20	533740-5
OBSOLETE	3	40	5-14, 16, 18, 19, 22, 25, 29, 32, 34	11-14, 16, 18, 19, 22, 25, 29, 32, 34	98.55 [3.880]	95.76 [3.770]	96.52 [3.800]	34	70	533740-4
	3	73	1-8, 11, 13, 14, 17-19	1, 2, 4, 6-8, 10, 11, 14, 15, 17-19	136.65 [5.380]	133.86 [5.270]	134.62 [5.300]	49	100	533740-3
OBSOLETE	3	44	21, 22, 24	21, 22, 24	73.15 [2.880]	70.36 [2.770]	71.12 [2.800]	24	50	533740-2
	3	44	3, 4, 5	3, 4, 5	73.15 [2.880]	70.36 [2.770]	71.12 [2.800]	24	50	533740-1
FINISH	NO OF ACTV POSN	POSTS OMITTED		K	J	B	A	NO OF POSN	PART NUMBER	

THIS DRAWING IS A CONTROLLED DOCUMENT. DIMENSIONS: mm [INCHES]. TOLERANCES UNLESS OTHERWISE SPECIFIED: 0 PLC ±, 1 PLC ±, 2 PLC ±, 3 PLC ± 0.13 [0.005], 4 PLC ±. MATERIAL: HOUSING, POST. FINISH: SEE TABLE. THIS DRAWING IS A CONTROLLED DOCUMENT. DWG: K.L.CLOUSER/UTA, CHK: D.SARVER, APVD: D.SARVER, DATE: 05JUN91. NAME: HEADER ASSY, MOD II, DOUBLE ROW, 2.54 X 2.54 [0.100 X 0.100] CL. APPLICATION SPEC: 0.64 [0.025] SQ COMPLIANT POST, SELECT LOADING. SIZE: A1, CAGE CODE: 00779, DRAWING NO: 533740. WEIGHT: -. RESTRICTED TO: CUSTOMER DRAWING. SCALE: 4:1, SHEET: 1 OF 1, REV: G1.