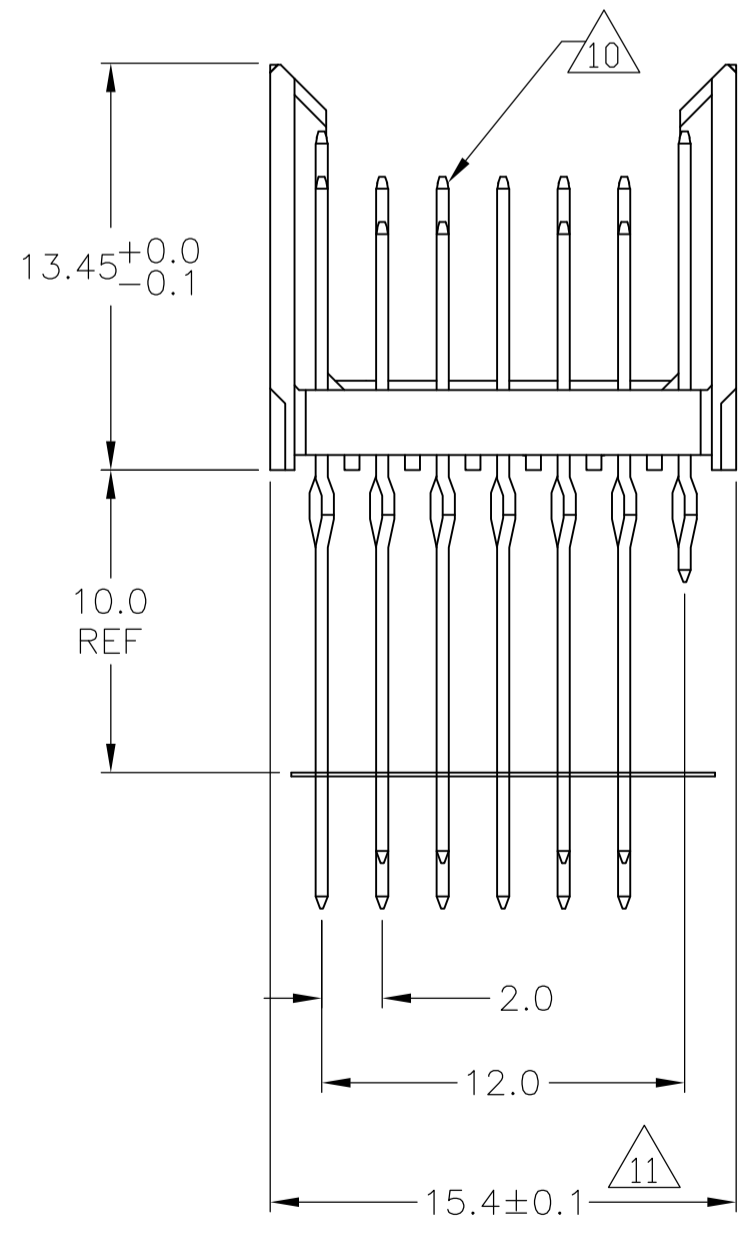
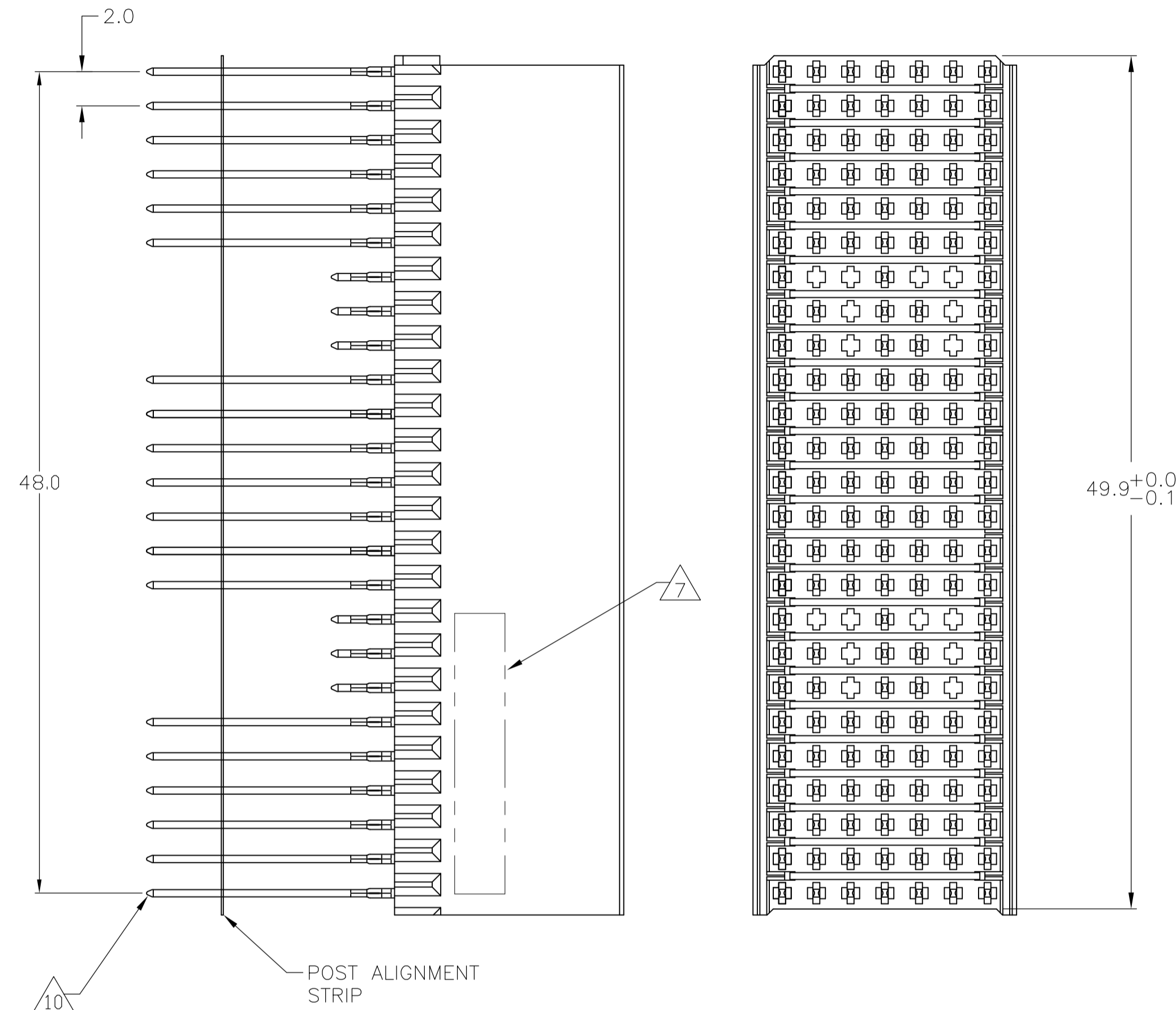
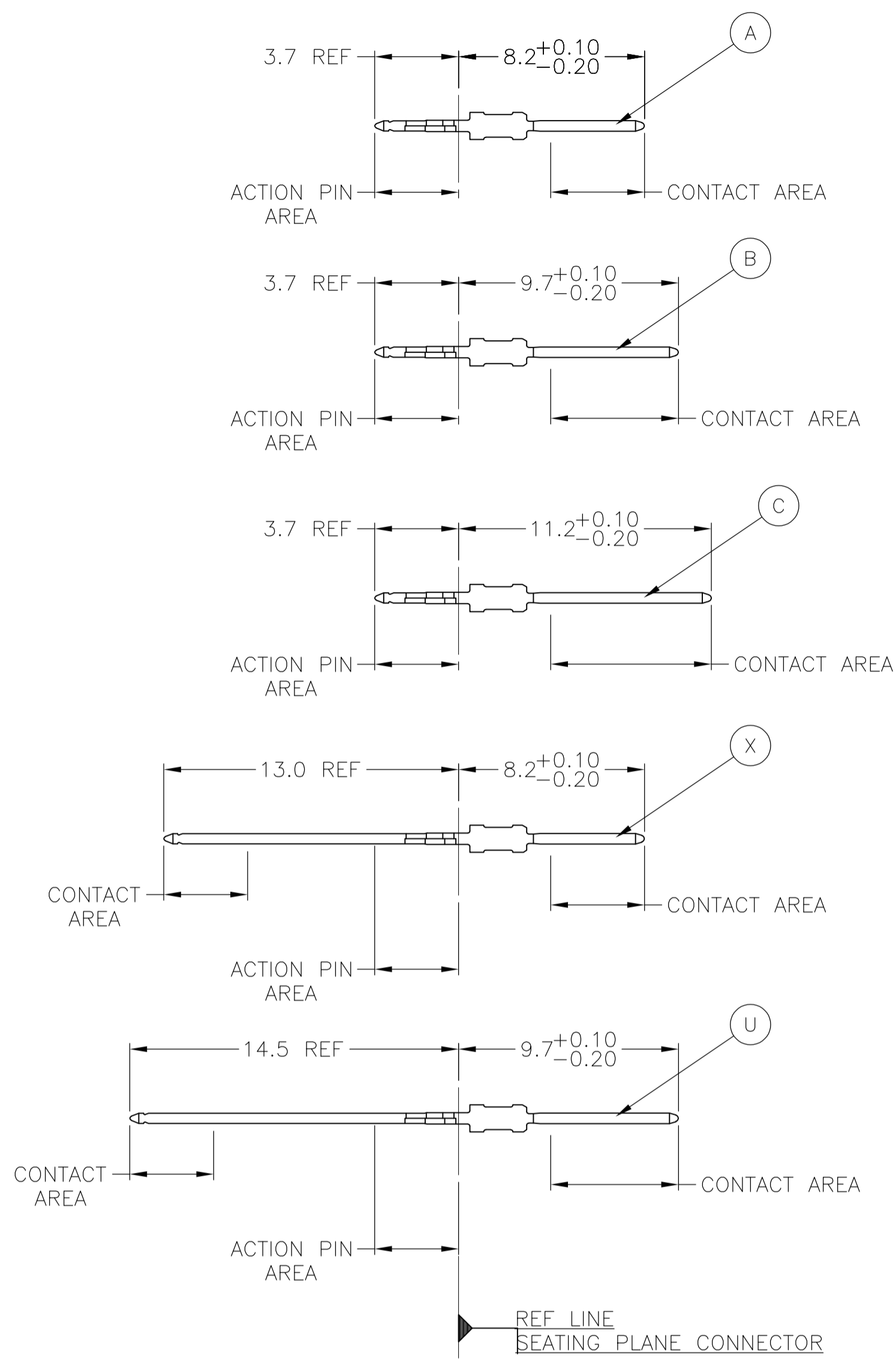


CONNECTOR ASSEMBLY EXAMPLARY LOADED



CONTACT DIMENSIONS

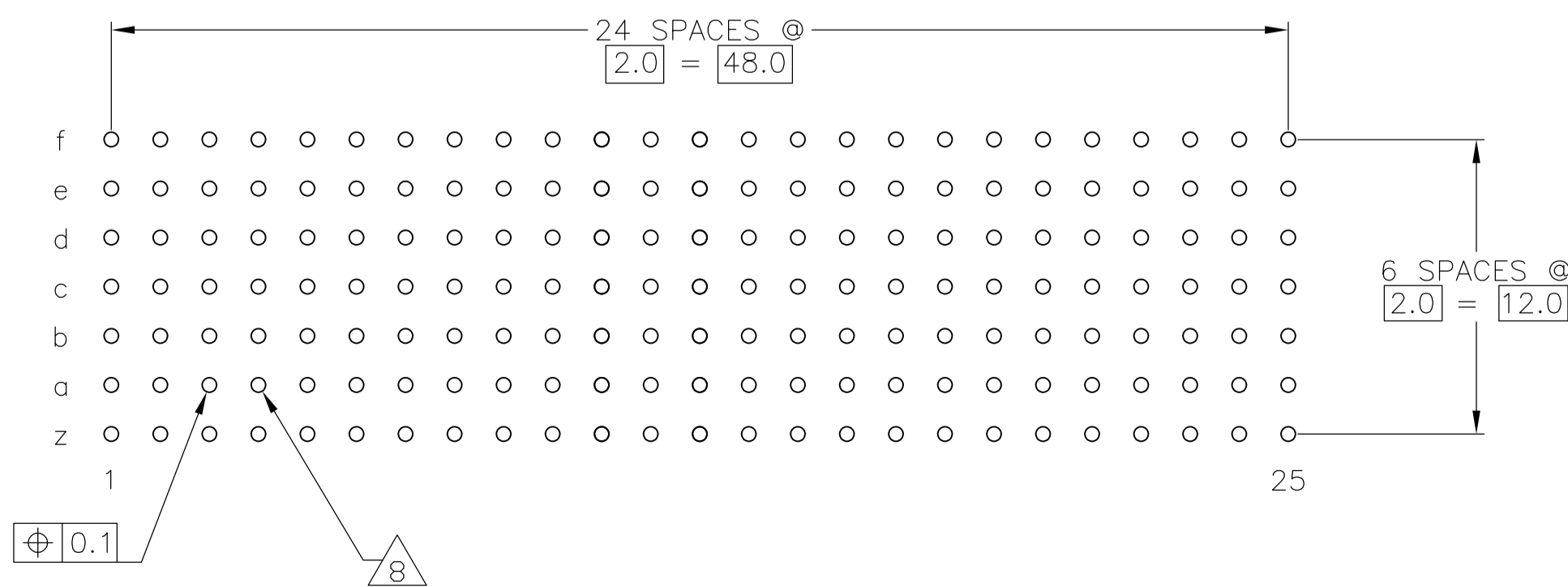
SCALE 5:1



CONTACT LAYOUT

	z	a	b	c	d	e	f
1	U	X	X	U	X	X	C
2	U	X	X	U	X	X	C
3	U	U	U	U	U	U	C
4	U	X	X	U	X	X	C
5	U	X	X	U	X	X	C
6	U	U	U	U	U	U	C
7	C			B			C
8	C	A		B	A		C
9	C	A		B	A		C
10	U	U	U	U	U	U	C
11	U	X	X	U	X	X	C
12	U	X	X	U	X	X	C
13	U	U	U	U	U	U	C
14	U	X	X	U	X	X	C
15	U	X	X	U	X	X	C
16	U	U	U	U	U	U	C
17	C			B			C
18	C	A		B	A		C
19	C	A		B	A		C
20	U	U	U	U	U	U	C
21	U	X	X	U	X	X	C
22	U	X	X	U	X	X	C
23	U	U	U	U	U	U	C
24	U	X	X	U	X	X	C
25	U	X	X	U	X	X	C

RECOMMENDED PCB-HOLE LAYOUT COMPONENT SIDE SHOWN



PLATED THRU HOLES PARAMETERS

REFERENCE APPLICATION SPECIFICATION

2 6 12	1-352622-9
2 5 12	352622-9
2 4 4	352622-4
2 3 3	352622-1
OBsolete	
FINISH	PART NUMBER

THIS DRAWING IS A CONTROLLED DOCUMENT.

DIMENSIONS: mm

TOLERANCES UNLESS OTHERWISE SPECIFIED:

Ø-PLC	±
1-PLC	±0.1
2-PLC	±0.2
3-PLC	±
4-PLC	±
ANGLES	±

MATERIAL: 1

FINISH: SEE TABLE

THIS DRAWING IS A CONTROLLED DOCUMENT.

DIN: B. CARBO 27JUL05

CHK: G. SKIPPER 27JUL05

APVD: G. SKIPPER 27JUL05

NAME: Tyco Electronics Corporation Harrisburg, Pa 17105-3608

PRODUCT SPEC: 108-19082

APPLICATION SPEC: 114-19029

SIZE: A1

CAGE CODE: 00779

DRAWING NO: 352622

RESTRICTED TO: -

CUSTOMER DRAWING

SCALE: 4:1


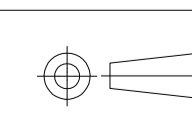
SHEET: 1 OF 2

REV: F

THIS DRAWING IS UNPUBLISHED. RELEASED FOR PUBLICATION
 © COPYRIGHT BY TYCO ELECTRONICS CORPORATION. ALL RIGHTS RESERVED.

LOC		DIST		REVISIONS			
P	LTR	DESCRIPTION	DATE	DN	APVO		
AD	00	SEE SHEET 1	-	-	-	-	-

- 1 MATERIAL:
CONTACT: PHOSPHOR BRONZE.
HOUSING: GLASS-FILLED POLYESTER.
- 2 GENERAL PLATING SPECIFICATION: UNDERPLATING
(ENTIRE CONTACT): 1.27µm MIN NICKEL AND ACTION
PIN: 0.5µm MIN TIN/LEAD.
FOR PLATING OF MATING SURFACES SEE APPLICABLE
SPECIFICATION REFERENCE FOR EACH DASH NUMBER.
- 3 CONFORMS TO ALL TESTING ACCORDING TO IEC 61076-4-101
PERFORMANCE LEVEL 2.
- 4 CONFORMS TO ALL TESTING ACCORDING TO IEC 61076-4-101
PERFORMANCE LEVEL 1.
- 5 CONNECTOR TESTED AND QUALIFIED AGAINST TELCORDIA GR-1217-CORE QUALITY LEVEL 3,
CENTRAL OFFICE APPLICATIONS.
- 6 CONNECTOR TESTED AND QUALIFIED AGAINST TELCORDIA GR-1217-CORE QUALITY LEVEL 3,
UNCONTROLLED ENVIROMENT APPLICATIONS.
- 7 CONNECTOR MARKED WITH PART NUMBER AND DATE CODE.
ADDITIONAL CHARACTERS OR MARKINGS, AS WELL AS THE LOCATION OF THE MARKINGS,
MAY BE ADDED FOR TRACEABILITY BASED UPON MANUFACTURERS DISCRETION.
- 8 PLATED-THROUGH HOLES AT 2x2mm SQUARE GRID
PATTERN DEFINED BY CONTACT LAYOUT.
- 9 FOR ACTUAL PIN LOADING SEE "CONTACT LAYOUT".
- 10 FOR ACTUAL PIN DIMENSIONS SEE "CONTACT DIMENSIONS".
- 11 TO BE MEASURED AT BOTTOM OF SHROUD.
- 12 CONNECTOR LUBRICATED WITH BELCORE APPROVED LUBRICANT,
TECHNICAL REFERENCE: TR-NWT-001217 ISSUE 1, SEP 1992.

THIS DRAWING IS A CONTROLLED DOCUMENT.		DIN B CARBO	27JUL05	 Tyco Electronics Corporation Harrisburg, Pa 17105-3608
		CHK G SKIPPER	27JUL05	
DIMENSIONS: mm		TOLERANCES UNLESS OTHERWISE SPECIFIED: 0-PLC ± 1-PLC ±0.1 2-PLC ± 3-PLC ± 4-PLC ± ANGLES ±		APVO G SKIPPER 27JUL05 NAME MALE ASSEMBLY, Z-PACK 2mm HM, TYPE B
		PRODUCT SPEC 108-19082 APPLICATION SPEC 114-19029		SIZE A1 CAGE CODE 00779 DRAWING NO C=352622 RESTRICTED TO -
MATERIAL SEE SHEET 1		FINISH SEE SHEET 1		WEIGHT - CUSTOMER DRAWING SCALE 4:1 SHEET 2 OF 2 REV F