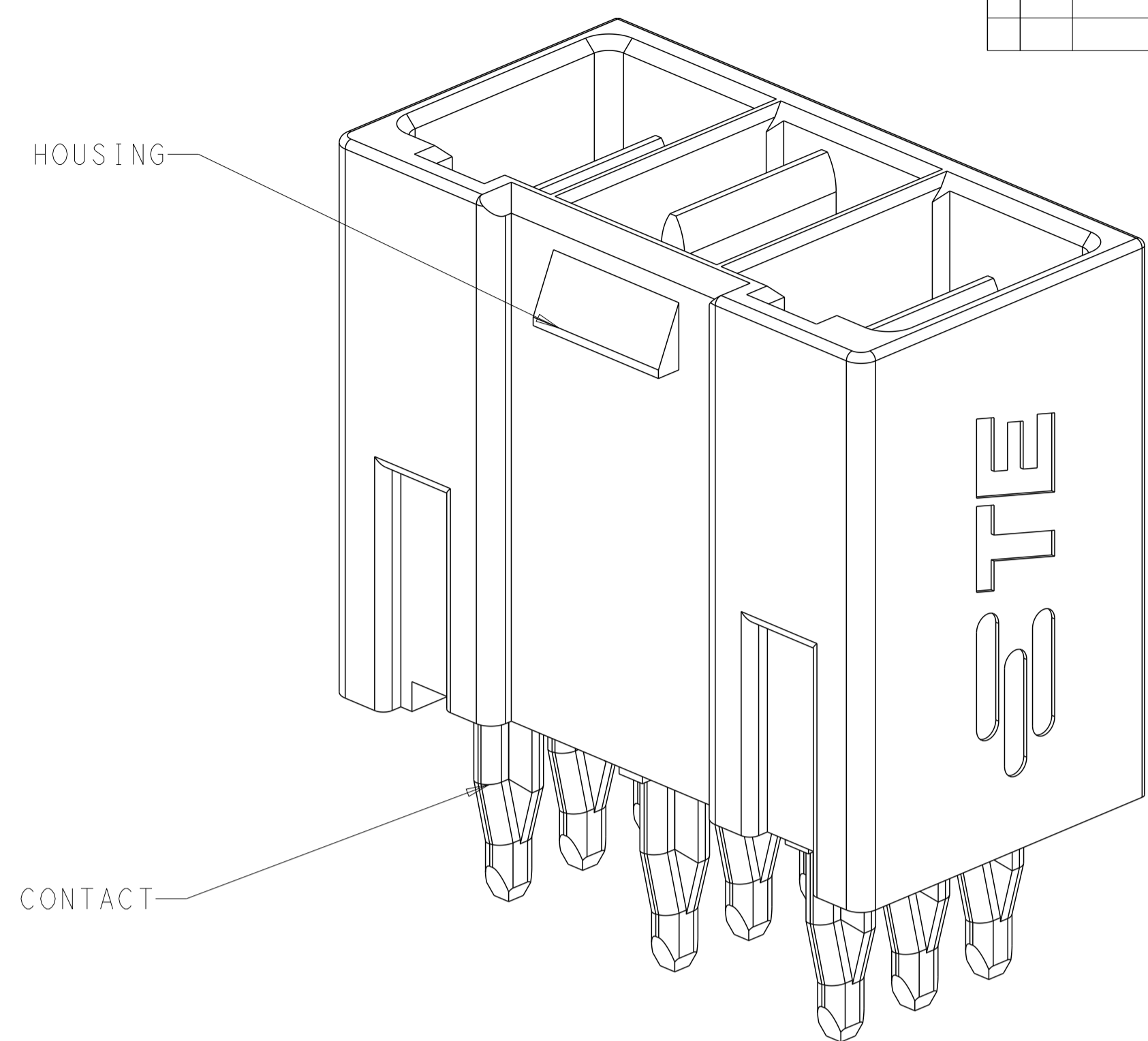
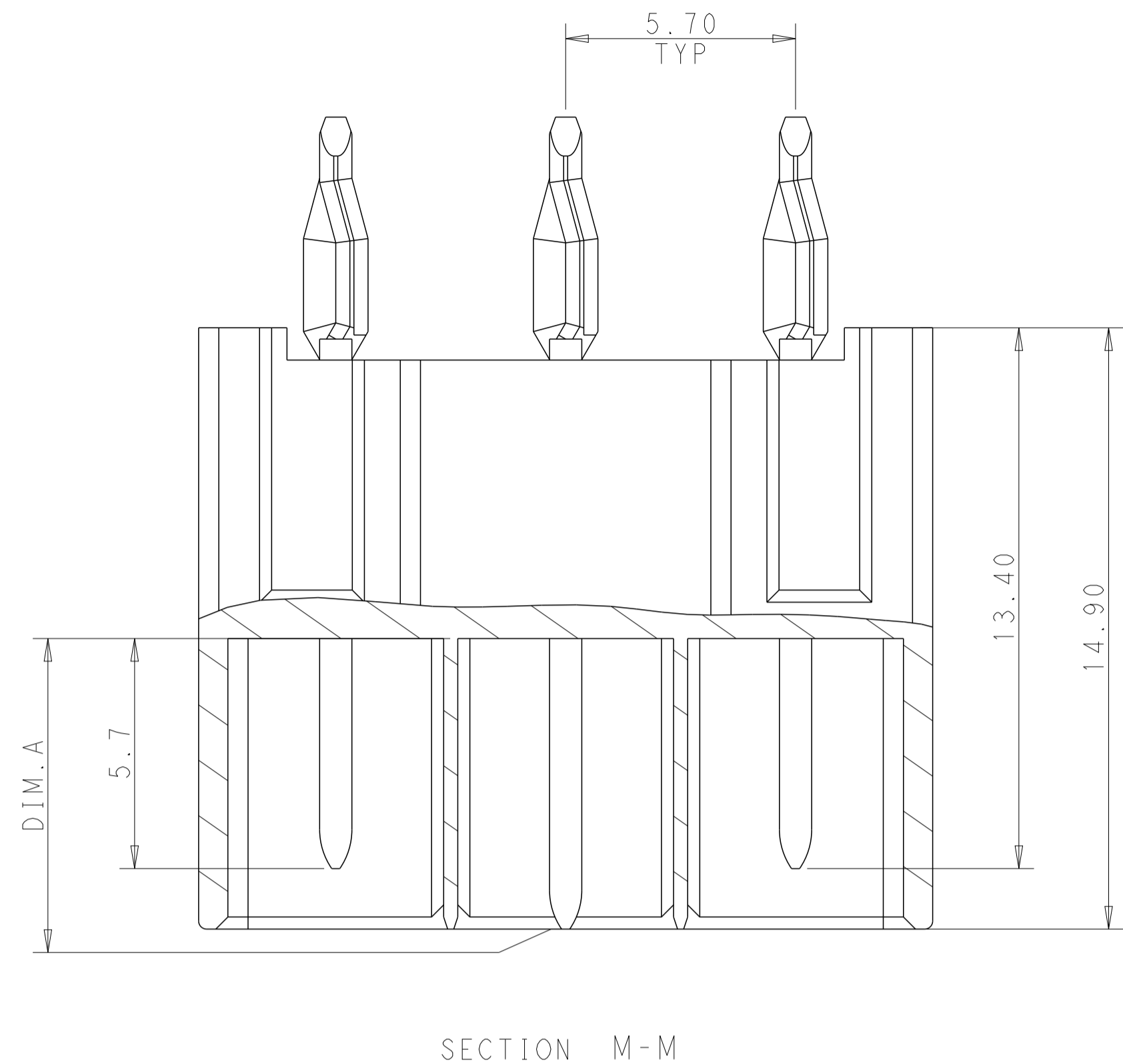
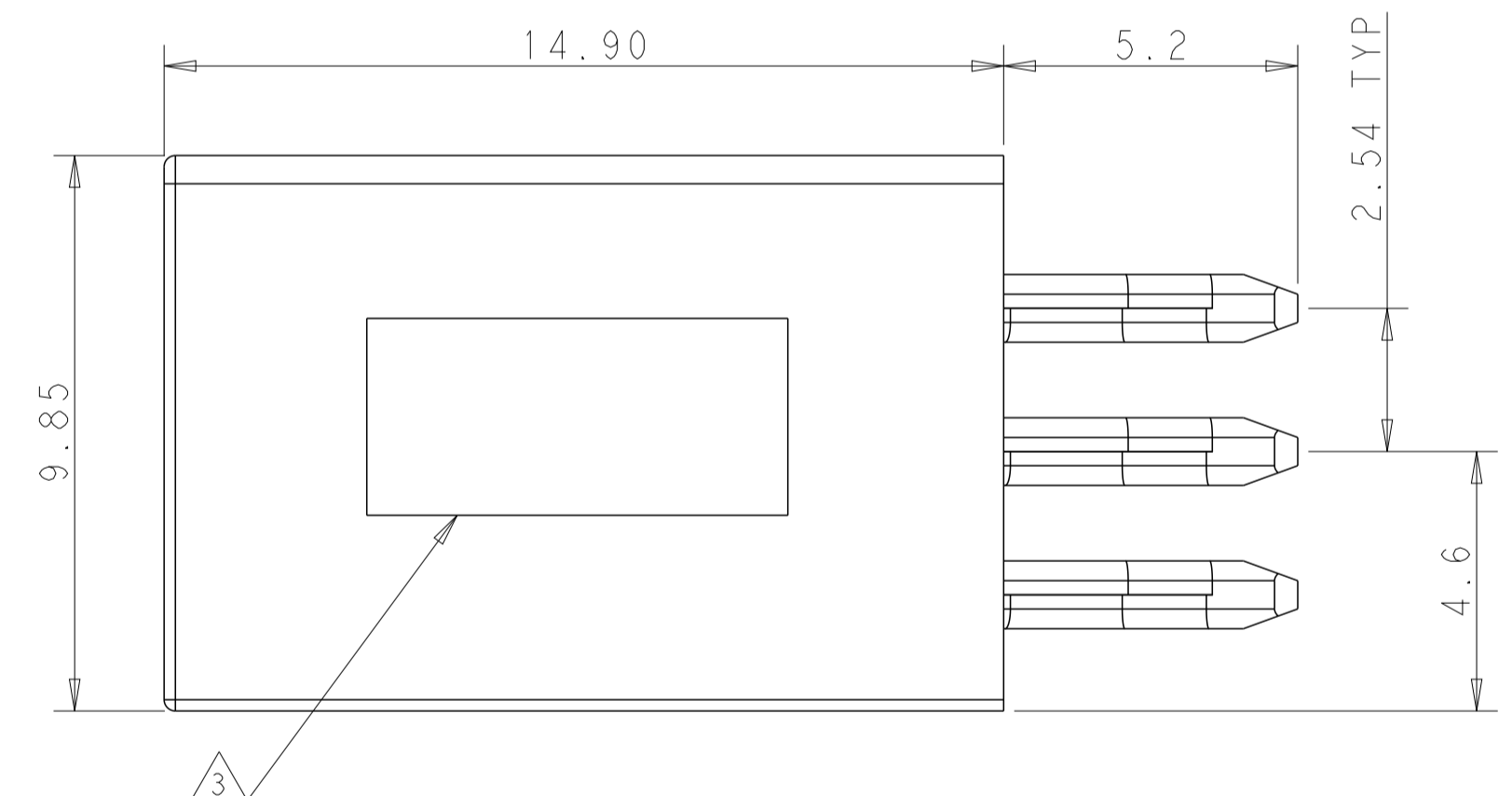
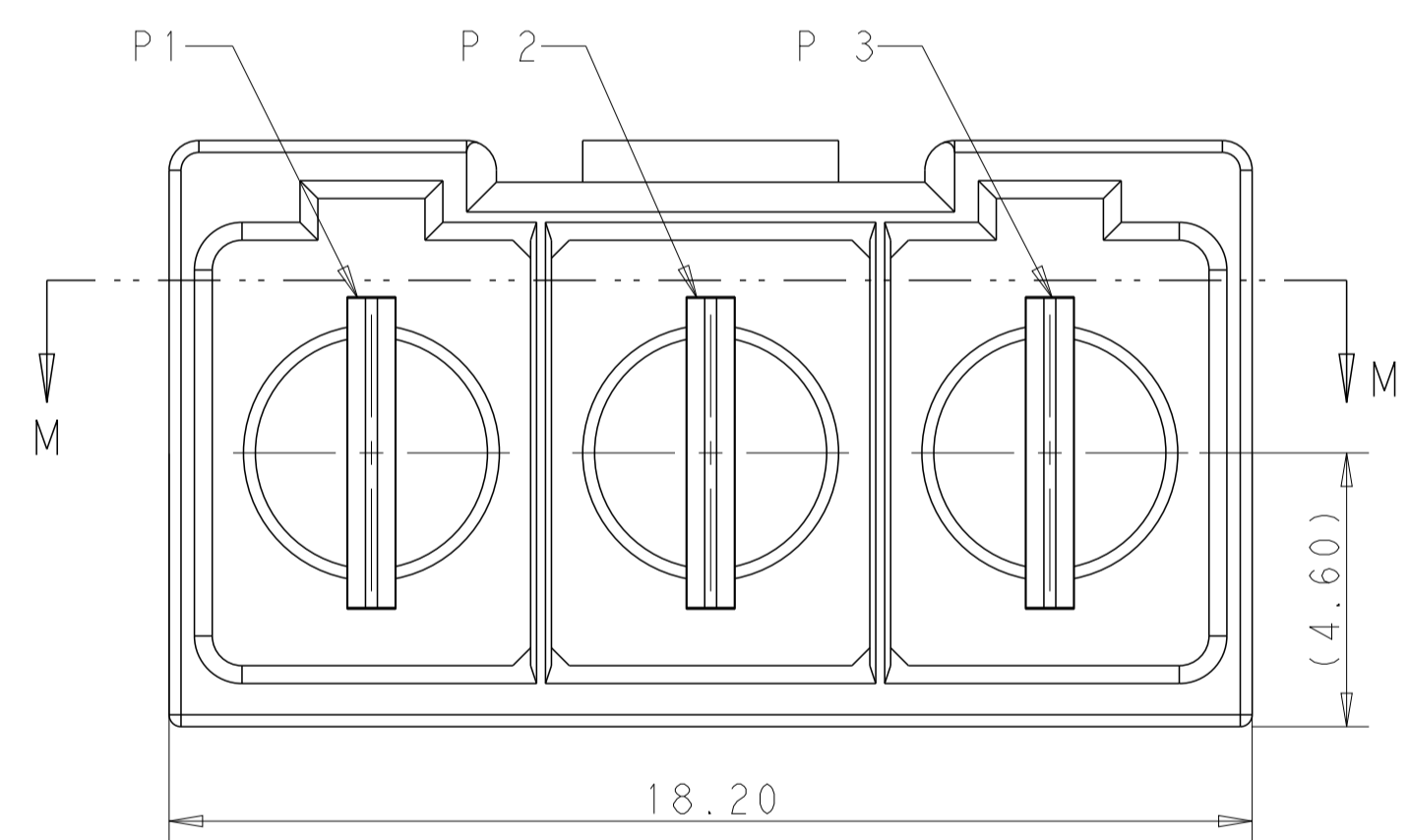


REVISIONS					
P	LTN	DESCRIPTION	DATE	DWN	APVD
B5	ECR-22-132338		10MAR2022	OL	SH



PART NUMBER: 2204585-1



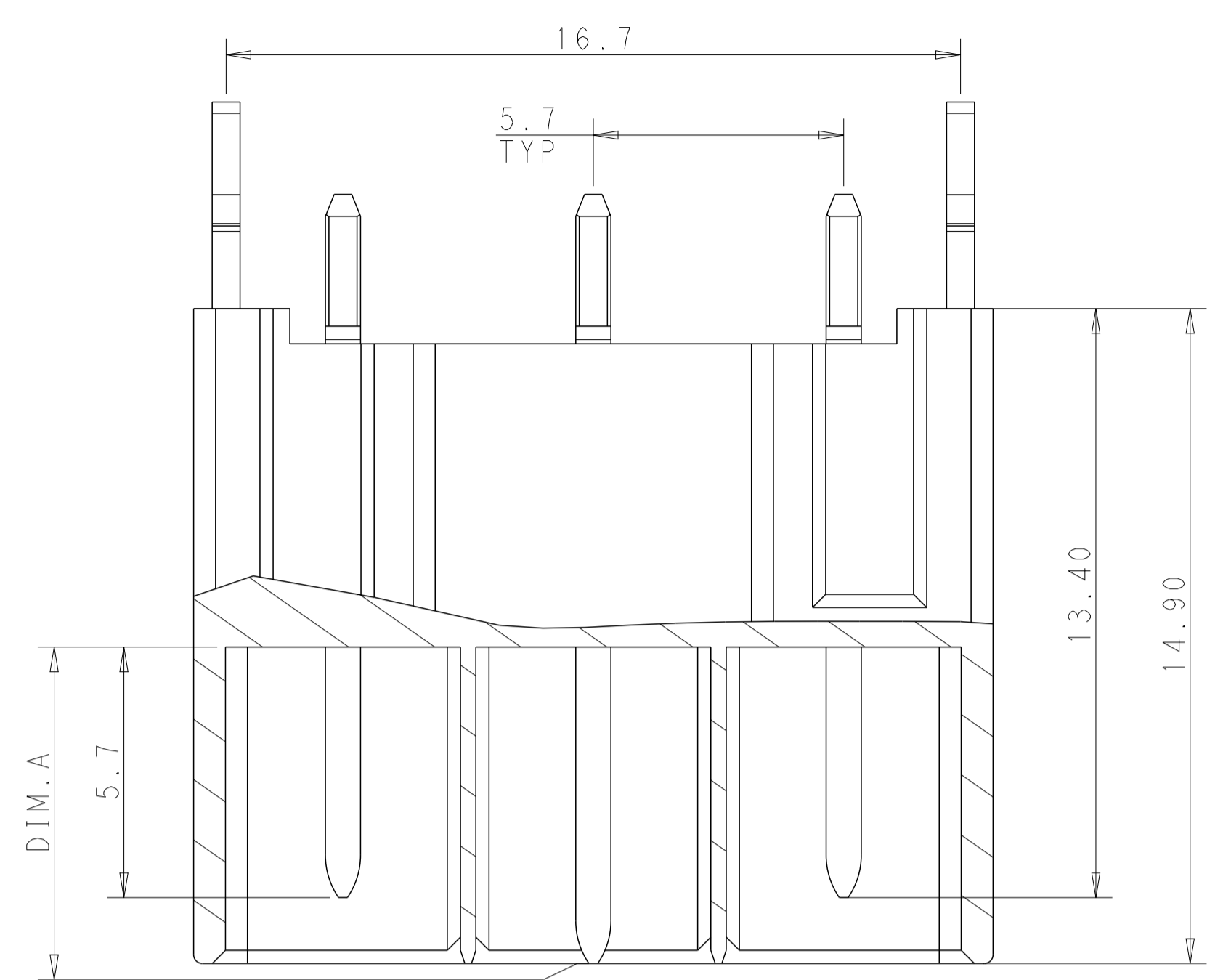
- △ MATERIAL:
HOUSING: LCP BLACK, UL94V-0;
CONTACT AND RETENTION CLIP: COPPER ALLOY
- △ PLATING:
POWER CONTACT: 3um SILVER OVER NICKEL AT CONTACT MATING AREA;
TIN OVER NICKEL AT TAIL AREA
RETENTION CLIP: TIN PLATED
- △ "TE", PART NUMBER AND DATECODE TO BE MARKED IN AREA SHOWN
- △ DATUM AND BASIC DIMENSIONS ESTABLISHED BY CUSTOMER
- △ UNPLATED THROUGH HOLE, REQUIRED FOR SOLDER VERSION ONLY (2204585-2 AND 2204585-4)
- △ PLATED THROUGH HOLE DIMENSIONS.
DRILLED HOLE: $\varnothing 1.6 \pm 0.025$ mm
Cu-THICKNESS: 0.025 TO 0.075 mm
Sn THICKNESS: 0.004 TO 0.010 mm
FINISHED HOLE: $\varnothing 1.39 +0.15/-0.0$ mm

NOT YET TOOLED
NOT YET TOOLED

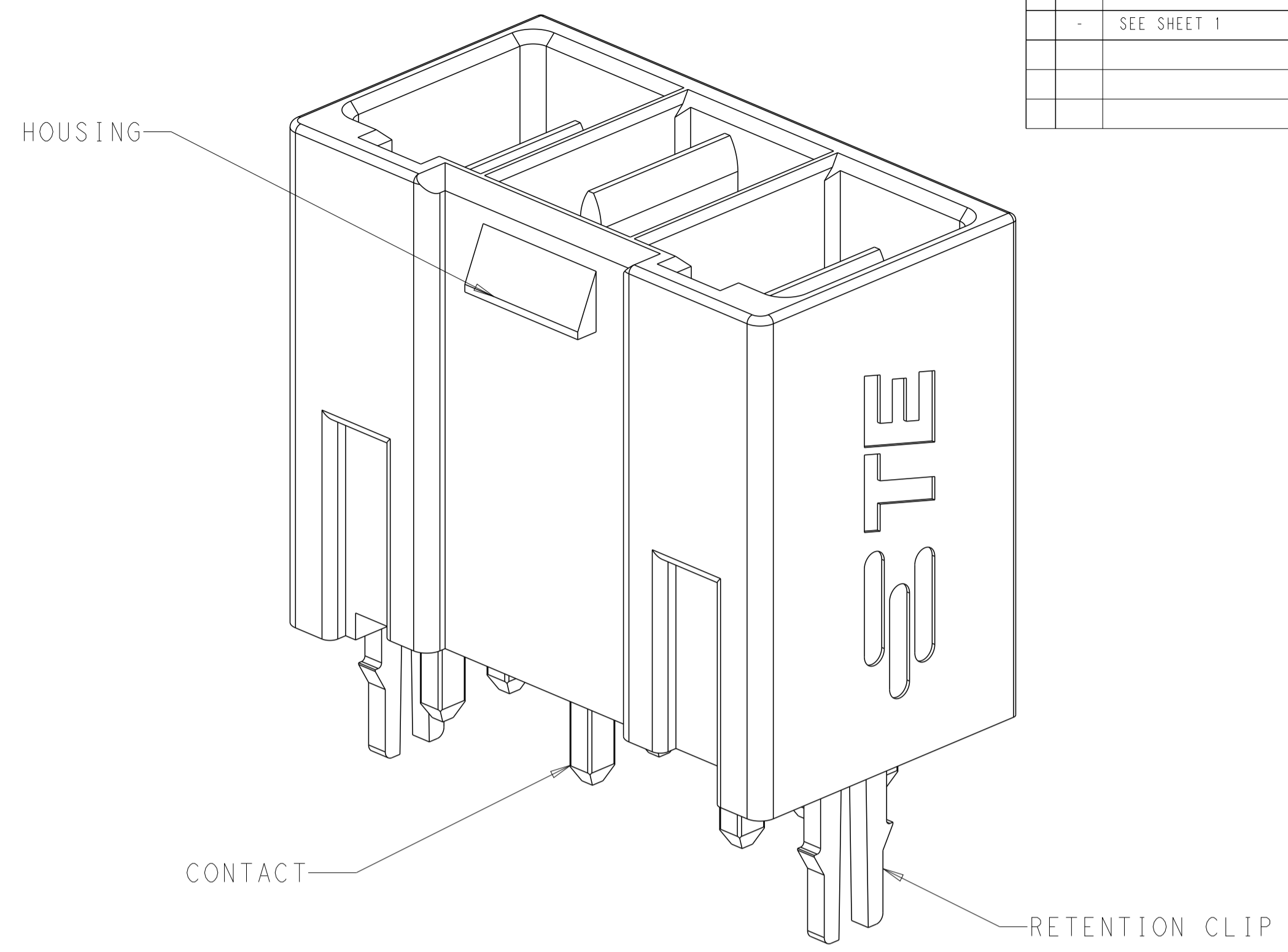
GROUND (7.2mm)	SOLDER	NO	2204585-7
POWER (5.7mm)	SOLDER	YES	2204585-6
POWER (5.7mm)	PRESS-FIT	YES	2204585-5
POWER (5.7mm)	SOLDER	NO	2204585-4
POWER (5.7mm)	PRESS-FIT	NO	2204585-3
GROUND (7.2mm)	SOLDER	NO	2204585-2
GROUND (7.2mm)	PRESS-FIT	NO	2204585-1
MIDDLE CONTACT (DIM.A)	TYPE	PROBE PROOF (SIDE PINS)	PART NUMBER

THIS DRAWING IS A CONTROLLED DOCUMENT.		DWN: SEAN ZHANG 22JUL2015	
		CHK: SUNY ZHAO 22JUL2015	
DIMENSIONS: mm		APVD: SUNY ZHAO 22JUL2015	NAME: 3-POSITION HEADER, VERTICAL ELCON Mini POWER CONNECTOR PRODUCT SPEC: 108-128027 APPLICATION SPEC: 114-128029
TOLERANCES UNLESS OTHERWISE SPECIFIED: 0 PLC ± 1 PLC ±0.5 2 PLC ±0.25 3 PLC ± 4 PLC ± ANGLES ± FINISH ±		SIZE: A1 CAGE CODE: - DRAWING NO: C=2204585 WEIGHT: - CUSTOMER DRAWING	
MATERIAL: SEE NOTES △		RESTRICTED TO: - SCALE: 4:1 SHEET: 1 OF 4 REV: B5	

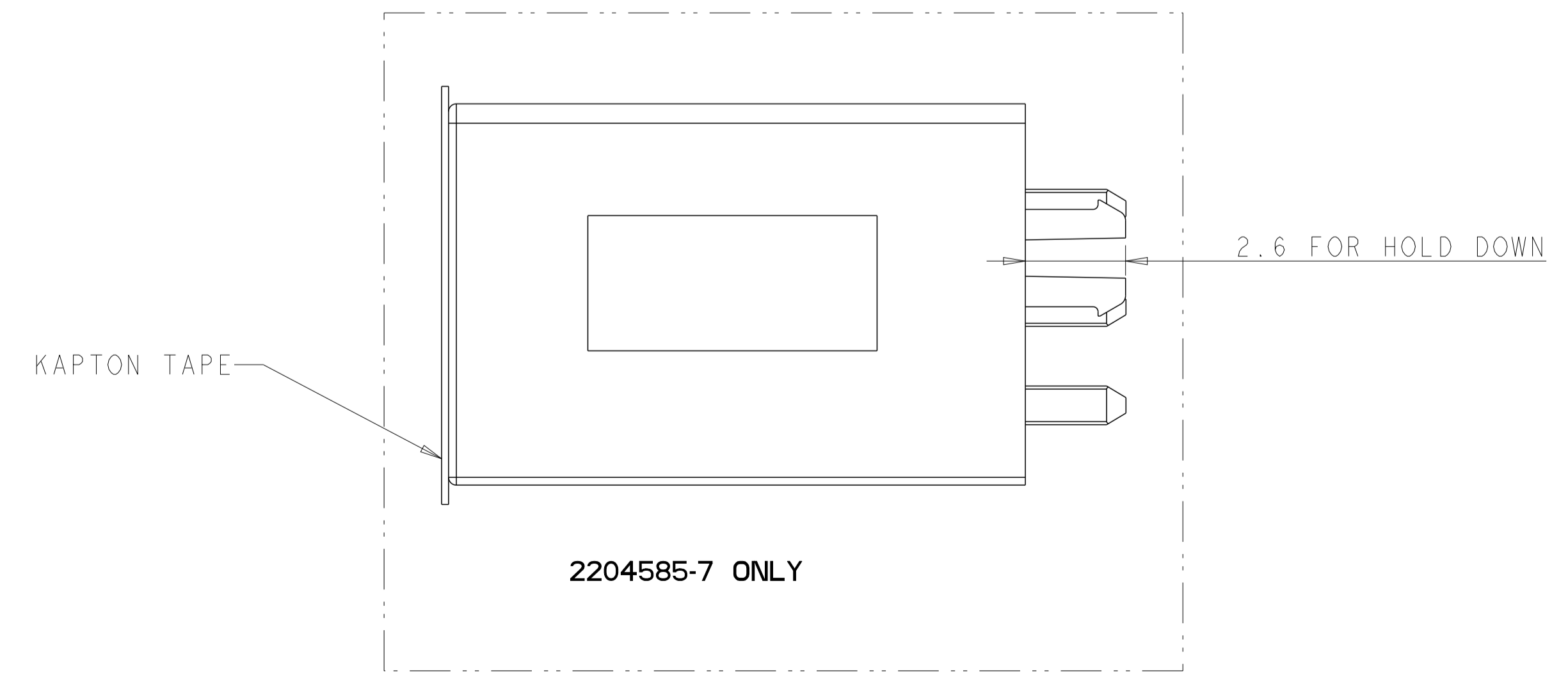
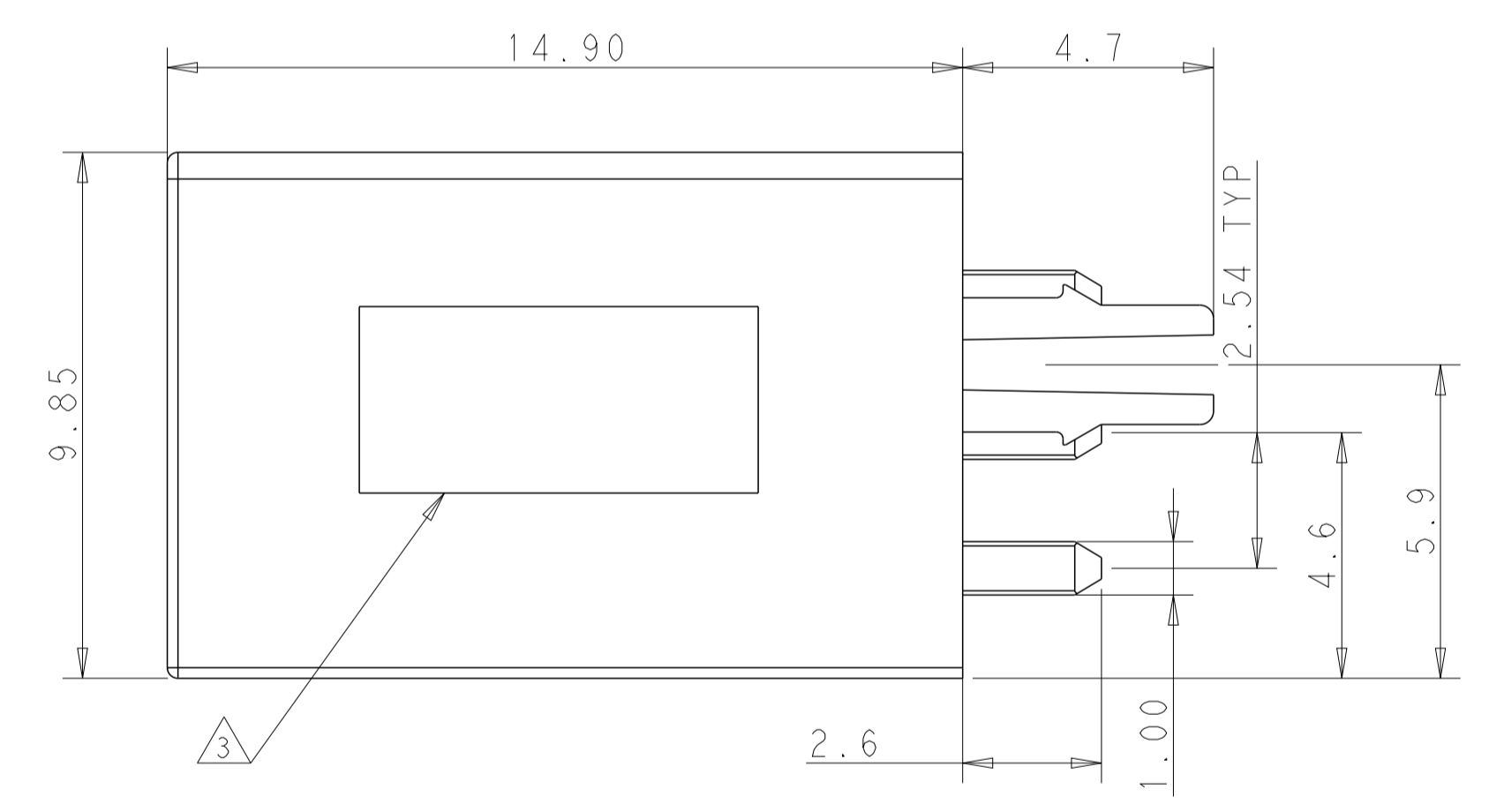
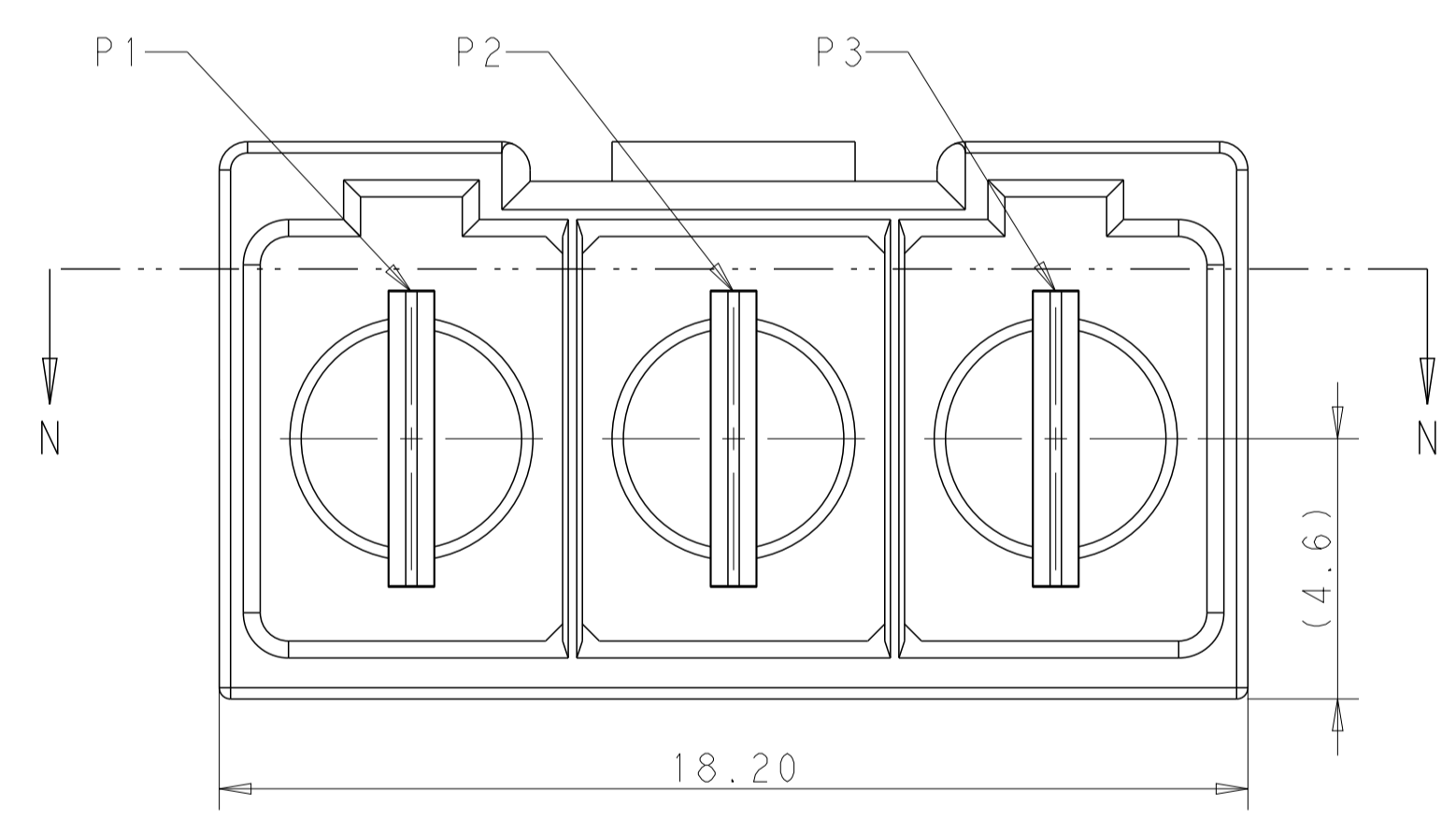
REVISIONS				
P.	LTH	DESCRIPTION	DATE	APVD
-	-	SEE SHEET 1	-	-



SECTION N-N

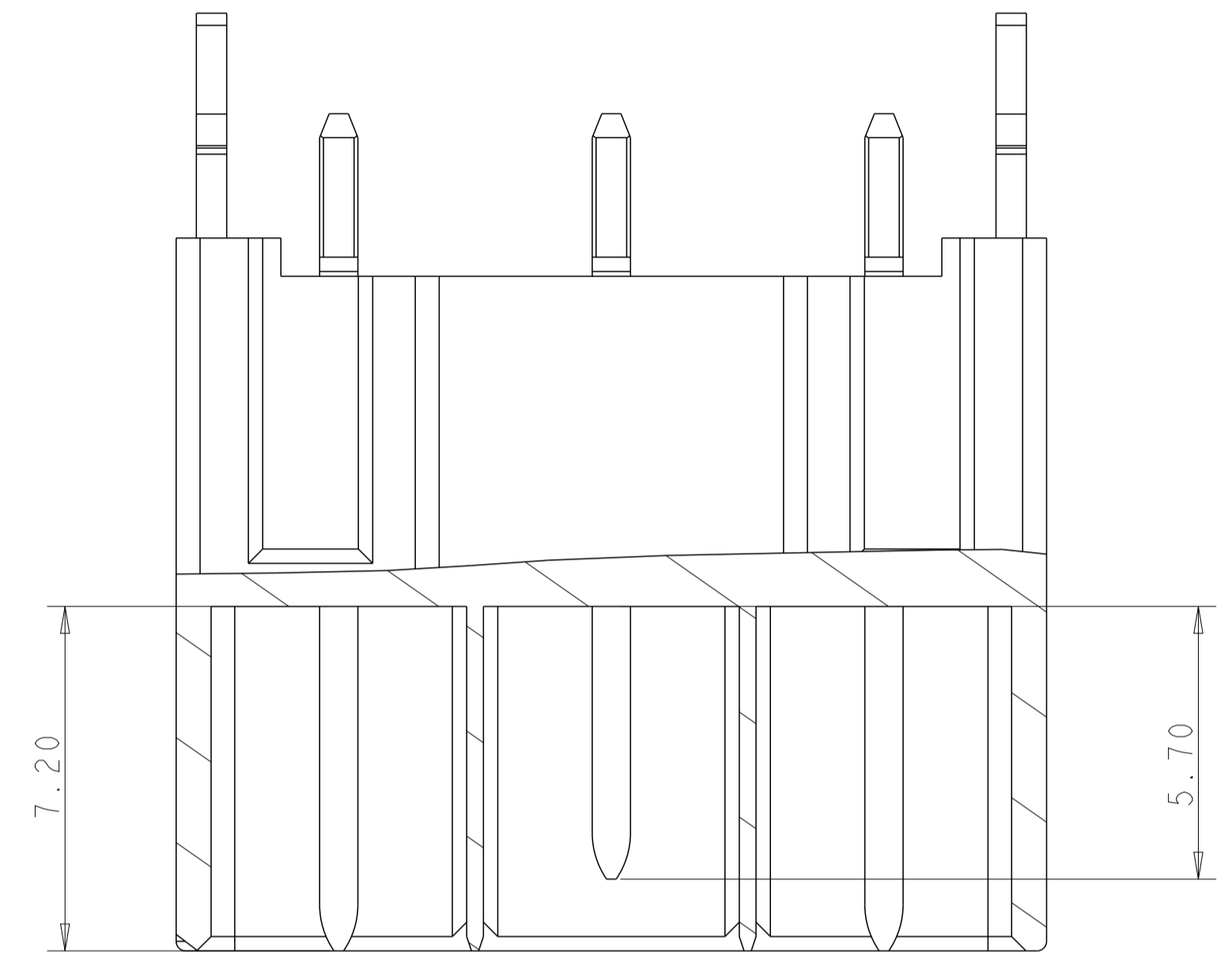


PART NUMBER: 2204585-2

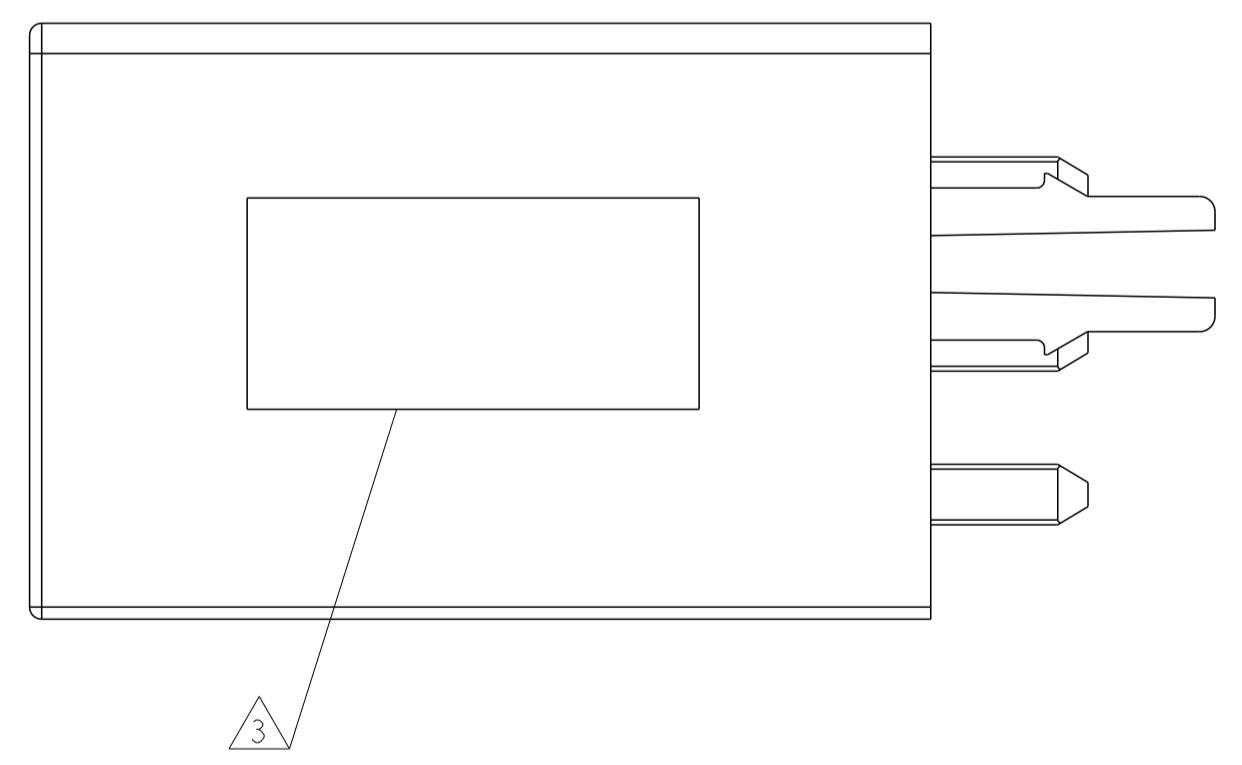
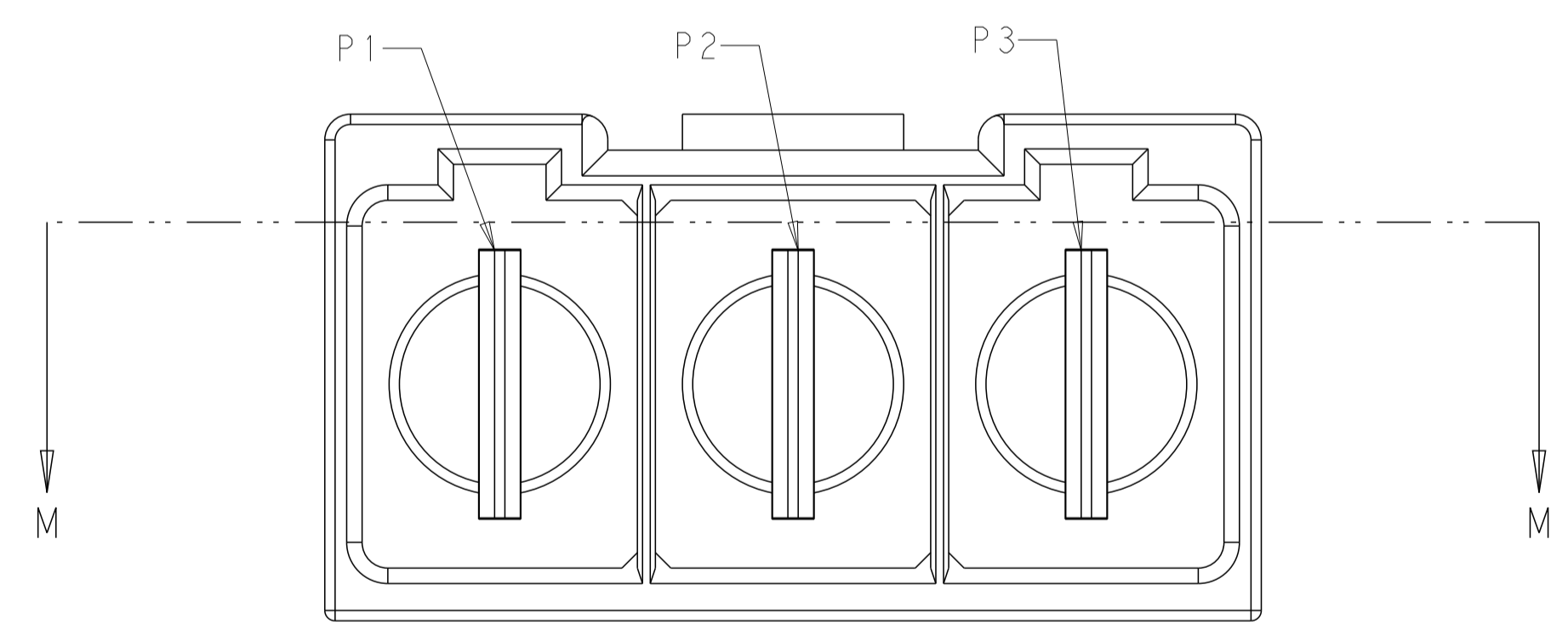
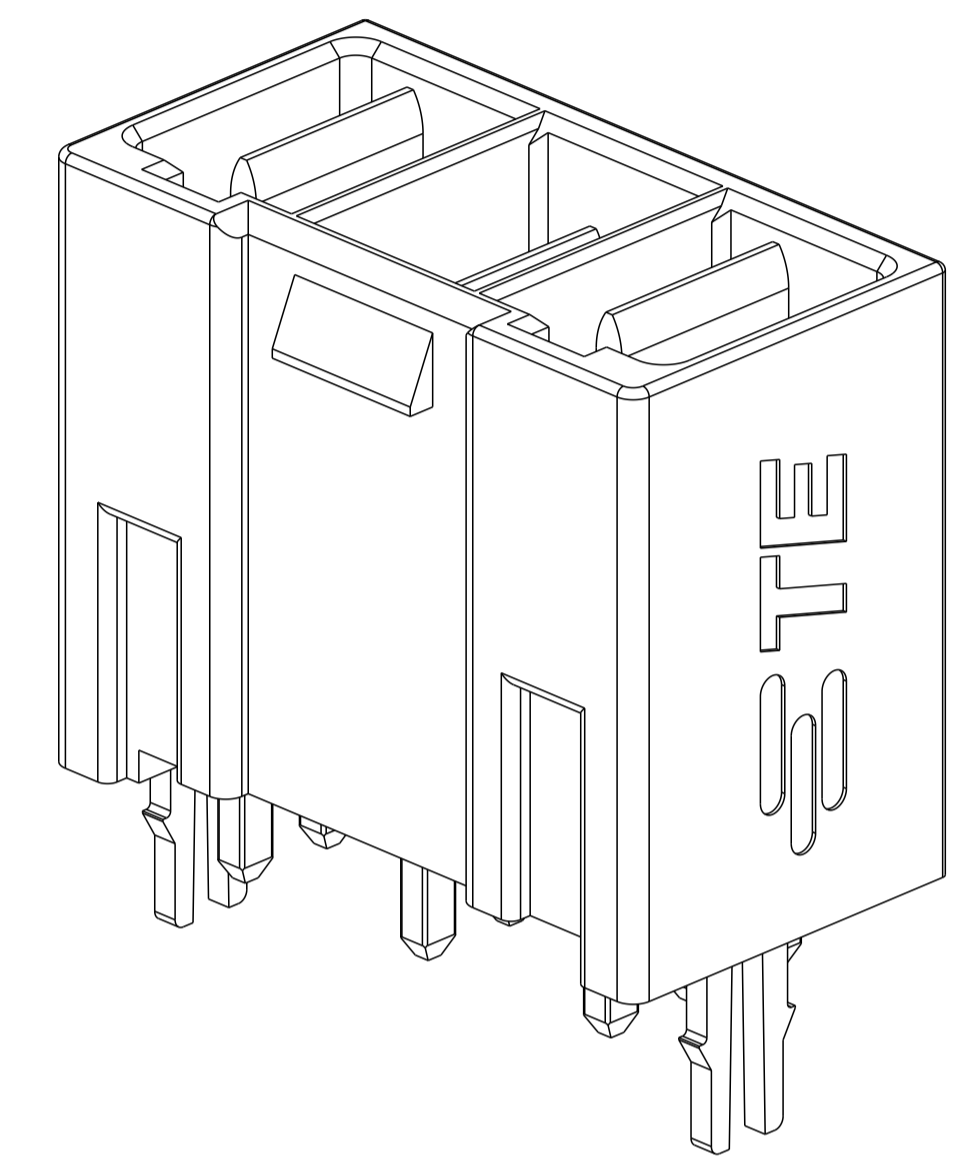


THIS DRAWING IS A CONTROLLED DOCUMENT.		OWN: SEAN_ZHANG 22JUL2015	TE Connectivity
DIMENSIONS: mm		CHK: SUNY_ZHAO 22JUL2015	
TOLERANCES UNLESS OTHERWISE SPECIFIED:		APVD: SUNY_ZHAO 22JUL2015	NAME: 3-POSITION HEADER, VERTICAL ELCON Mini POWER CONNECTOR
0 PLC	±	PRODUCT SPEC	SIZE: A1
1 PLC	±0.5	APPLICATION SPEC	CAGE CODE: -
2 PLC	±0.25	114-128029	DRAWING NO: C=2204585
3 PLC	±	114-128029	RESTRICTED TO: -
4 PLC	±	WEIGHT: -	SCALE: 4:1
ANGLES	±	CUSTOMER DRAWING	SHEET 2 OF 4
FINISH	±		REV: B5

REVISIONS				
P.	LTN	DESCRIPTION	DATE	APVD
-		SEE SHEET 1	-	-



SECTION M-M

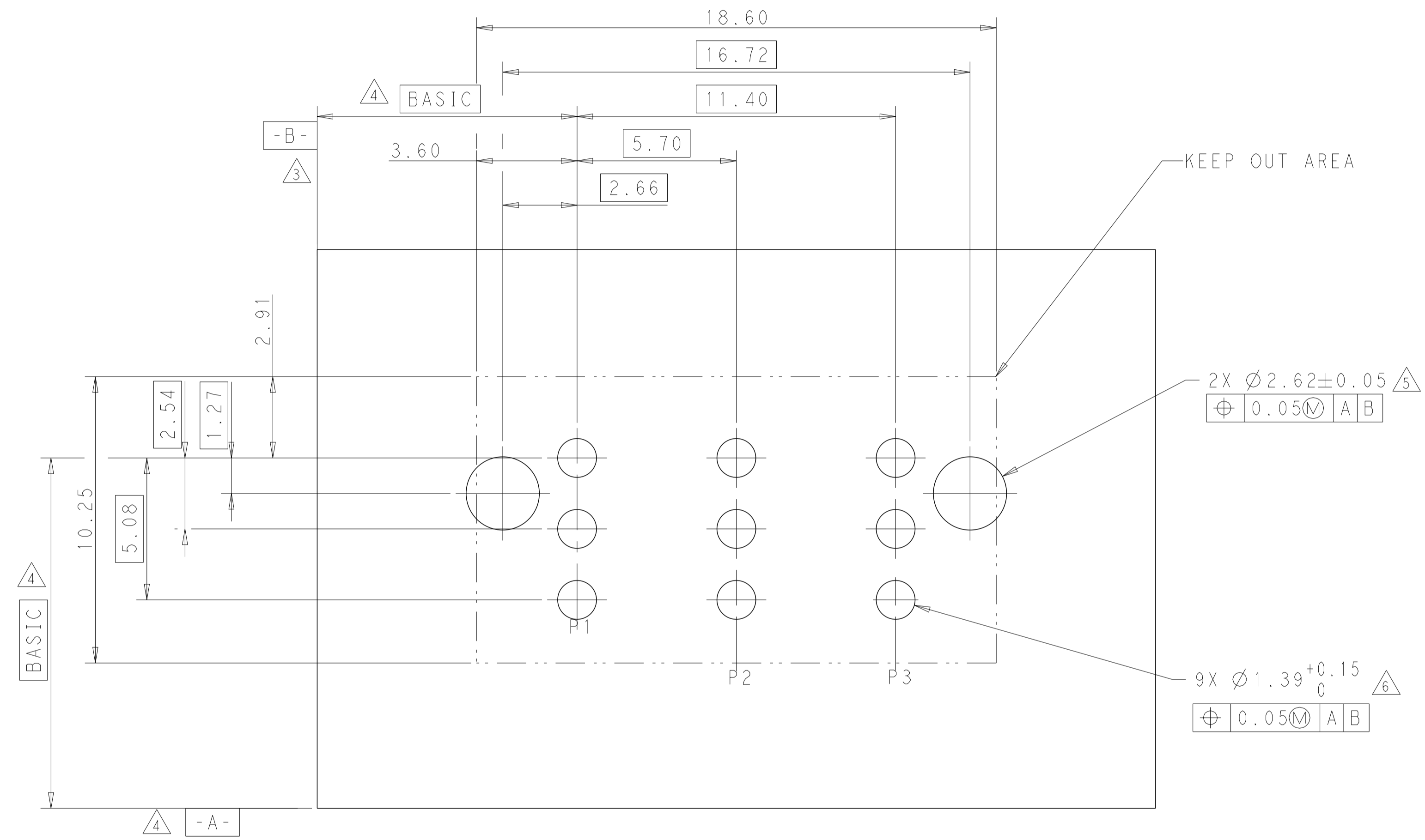


OTHER DIMENSIONS REFER TO SHEET 2

2204585-8

THIS DRAWING IS A CONTROLLED DOCUMENT.		OWN: SEAN ZHANG 22JUL2015	TE Connectivity	
		CHK: SUNY ZHAO 22JUL2015		
DIMENSIONS: mm		APVD: SUNY ZHAO 22JUL2015	NAME: 3-POSITION HEADER, VERTICAL ELCON Mini POWER CONNECTOR	
TOLERANCES UNLESS OTHERWISE SPECIFIED: 0 PLC ± 1 PLC ±0.5 2 PLC ±0.25 3 PLC ± 4 PLC ± ANGLES ± FINISH ±		PRODUCT SPEC: 108-128027	SIZE: A1	
MATERIAL: SEE NOTES		APPLICATION SPEC: 114-128029	CAGE CODE: -	DRAWING NO: C=2204585
SEE NOTES		WEIGHT: -	RESTRICTED TO: -	SCALE: 4:1
CUSTOMER DRAWING		SHEET 3 OF 4		REV B5

REVISIONS				
P.	LTN	DESCRIPTION	DATE	APPD
-	-	SEE SHEET 1	-	-



RECOMMENDED PCB LAYOUT
 VIEW FROM COMPONENT SIDE

THIS DRAWING IS A CONTROLLED DOCUMENT.		OWN: SEAN ZHANG 22JUL2015	TE Connectivity
DIMENSIONS: mm		CHK: SUNY ZHAO 22JUL2015	
TOLERANCES UNLESS OTHERWISE SPECIFIED:		APVD: SUNY ZHAO 22JUL2015	NAME: 3-POSITION HEADER, VERTICAL ELCON Mini POWER CONNECTOR
0 PLC ±	1 PLC ±0.5	PRODUCT SPEC: 108-128027	SIZE: A1
2 PLC ±0.25	3 PLC ±	APPLICATION SPEC: 114-128029	CAGE CODE: -
4 PLC ±	ANGLES ±	WEIGHT: -	DRAWING NO: C=2204585
FINISH	SEE NOTES	CUSTOMER DRAWING	RESTRICTED TO: -
MATERIAL: SEE NOTES	SEE NOTES	SCALE: 4:1	SHEET 4 OF 4
			REV: B5