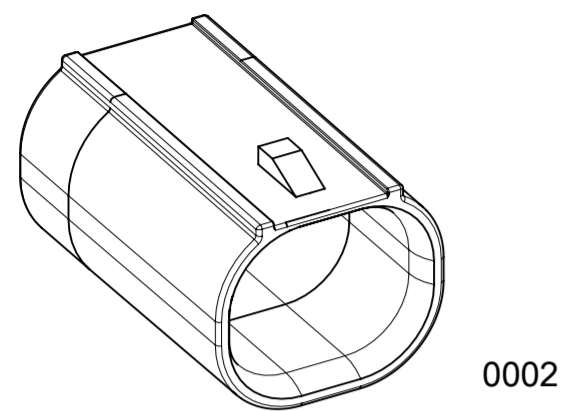
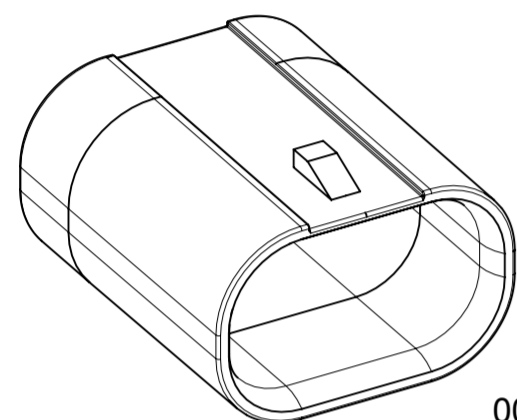


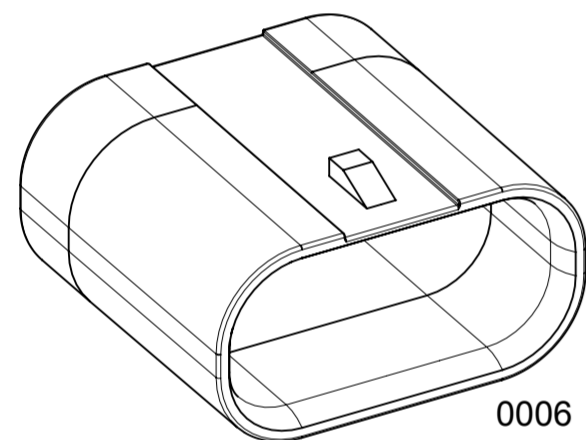
CONFIGURATIONS  
220424-XXXX  
SCALE 3:1



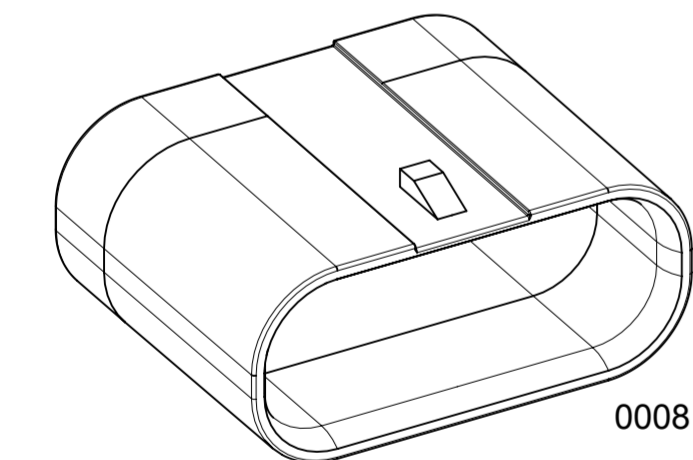
0002



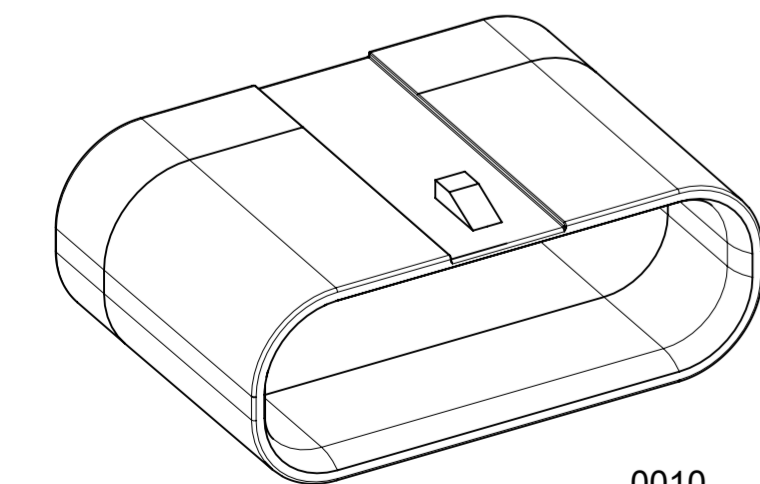
0004



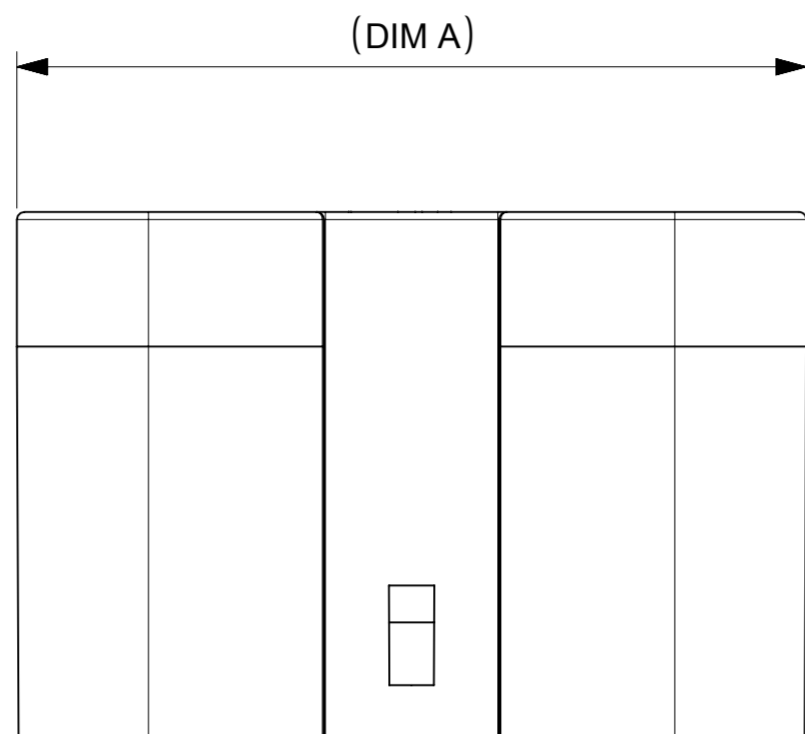
0006



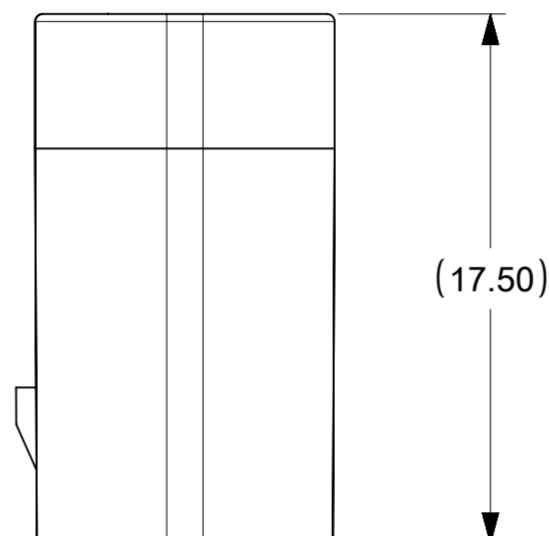
0008



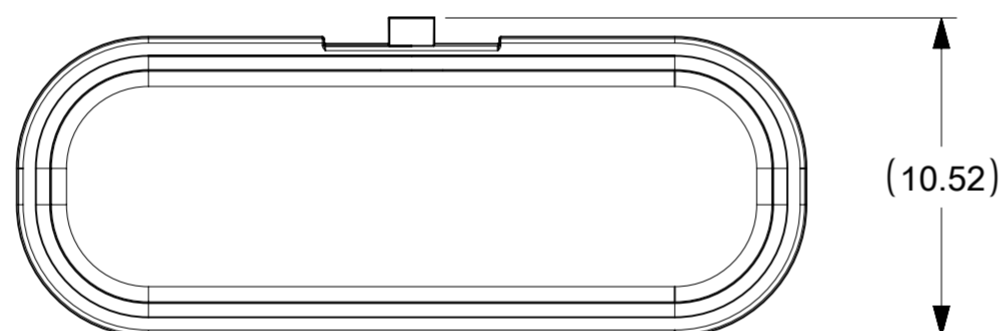
0010



(DIM A)



(17.50)



(10.52)

1. GENERAL:
  - 1.1 PRODUCT SPECIFICATION: 2042200000-PS/ 2077760000-PS
  - 1.2 APPLICATION SPECIFICATION: 2042200000-AS/ 2077760000-AS
  - 1.3 TEST SUMMARY: 2042200000-TS
  - 1.4 PACKAGING SPECIFICATION: 2204240000-PK
  - 1.5 COSMETIC SPECIFICATION: PS-45499-002 CLASS C
  - 1.6 MATES WITH: 204220, 207782 ( SEE TABLE )
2. DESIGN - MATERIALS:
  - 2.1 MATERIAL: PA66 NATURAL, UL94-V0

PART NUMBER	DIM A	SQUBA 1.8	SQUBA 3.6
2204240002	11.60	2 CIRCUIT RECEPTACLE	-
2204240004	15.20	4 CIRCUIT RECEPTACLE	2 CIRCUIT RECEPTACLE
2204240006	18.80	6 CIRCUIT RECEPTACLE	3 CIRCUIT RECEPTACLE
2204240008	22.40	8 CIRCUIT RECEPTACLE	4 CIRCUIT RECEPTACLE
2204240010	25.80	10 CIRCUIT RECEPTACLE	-

FUNCTIONAL SYMBOLS	THIS DRAWING CONTAINS INFORMATION THAT IS PROPRIETARY TO MOLEX ELECTRONIC TECHNOLOGIES, LLC AND SHOULD NOT BE USED WITHOUT WRITTEN PERMISSION			
	DIMENSION UNITS	SCALE	CURRENT REV DESC:	
$\nabla_A = 0$	mm	4:1	EC NO: 732935 DRWN: VENKAS5 2022/07/05 CHK'D: VENKAS5 2022/12/21 APPR: MRAMAKRISHNA 2022/12/22 INITIAL REVISION: DRWN: VENKAS5 2022/07/05 APPR: MRAMAKRISHNA 2022/12/22	
$\nabla_C = 0$	GENERAL TOLERANCES (UNLESS SPECIFIED)			
$\nabla_P = 4$	ANGULAR TOL	± °		
DIVISIONAL SYMBOLS	4 PLACES	±		
	3 PLACES	±	DOCUMENT NUMBER	
	2 PLACES	± 0.25	2204240000-SD	
	1 PLACE	±	DOC TYPE	DOC PART
	0 PLACES	±	PSD	000
	DRAFT WHERE APPLICABLE MUST REMAIN WITHIN DIMENSIONS	THIRD ANGLE PROJECTION	DRAWING	SERIES
			A2-SIZE	220424
			MATERIAL NUMBER	CUSTOMER
			SEE TABLE	GENERAL MARKET
				SHEET NUMBER
				1 OF 1

**molex**

SQUBA RECEPTACLE WEATHER CAP

PRODUCT CUSTOMER DRAWING