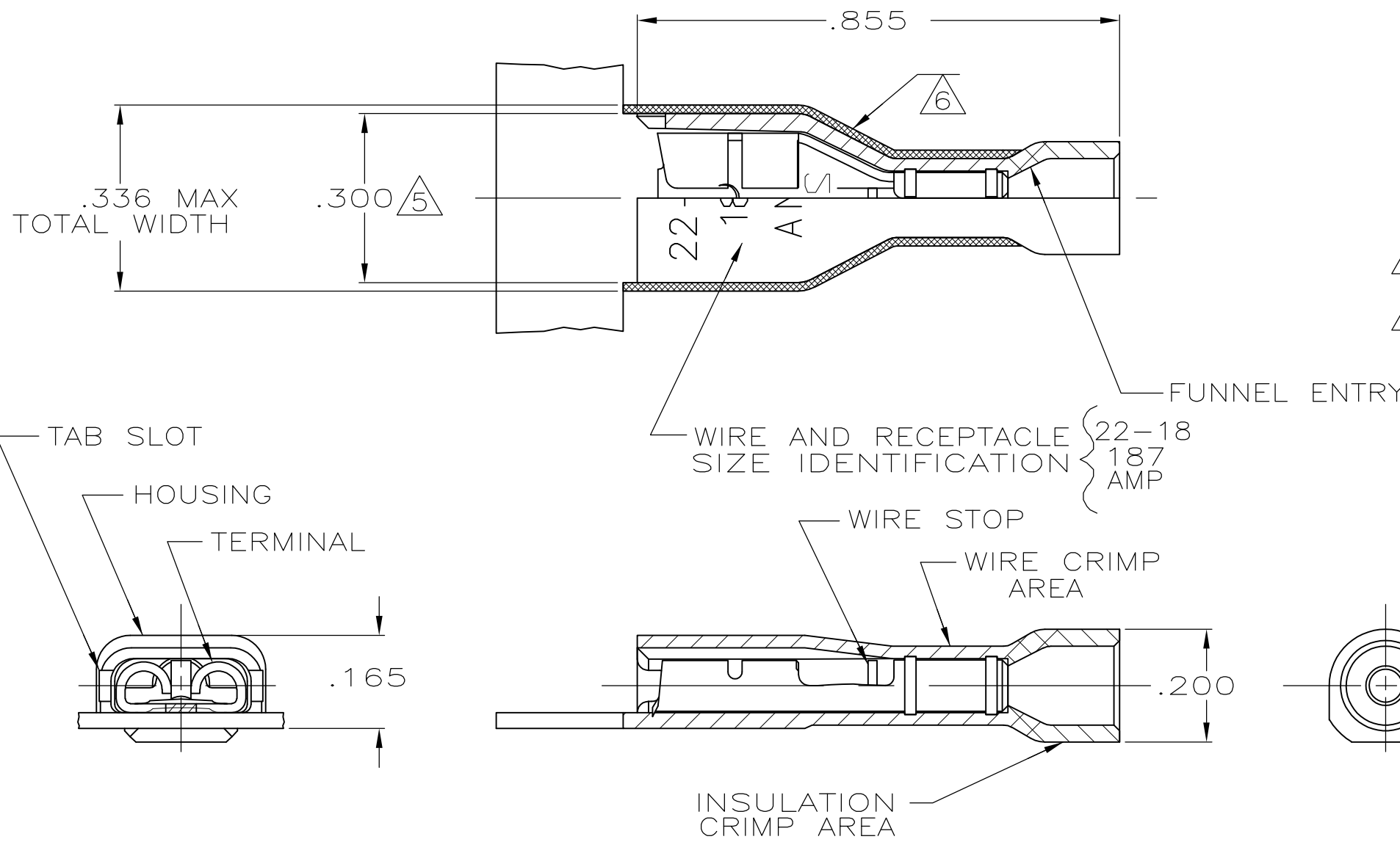


THIS DRAWING IS UNPUBLISHED. RELEASED FOR PUBLICATION  
 © COPYRIGHT - By - ALL RIGHTS RESERVED.

| LOC | DIST | REVISIONS   |                           |         |       |
|-----|------|-------------|---------------------------|---------|-------|
| P   | LTR  | DESCRIPTION | DATE                      | DWN     | APVD  |
| AF  | 50   | N           | REVISED PER ECR-13-004343 | 30JUL13 | KH KR |



- 1 MATES WITH .020±.001x.187 TAB.
- 2 WIRE STRIP LENGTH .281
- 3 INSULATION SIZE .060-.135 DIA
- 4 CONTINUOUS STRIP ON REELS
- △5 DIMENSION DOES NOT INCLUDE TRIM BURR
- △6 .015 MAX CARRIER TRIM BURR PER SIDE IS ALLOWABLE IN THE SHADED AREA

|   |            |
|---|------------|
| HOUSING: NYLON, COLOR-RED TRANSLUCENT<br>RECEPTACLE: BRASS<br>TIN | 2-520401-2 |
| MATERIAL & FINISH   | PART NO    |

|   |                     |                               |  |                    |                        |                    |       |     |       |     |       |        |       |     |
|---|---------------------|-------------------------------|--|--------------------|------------------------|--------------------|-------|-----|-------|-----|-------|--------|-------|-----|
| THIS DRAWING IS A CONTROLLED DOCUMENT.  |                     | DWN<br>P FORTNEY<br>10/31/88  | TE Connectivity<br>NAME<br>RECEPTACLE ASSY, ULTRA-FAST PLUS,<br>.187 SERIES, 22-18 AWG |                    |                        |                    |       |     |       |     |       |        |       |     |
| DIMENSIONS:<br>INCHES   |                     | CHK<br>MS FEHER<br>11/2/88    |  |                    |                        |                    |       |     |       |     |       |        |       |     |
| TOLERANCES UNLESS OTHERWISE SPECIFIED:  |                     | APVD<br>K RANDOLPH<br>11/2/88 |  |                    |                        |                    |       |     |       |     |       |        |       |     |
| <table border="0"> <tr><td>0 PLC</td><td>± -</td></tr> <tr><td>1 PLC</td><td>± -</td></tr> <tr><td>2 PLC</td><td>± -</td></tr> <tr><td>3 PLC</td><td>± .015</td></tr> <tr><td>4 PLC</td><td>± -</td></tr> <tr><td>ANGLES</td><td>± -</td></tr> </table> |                     | 0 PLC                         |  |                    |                        | ± -                | 1 PLC | ± - | 2 PLC | ± - | 3 PLC | ± .015 | 4 PLC | ± - |
| 0 PLC   | ± -                 |                               |  |                    |                        |                    |       |     |       |     |       |        |       |     |
| 1 PLC   | ± -                 |                               |  |                    |                        |                    |       |     |       |     |       |        |       |     |
| 2 PLC   | ± -                 |                               |  |                    |                        |                    |       |     |       |     |       |        |       |     |
| 3 PLC   | ± .015              |                               |  |                    |                        |                    |       |     |       |     |       |        |       |     |
| 4 PLC   | ± -                 |                               |  |                    |                        |                    |       |     |       |     |       |        |       |     |
| ANGLES  | ± -                 |                               |  |                    |                        |                    |       |     |       |     |       |        |       |     |
| MATERIAL<br>SEE TABLE   | FINISH<br>SEE TABLE | APPLICATION SPEC<br>114-2123  | SIZE<br>A3   | CAGE CODE<br>00779 | DRAWING NO<br>C-520401 | RESTRICTED TO<br>- |       |     |       |     |       |        |       |     |
| CUSTOMER DRAWING  |                     |                               | SCALE<br>4:1   | SHEET<br>1 OF 1    | REV<br>N               |                    |       |     |       |     |       |        |       |     |