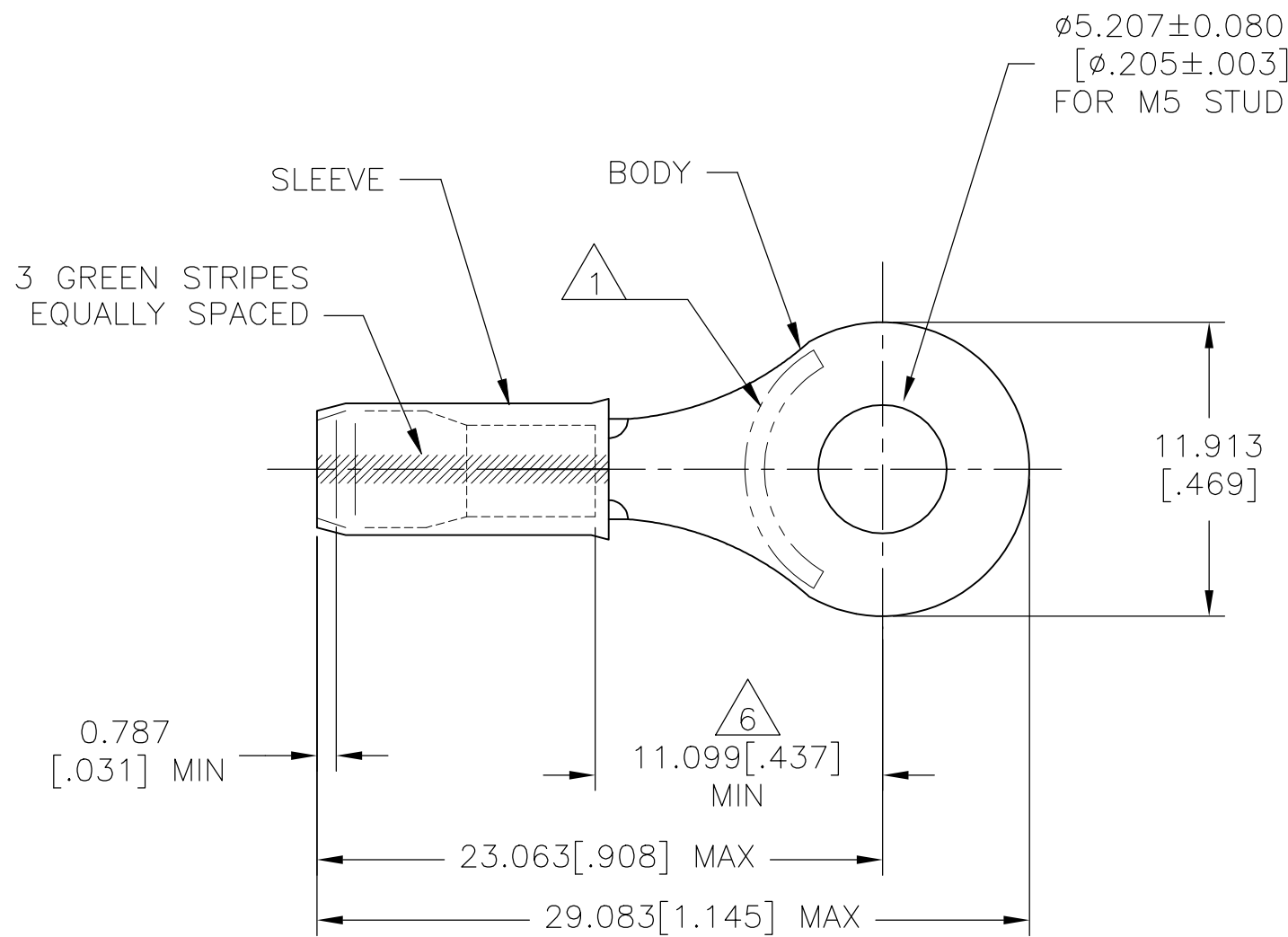



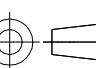

REVISIONS

P	LTR	DESCRIPTION	DATE	DWN	APVD
	B	REVISED PER ECO-14-015277	24FEB2015	NK	DR
	B1	REVISED PER ECO-18-009940	26JUN2018	RS	DR



- 1 STAMP "AMP 16-14\*" LOCATED APPROX AS SHOWN, TERMINAL IS A 14 IR AND ACCEPTS 14AWG, WIRE ONLY.
- 2 MATERIAL: TERMINAL - COPPER PER ASTM B-152, ANNEALED, SLEEVE - NYLON, COLOR BLUE.
- 3 FINISH: TERMINAL - 0.00254[.000100] MIN TIN PLATE PER ASTM B-545.
- 4 WIRE INSULATION DIA 1.981-3.302[.078-.130].
- 5 TONGUE MATERIAL THK: 0.787±0.051[.031±.002].
- 6 DIMENSION APPLIES FROM EDGE OF WIRE BARREL TO CENTER OF STUD HOLE.
- 7 MAX RECOMMENDED OPERATING TEMP 105°C[221°F].
- 8 VOLTAGE RATING IS 300 V MAX.
- 9 1.65-2.62mm<sup>2</sup> [3,260-5,180] CMA, STRANDED.

1000	LOOSE PIECE	134122-1
QTY	PACKAGING TYPE	PART NO

THIS DRAWING IS A CONTROLLED DOCUMENT.		DWN JR RUTH 19OCT07	 TE Connectivity Ltd.	
DIMENSIONS: mm [INCHES]		CHK T MICHELUTTI 19OCT07		
TOLERANCES UNLESS OTHERWISE SPECIFIED:		APVD T MICHELUTTI 19OCT07	NAME TERMINAL, RING TONGUE, I.R., PIDG, WIRE SIZE 14 AWG	
0 PLC ± - 1 PLC ± - 2 PLC ± - 3 PLC ± 0.20[.008] 4 PLC ± - ANGLES ± -		PRODUCT SPEC -	RESTRICTED TO -	
MATERIAL		FINISH	SIZE A3	CAGE CODE B
 2		 3	DRAWING NO C-134122	SCALE 4:1
CUSTOMER DRAWING		WEIGHT -	SHEET 1 OF 1	REV B1