

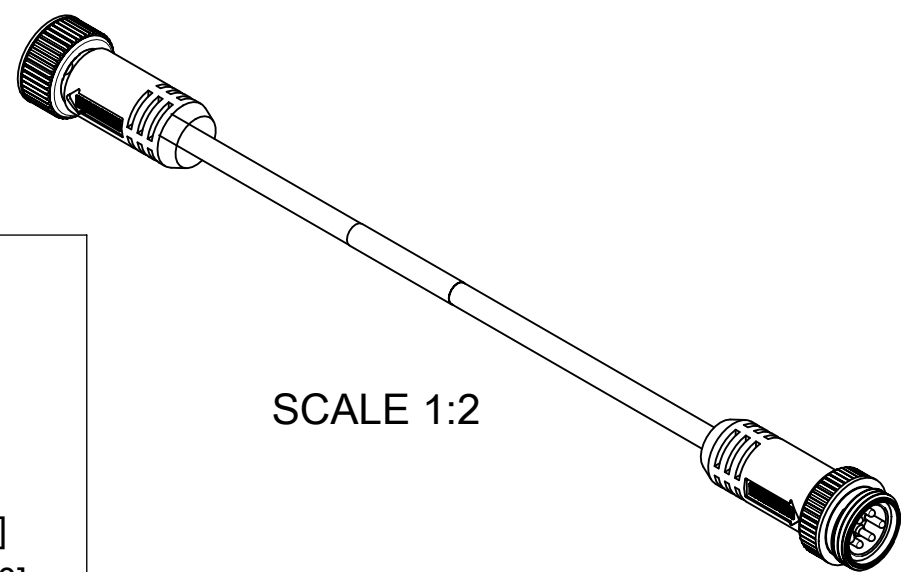
MATERIAL NO.	ENGINEERING NO.	FINISHED LENGTH
1300101242	115030A01F010	1FT (0.3M)
1300101717	115030A01M420	137FT 9.5IN (42M)
1300101699	115030A01M670	219FT 9.8IN (67M)

**PART NO. MATRIX**  
115030A01-M005

FINISHED LENGTH  
F020=2 FEET  
F200=20 FEET  
M005= 0.5 METER  
M010= 1 METER  
M100= 10 METER

**CABLE LENGTH TOLERANCES**

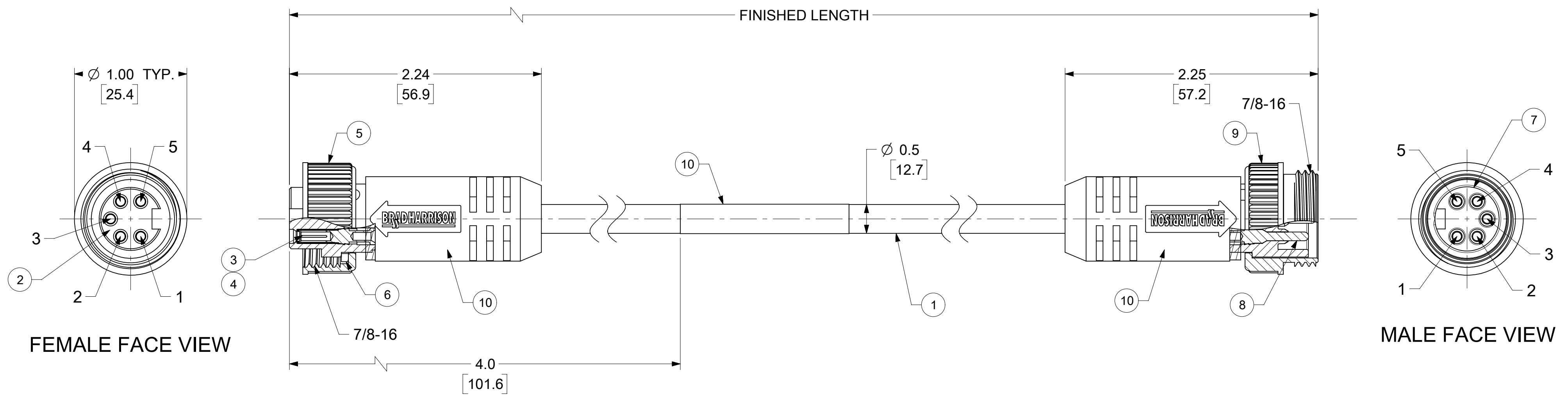
<.3M [1FT]	+19mm-0 [+0.75in-0]
.3 - .9M [1 - 3FT]	+44.5mm-0 [+1.75in-0]
.9 - 1.8M [3 - 6FT]	+55.6mm-0 [+2.19in-0]
1.8 - 3.7M [6 - 12FT]	+88.9mm-0 [+3.50in-0]
3.7 - 7.3M [12 - 24FT]	+165.1mm-0 [+6.50in-0]
7.3-14.6M [24 - 48FT]	+317.5mm-0 [+12.50in-0]
14.6 - 30.5M [48-100FT]	+622.3mm-0 [+24.50in-0]
OVER 30M [100FT]	+2% OF FINISHED LENGTH



- NOTES:**
- MATERIAL: AS NOTED
  - FINISH: AS NOTED
  - ELECTRICAL SPECIFICATIONS  
VOLTAGE RATING: 400V PER IEC60664  
600V PER UL2238  
CURRENT RATING: 8A
  - TEMP RANGE: -20°C TO +105°C
  - PROTECTION: IP67 (WHEN MATED)
  - UL RECOGNIZED FILE: E152210  
CSA CERTIFIED FILE: LR6837
  - ALL DIMS ARE FOR REFERENCE UNLESS TOLERANCED OR NOTED OTHERWISE

**WIRING DIAGRAM**

1	WHITE	1
2	RED	2
3	GREEN/YELLOW	3
4	ORANGE	4
5	BLACK	5



11	LABEL	VINYL	BLACK/YELLOW
10	OVERMOLD	TPE	YELLOW
9	COUPLING NUT, MALE	ZINC DIE-CAST	BLACK E-COAT
8	CONTACT PIN	COPPER ALLOY	SELECTIVE GOLD/NICKEL
7	MALE INSERT	TPE	YELLOW
6	FRICITION RING	NYLON	NATURAL
5	COUPLING NUT, FEMALE	ZINC DIE-CAST	BLACK E-COAT
4	SLEEVE	STAINLESS STEEL	-
3	CONTACT SOCKET	COPPER ALLOY	SELECTIVE GOLD/NICKEL
2	FEMALE INSERT	TPE	YELLOW
1	CABLE, 16/5 AWG	PVC JACKET	YELLOW
ITEM	DESCRIPTION	MATERIAL	FINISH

THIS DRAWING CONTAINS INFORMATION THAT IS PROPRIETARY TO MOLEX ELECTRONIC TECHNOLOGIES, LLC AND SHOULD NOT BE USED WITHOUT WRITTEN PERMISSION

DIMENSION UNITS	SCALE	CURRENT REV DESC: INITIAL RELEASE, PVC CHANGED TO TPE	<b>molex</b>		
INCH/MM	1.5:1				
GENERAL TOLERANCES (UNLESS SPECIFIED)			MINI-CHANGE CORDSET, A SIZE 5 POLE, MALE-FEMALE, STRAIGHT, SINGLE KEY, 16 AWG		
4 PLACES	±	±	EC NO: 648668	PRODUCT CUSTOMER DRAWING	
3 PLACES	±	±	DRWN: VASUTHKARP 2020/10/14	DOCUMENT NUMBER	DOC TYPE   DOC PART   REVISION
2 PLACES	±	±	CHK'D: RSTONE 2020/11/11	1300101253	PSD 000 A
1 PLACE	±	±	APPR: BWOODMAN 2020/11/18	MATERIAL NUMBER	CUSTOMER
0 PLACES	±	±	INITIAL REVISION:	SEE TABLE	GENERAL MARKET
ANGULAR TOL	±	°	DRWN: VASUTHKARP 2020/10/14		
DRAFT WHERE APPLICABLE MUST REMAIN WITHIN DIMENSIONS			APPR: BWOODMAN 2020/11/18	SHEET NUMBER	1 OF 1
THIRD ANGLE PROJECTION			DRAWING	SERIES	
			C-SIZE	130010	

PART NO.	ENGINEERING NO.	FINISHED LENGTH
1300100863	114030K12M005	0.5M
1300100864	114030K12M010	1.0M
1300100865	114030K12M020	2.0M

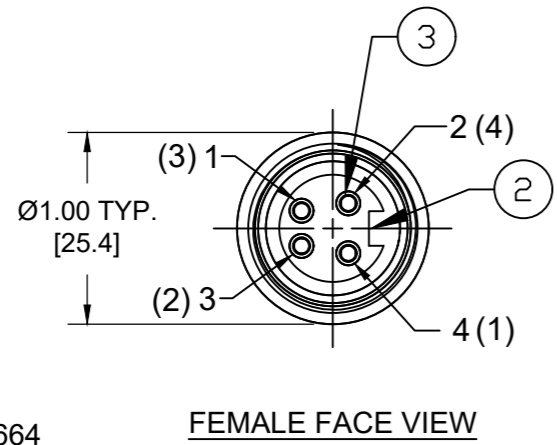
- NOTES:
- MATERIAL: SEE TABLE
  - FINISH: SEE TABLE
  - ELECTRICAL:  
VOLTAGE: 483V PER IEC 60664  
600V PER UL 2238  
CURRENT: 10A (E)
  - TEMP RATING: -20°C TO +90°C
  - PROTECTION: IP67 (WHEN MATED)
  - COUPLING THREAD: 7/8-16
  - UL LISTED FILE: E152210
  - ALL DIMENSIONS ARE FOR REFERENCE UNLESS TOLERANCED OR NOTED OTHERWISE
  - PARTS WITH "H" IN MATRIX HAVE TWO ID CARRIERS ONE ON EACH SIDE

MECHANICAL CHARACTERISTICS:

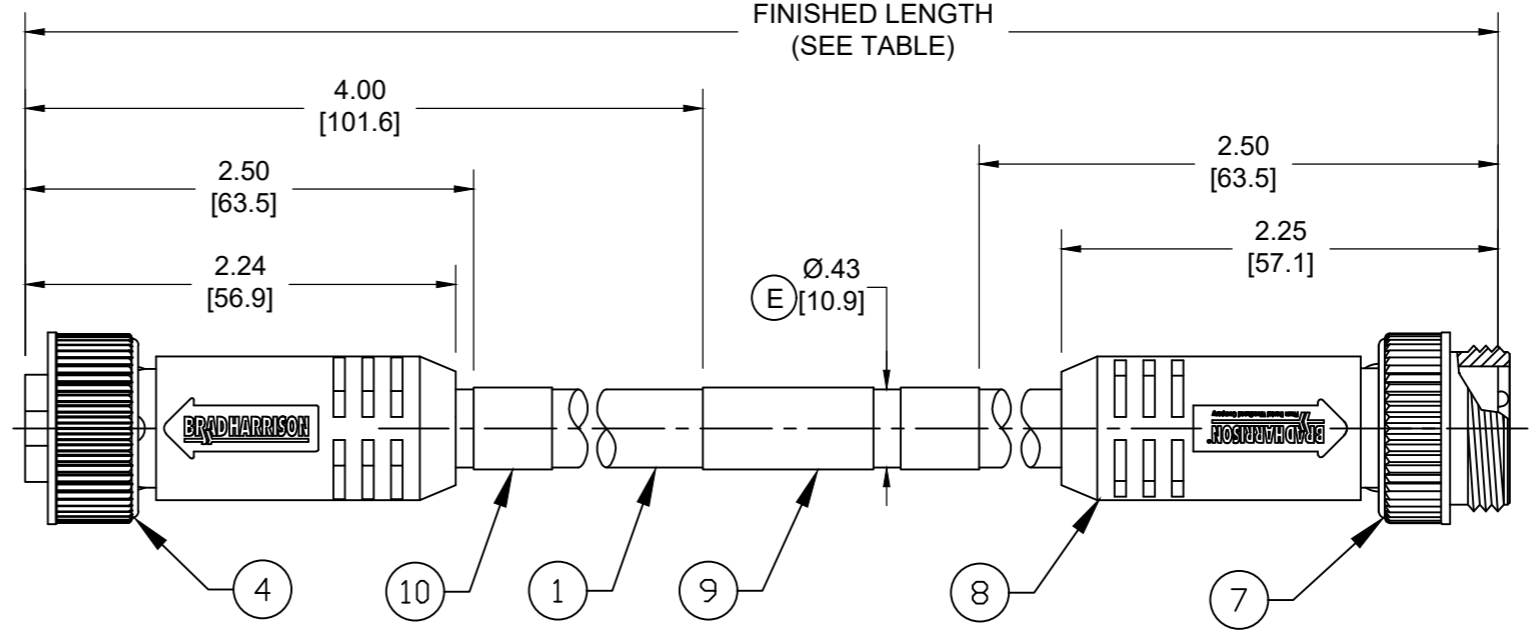
TORSIONAL FLEX TEST	20 MILLION CYCLES PER MIL-C-13777G
BEND FLEX TEST	20 MILLION CYCLES PER MIL-C-13777G
WELD SLAG RESISTANCE	WOODHEAD STANDARD S-300

ITEM	COMPONENT	MATERIAL	FINISH
10	ID CARRIER	PVC	CLEAR
9	WRAP LABEL	VINYL	BLACK/YELLOW
8	OVERMOLD	TPE	YELLOW
7	COUPLING, MALE	ZINC DIE-CAST	BLACK
6	CONTACT PIN	COPPER ALLOY	GOLD PLATED
5	MALE INSERT (A-SIZE)	TPE	YELLOW
4	COUPLING, FEMALE	ZINC DIE-CAST	BLACK
3	CONTACT SOCKET	COPPER ALLOY	GOLD PLATED
2	FEMALE INSERT (A-SIZE)	TPE	YELLOW
1	CABLE, 16/4 TC-ER (HI-FLEX)	TPE JACKET	YELLOW

DOCUMENT STATUS | P1 | RELEASE DATE | 2020/10/21 19:11:24



FEMALE FACE VIEW

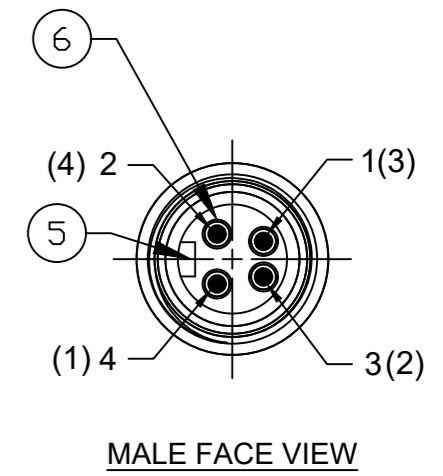


CENELEC EN 50 044 PINOUT SHOWN (SAE-J-1738A SHOWN IN PARENTHESIS)

4 (1)	BLACK	4 (1)
3 (2)	BLUE	3 (2)
1 (3)	BROWN	1 (3)
2 (4)	WHITE	2 (4)

PART NO. MATRIX  
114030K12XXXXH

LENGTH | ID CARRIER  
M010 = 1 METER | H - SEE NOTE 8  
M100 = 10 METER | BLANK - NO ID CARRIERS  
F050 = 5 FEET  
F500 = 50 FEET  
T=100 METER  
T001 = 101 METER  
T010 = 110 METER



MALE FACE VIEW

CABLE LENGTH TOLERANCES

<.3M [1FT]:	+19mm-0 [+0.75in-0]
.3 - .9M [1 - 3FT]:	+44.5mm-0 [+1.75in-0]
.9 - 1.8M [3 - 6FT]:	+55.6mm-0 [+2.19in-0]
1.8 - 3.7M [6 - 12FT]:	+88.9mm-0 [+3.50in-0]
3.7 - 7.3M [12 - 24FT]:	+165.1mm-0 [+6.50in-0]
7.3-14.6M [24 - 48FT]:	+317.5mm-0 [+12.50in-0]
14.6 - 30.5M [48-100FT]:	+622.3mm-0 [+24.50in-0]
OVER 30M [100FT]	+2% OF FINISHED LENGTH

FUNCTIONAL SYMBOLS		THIS DRAWING CONTAINS INFORMATION THAT IS PROPRIETARY TO MOLEX ELECTRONIC TECHNOLOGIES, LLC AND SHOULD NOT BE USED WITHOUT WRITTEN PERMISSION		CURRENT REV DESC: UPDATED AMPERAGE AND TEMPLATE			
$F=0$	INCH/MM	SCALE	NTS				
$E=0$	GENERAL TOLERANCES (UNLESS SPECIFIED)		EC NO: 646474 DRWN: ALEON01 2020/10/14 CHK'D: CCHRSTKA 2020/10/19 APPR: BWOODMAN 2020/10/21				
$P=0$	4 PLACES	±---	±---			PRODUCT CUSTOMER DRAWING DOCUMENT NUMBER: SD-130010-016   DOC TYPE: PSD   DOC PART: 001   REVISION: E	
DIVISIONAL SYMBOLS	3 PLACES	±---	±---			INITIAL REVISION: DRWN: VOU 2012/01/19 APPR: JFMURPHY 2012/03/08	
DRAFT WHERE APPLICABLE MUST REMAIN WITHIN DIMENSIONS		ANGULAR TOL ± --- °	THIRD ANGLE PROJECTION	DRAWING	SHEET NUMBER		
				B-SIZE	130010		
				SEE CHART	GENERAL MARKET		
					1 OF 1		